

BOXES  
VAULTS  
TRANSFORMER  
& EQUIPMENT  
PADS



780 West Granada Blvd., Suite 300  
Ormond Beach, FL 32174  
Phone: 386-615-9510 Fax: 386-615-9606  
[www.cdrsistemas.com](http://www.cdrsistemas.com)  
e-mail: [cdrsales@hps.hubbell.com](mailto:cdrsales@hps.hubbell.com)



©Copyright 2010 Hubbell Incorporated

NOTE: Because Hubbell has a policy of continuous product improvement, we reserve the right to change design and specifications without notice.

Bulletin CDR-1  
FEBRUARY 2010



## **UNDERGROUND ENCLOSURE PERFORMANCE SPECIFICATIONS**

Enclosures, boxes and covers are required to conform to all test provisions of the most current ANSI/SCTE 77 "Specification For Underground Enclosure Integrity" for Tier \_\_\_\_\_(Specify Tier 5, 8, 15 and/or 22) applications. When multiple "Tiers" are specified the boxes must physically accommodate and structurally support compatible covers while possessing the highest Tier rating. All covers are required to have the Tier level rating embossed on the surface. In no assembly can the cover design load exceed the design load of the box. Independent third party verification or test reports stamped by a registered Professional Engineer certifying that all test provisions of this specification have been met are required with each submittal.



# Table of Contents



Description	Page Number	Description	Page Number
<b>Underground Enclosure Performance Specifications</b> .....	1	<b>Corrugated Wall Assemblies (continued)</b>	
<b>National Electric Code, ANSI/SCTE 77</b> .....	3	48" x 78" .....	108-110
<b>Enclosure Selection Guide</b>		48" x 96" .....	111-113
Based on load ratings .....	4	48" x 144" .....	114-116
Selection and placement in non-deliberate		78" x 96" .....	117-118
vehicular traffic applications .....	5-6	96" x 96" .....	119-120
<b>Quick Assembly Vault</b> .....	7-8	<b>Round Enclosure Assemblies</b>	
<b>Service Boxes and Vaults</b>		2000 .....	122
Introduction to Service Boxes and Vaults .....	9	2700 .....	123
"Build A Part" Number System .....	10	3200 .....	124
Most Popular Assemblies .....	11	3900 .....	125-126
<b>Straight Wall and Flared Wall Assemblies</b>		<b>Special Purpose Section</b>	
6" x 8" .....	13-14	Underground Distribution Switchgear Enclosure .....	128
10" x 15" Straight Wall .....	15-16	Torsion Assist Box Assemblies .....	129-130
10" x 15" Flared Wall .....	17-18	Replacement Covers .....	131
11" x 18" Straight Wall .....	19-20	Cable Trench Covers .....	132
11" x 18" Flared Wall .....	21-22	Median Barrier Assembly .....	133
11" x 21" Straight Wall .....	23	Traffic Signal Cabinet Work Pad .....	134
11" x 32" Straight & Flared Wall .....	24-25	Plastic Rectangular Box Assembly .....	135
12" x 12" Straight Wall & Flared Wall .....	26-27	Plastic Round Enclosure Assembly .....	136
13" x 24" Straight Wall .....	28-29	<b>Pads and Box Pads</b>	
13" x 24" Flared Wall .....	30-31	"Build A Part" Number System .....	138
15" x 17" Straight Wall .....	32-33	Power and Telephone Equipment Pads .....	139
15" x 17" Flared Wall .....	34-35	The "Hard Top" Transformer & Switchgear Box Pads .....	140
15" x 27" Straight Wall .....	36-37	<b>Product Details, Options and Hardware</b>	
15" x 27" Flared Wall .....	38-39	Most Popular Cover Logos .....	142
16" x 22" Straight Wall .....	40-41	Reader Lids, Drop-In Lids and Mousehole Details .....	143
16" x 22" Flared Wall .....	42-43	Box and Cover Available Options .....	144
17" x 30" Straight Wall .....	44-45	Typical Wall Sections .....	145
17" x 30" Flared Wall .....	46-48	<b>Installation Guidelines</b>	
24" x 24" Straight Wall .....	49-50	Standard Small Enclosure Installations .....	146
24" x 36" Straight Wall .....	51-53	Hole Cutting Instructions .....	147
24" x 36" Flared Wall .....	54-56	Standard Large Enclosure Installations .....	148
24" x 48" Flared Wall .....	57-58	Internal Bracing for Box Installation .....	149
24" x 60" Flared Wall .....	59-60	Concrete Collar Applications .....	150
30" x 48" Straight Wall .....	61-63	Box Pad Installations .....	151
30" x 48" Flared Wall .....	64-66	Internal Bracing for Box Pad Installation .....	152
30" x 60" Straight Wall .....	68-70	Power and Telecommunications Pad Installations .....	153
36" x 36" Straight Wall .....	71-73	Quick Assembly Enclosure Installations .....	154
36" x 60" Straight Wall .....	74-76	<b>Terms &amp; Conditions</b> .....	155-157
36" x 72" Straight Wall .....	77-78		
<b>Corrugated Wall Assemblies</b>			
Adjust-To-Grade Option .....	80		
30" x 48" .....	81-84		
30" x 60" .....	85-88		
36" x 60" .....	89-92		
36" x 72" .....	93-95		
36" x 96" .....	96-98		
48" x 48" .....	99-101		
48" x 48" Round Cover Style Assembly .....	102-104		
48" x 72" .....	105-107		



## National Electric Code, ANSI/SCTE 77

### ***NEC and Underground Enclosures***

The National Electric Code states in article 314.30 that enclosures "shall be designed and installed to withstand all loads likely to be imposed,"<sup>1</sup> and addresses issues related to enclosure size, wiring entries, enclosures without bottoms, and bonding requirements for covers.

The Code references the ANSI/SCTE 77<sup>2</sup> "Specification for Underground Enclosure Integrity" National Standard<sup>3</sup>, which outlines various tests that enclosures must pass to meet the standard. ANSI/SCTE 77 also provides load charts with Tier ratings to help end users determine the appropriate enclosure to select depending on the loadings expected in the application.

All CDR enclosures meet or exceed the test provisions of ANSI/SCTE 77 2007. No one wants to be responsible for an accidental electrocution from a collapsed enclosure or energized cover. By using the NEC, ANSI/SCTE 77 requirements in the enclosure selection process, end users will help ensure long service life, increased safety and reduced potential liability associated with failed underground enclosures.

### ***Testing Requirements for ANSI/SCTE 77 2007***

Underground enclosures must successfully pass numerous material and product performance test before they can meet ANSI/SCTE 77 2007. These tests include:

- Three Position Load Testing to Simulate Actual Application
- UV Degradation per ASTM G-154
- Fire Resistance per RUS 7CFR 1755.910 (PE-91)
- Chemical Resistance per ASTM D-543
- Water Absorption per ASTM D-570
- Impact Resistance per ASTM D-2444
- Accelerated Service per ASTM D-756, Procedure E

**NOTE:** ETL listed Products are available upon request please contact manufacturer representatives.

1 National Fire Protection Agency, 2005 & 2008 National Electric Code.

2 Subsequent to the insurance of the 2005 NEC, ANSI approved an updated version of the standard, ANSI/SCTE 77 2007.

3 The latest copy of the standard may be purchased from ANSI. It may also be viewed in PDF form on SCTE's website at [www.scte.org/documents/pdf/ANSISCTE%202007.pdf](http://www.scte.org/documents/pdf/ANSISCTE%202007.pdf).

# Enclosure Selection Guide

(BASED ON LOAD RATINGS)

## Load Ratings

CDR underground enclosures are designed to meet or exceed the tier loadings set forth in the American National Standards Institute's ANSI/SCTE 77 2007 "Specification for Underground Enclosure Integrity"<sup>1</sup>. ANSI tier designations are minimum specifications used by the industry to ensure the safe and reliable performance of underground handhole enclosures.

The ANSI application tier number relates to a nominal design load times 1,000 pounds (i.e.: Tier 8 = 8 x 1,000 lbs. + 8,000 lbs.). All ANSI tier loadings will have a corresponding test load which is 50% greater than the design load. The maximum deflection at the indicated design load shall be 1/2 inch for vertical tests and 1/4 inch per foot of length for lateral tests.

- Design and Test Loads for Tier 5, 8 and 15 are over a 10" square.
- Design and Test Load for Tier 22 is over a 10" x 20" rectangle.

## Application Tiers & Static Vertical Wheel Load Ratings per ANSI/SCTE 77 2007 "Specification for Underground Enclosure Integrity"

NOTE: CDR products are not intended for use in deliberate traffic areas.

Application Tiers	Loading Requirements			
<b>TIER 5</b> <sup>1</sup> Sidewalk applications with a safety factor for occasional non-deliberate vehicular traffic	Vertical	Design Load Test Load	22.2 kN 33.3 kN	5,000 lbs. 7,500 lbs.
	Lateral	Design Load Test Load	28.7 kPa 43.1 kPa	600 lbs./sq. ft. 900 lbs./sq. ft.
<b>TIER 8</b> <sup>1</sup> Sidewalk applications with a safety factor for non-deliberate vehicular traffic	Vertical	Design Load Test Load	35.6 kN 53.4 kN	8,000 lbs. 12,000 lbs.
	Lateral	Design Load Test Load	28.7 kPa 43.1 kPa	600 lbs./sq. ft. 900 lbs./sq. ft.
<b>TIER 15</b> <sup>1</sup> Driveway, parking lot, and off-roadway applications subject to occasional non-deliberate heavy vehicular traffic	Vertical	Design Load Test Load	66.7 kN 100.1 kN	15,000 lbs. 22,500 lbs.
	Lateral	Design Load Test Load	38.3 kPa 57.5 kPa	800 lbs./sq. ft. 1,200 lbs./sq. ft.
<b>TIER 22</b> <sup>1</sup> Driveway, parking lot, and off-roadway applications subject to occasional non-deliberate heavy vehicular traffic	Vertical	Design Load Test Load	100.1 kN 150.1 kN	22,500 lbs. 33,750 lbs.
	Lateral	Design Load Test Load	38.3 kPa 57.5 kPa	800 lbs./sq. ft. 1,200 lbs./sq. ft.
<b>AASHTO H-20</b> Deliberate vehicular traffic applications ONLY. CDR does not currently offer any enclosures for this application tier.	Certified precast concrete, cast iron or other AASHTO recognized materials* *There are not AASHTO design or test provisions for polymer composites. Therefore there is no recognized method of testing for qualification. Applying other material testing methods to polymer composites is not recognized by AASHTO. <b>BUYER BEWARE!</b>			

### NOTE:

ETL listed products are available upon request please contact manufacturer representatives.

## Three Position Testing

A key requirement outlined in ANSI/SCTE 77 2007 is three position testing for enclosures. Three position testing is required to determine how a product will perform in actual use.

In order to qualify a product's performance, test loading should be performed at the lateral center of the longest sidewall, at the vertical center of the longest sidewall, and at the vertical in the center of the cover. CDR products have been tested to each of the three positions as required by ANSI and all have met or exceeded the requirements.

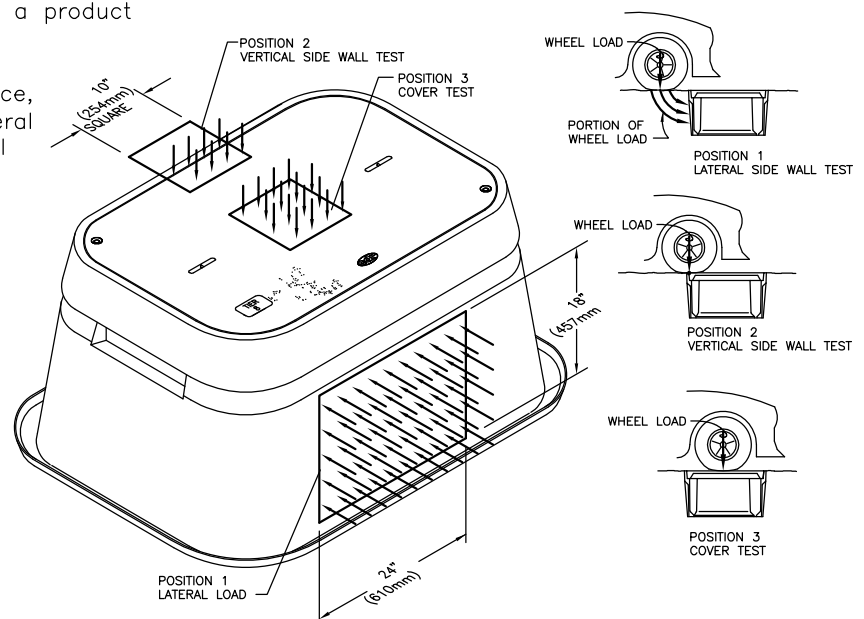
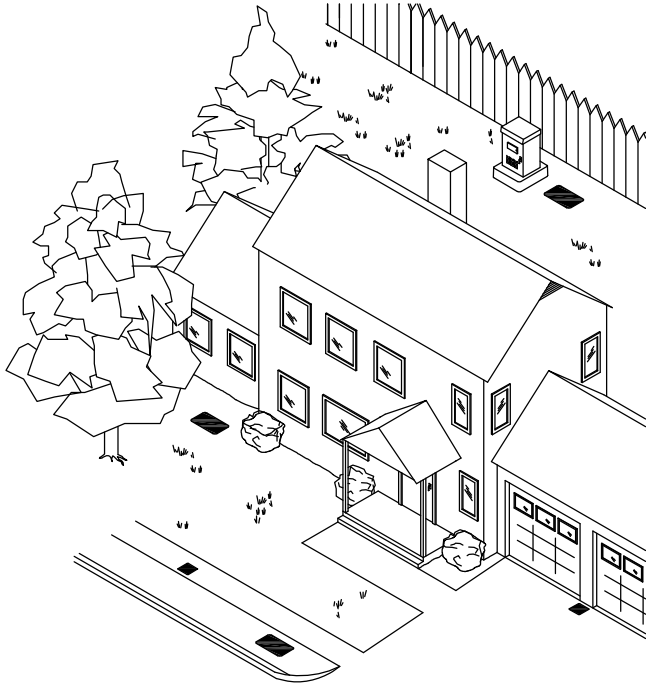


Figure 1 from ANSI/SCTE 77 2007

<sup>1</sup> Electronic file available at [www.scte.org/documents/pdf/ANSISCTE%2077%202007.pdf](http://www.scte.org/documents/pdf/ANSISCTE%2077%202007.pdf).

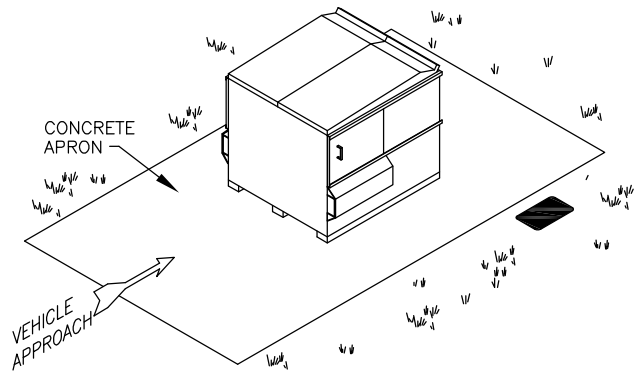
# "ANSI TIER" SELECTION AND PLACEMENT IN NON-DELIBERATE VEHICULAR TRAFFIC APPLICATIONS



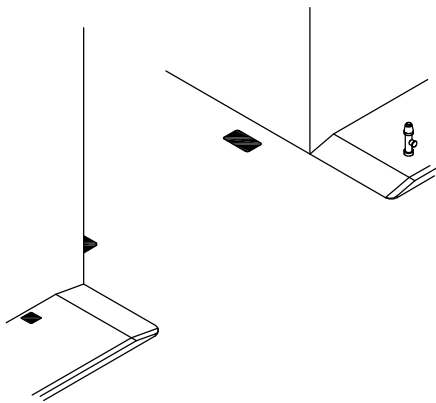
**RESIDENTIAL**  
(NON-DELIBERATE TRAFFIC)  
Enclosures can be placed in grassy areas or sidewalks. They may also be placed in areas next to the structures or poles where it is unlikely a vehicle will run over the enclosure. Enclosures should not be placed in the street or driveway where deliberate traffic is anticipated.

The enclosures shown in these sketches have been color coded to indicate the proper Tier level required for the application.

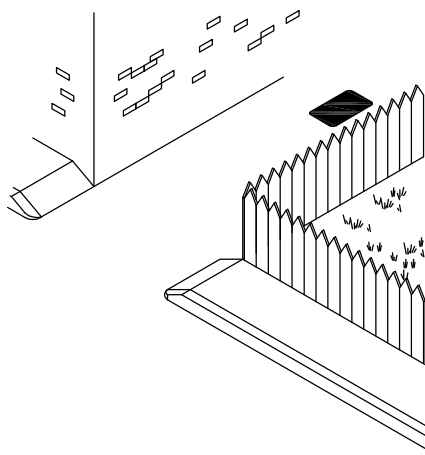
Green = Pedestrian/Tier 5  
Magenta = Tier 8  
Blue = Tier 15 or 22



**TRASH RECEPTACLE APPLICATION**  
(NON-DELIBERATE TRAFFIC)  
In an area where a trash receptacle is placed, the enclosure should be placed away from the concrete that the receptacle is set on so that the receptacle will not be placed on the enclosure or the wheels of the truck will not roll over the enclosure. Even though the traffic expected on the concrete apron or in front of the receptacle is occasional, it is deliberate because the traffic is both intentional and heavy duty in nature.



**DUAL LANE ALLEY**  
(NON-DELIBERATE TRAFFIC)  
In a single lane alleyway (at right) the enclosure should be placed in the center of the alleyway. The placement minimizes the possibility of the enclosure being run over. In a dual lane alleyway, the enclosure should be placed as close to the building as possible. Most of the time, two vehicles will not be in the alleyway at the same time, so the chances of the enclosure getting run over will be minimal. Knowledge of the location and expected traffic patterns should be used to determine if traffic would be deliberate or non-deliberate as defined previously.

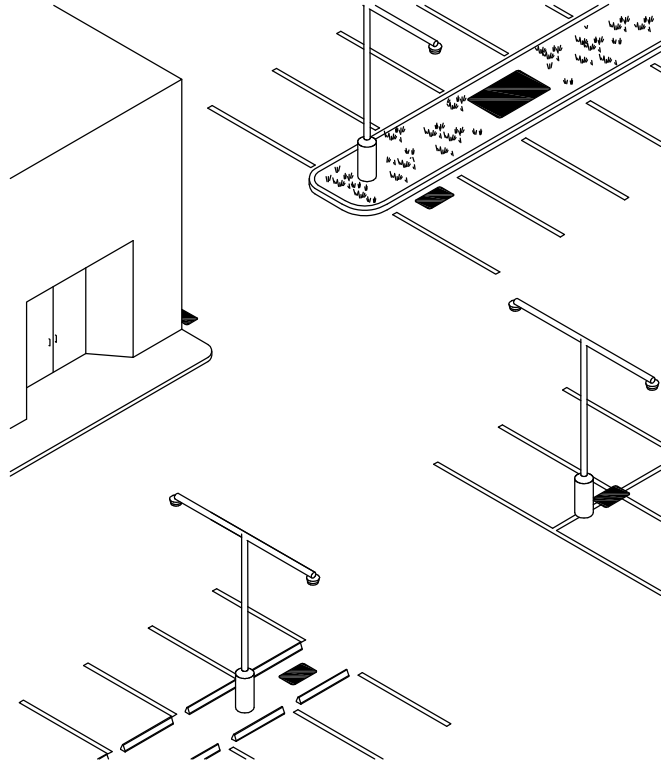
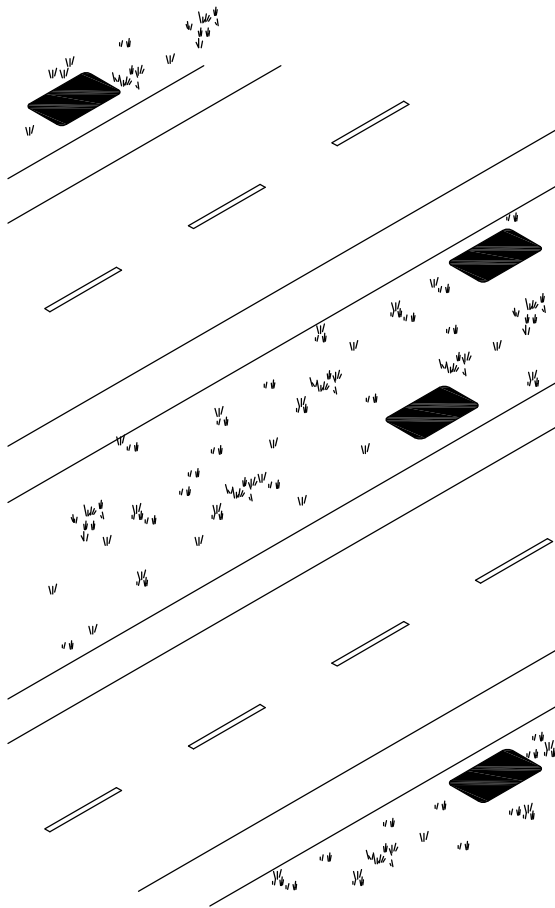


# "ANSI TIER" SELECTION AND PLACEMENT IN NON-DELIBERATE VEHICULAR TRAFFIC APPLICATIONS

## PARKING LOTS (NON-DELIBERATE TRAFFIC)

Enclosure applications:

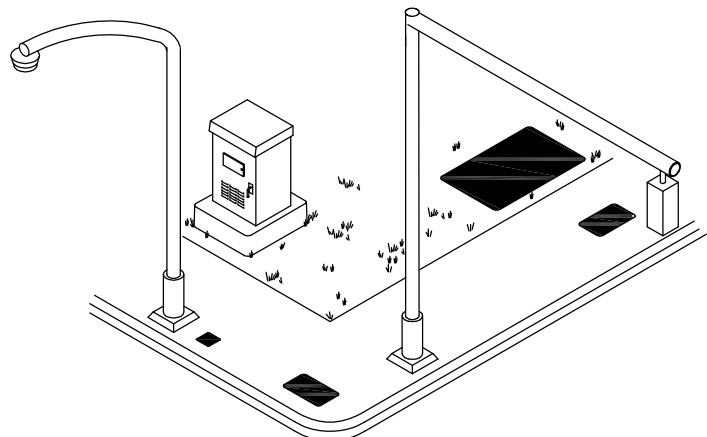
- In the front center of a parking space with the enclosure placed so that the tires of the vehicle will straddle the enclosure.
- In the grassy area where the parking lot ends.
- Placed alongside and close to the lighting pole.
- Placed between the parking curbs where the possibility of running over the enclosure is remote. This enclosure could be placed anywhere between the parking curbs.
- Along the building but not in front of a door or pick up area where vehicular traffic would be expected.



## DIVIDED HIGHWAY (NON-DELIBERATE TRAFFIC)

On a divided highway, the enclosure should be placed in any area that is not paved and where deliberate traffic is not expected. They can be placed in the grassy median or off the shoulder of the highway.

**NOTE:** The paved shoulder of the highway is normally considered a deliberate traffic location because it may be used as a breakdown lane or may be used as a lane in heavy traffic periods or in times of construction. Therefore, an enclosure should never be placed in the paved shoulder of a road or in the road itself. The enclosure should be placed off the shoulder, in the grassy areas.



## SIDEWALK & GRASSY AREA (NON-DELIBERATE TRAFFIC)

An enclosure can be placed in any grassy area and in most sidewalks. However, an enclosure should not be placed in a sidewalk where a driveway crosses over the sidewalk.



1 Convenient to store, easy to transport, vault comes palletized.



2 Can be assembled directly on pallet if desired.



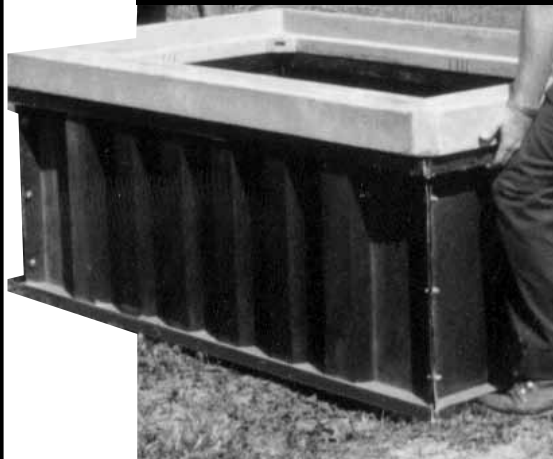
3 Vault assembles using only hand tools.

Save **TIME • SPACE • MONEY**

# QAV-II

QUICK • ASSEMBLE • VAULT

4 Exclusive one-piece collar keeps vault square.



5 Quick and easy level to grade.



6 Vault assembles and installs in minutes.

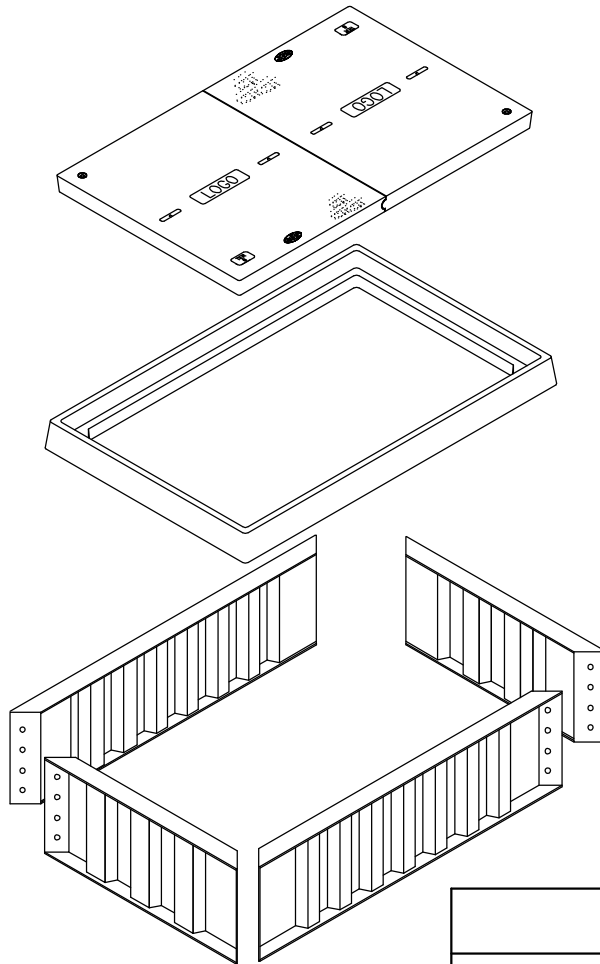




**SPECIFICATIONS/DATA**



**QUICK ASSEMBLY VAULT**



**LIGHTEST WEIGHT**

1/3 TO 1/10 THE WEIGHT OF STANDARD CONCRETE BOXES  
EASILY INSTALLED BY 1 OR 2 MEN WITHOUT HEAVY EQUIPMENT.

**HIGHEST STRENGTH**

SPECIAL COMBINATION OF POLYMER CONCRETE AND FIBER  
REINFORCED POLYESTER – 3 TO 4 TIMES THE COMPRESSIVE  
STRENGTH OF CONCRETE & HAS THE TENSILE STRENGTH OF STEEL.

**LONGEST LIFE**

PROJECTED 30 OR MORE YEARS – BASED ON PAST INSTALLATIONS  
IN ALL CLIMATES.

**ADDITIONAL FEATURES:**

EXCLUSIVE ONE PIECE COLLAR PREVENTS VAULT FORM GOING  
"OUT OF SQUARE" DURING BACK FILL OPERATION OR AFTER  
GROUND SETTLES. VAULT COVERS ARE EASILY INSTALLED OR  
REMOVED EVERYTIME!

OPENINGS ARE EASILY CUT, OR CAN BE ORDERED WITH  
OPENINGS ALREADY CUT FROM THE FACTORY.

TONGUE AND GROOVE INTERLOCKING DESIGN IN LARGE TWO OR  
THREE PIECE COVERS SPEED INSTALLATION AND REMOVAL OF  
LID PANELS.

- Bolting covers to boxes is simplified by utilized captive stainless steel bolts and self-centering nuts that are replaceable if the threads are stripped.
- Boxes can be made in any depth from 12 to 48 inches.
- Boxes are available with or without bottoms.
- Vaults are palletized for convenient storage and transportation to job sites.

Two men can assemble a vault in  
15 minutes with standard hand tools.



**VAULT ASSEMBLIES**

PART NO.	Old Catalog No.	WIDTH IN./mm	LENGTH IN./mm	DEPTH IN./mm	WEIGHT# LBS./kg.
Q1A304818A	_Q10-3048-18	30/762	48/1219	18/457	360/163
Q1A304824A	_Q10-3048-24	30/762	48/1219	24/610	380/172
Q1A304830A	_Q10-3048-30	30/762	48/1219	30/762	390/177
Q1A304836A	_Q10-3048-36	30/762	48/1219	36/914	400/181
Q1A304848A	_Q10-3060-48	30/762	48/1219	48/1219	440/200
Q1A306018A	_Q10-3060-18	30/762	60/1524	18/457	430/195
Q1A306024A	_Q10-3060-24	30/762	60/1524	24/610	445/202
Q1A306030A	_Q10-3060-30	30/762	60/1524	30/762	460/208
Q1A306036A	_Q10-3060-36	30/762	60/1524	36/914	490/222
Q1A306048A	_Q10-3060-48	30/762	60/1524	48/1219	530/240
Q1A366018A	_Q10-3660-18	36/914	60/1524	18/457	550/250
Q1A366024A	_Q10-3660-24	36/914	60/1524	24/610	570/259
Q1A366030A	_Q10-3660-30	36/914	60/1524	30/762	590/268
Q1A366036A	_Q10-3660-36	36/914	60/1524	36/914	610/277
Q1A366048A	_Q10-3660-48	36/914	60/1524	48/1219	640/290
Q1A484836A	_Q10-4848-36	48/1219	48/1219	36/914	660/299
Q1A484848A	_Q10-4848-48	48/1219	48/1219	48/1219	680/308
Q1A487236A	_Q10-4872-36	48/1219	64/1626	36/914	860/390
Q1A487248A	_Q10-4872-48	48/1219	74/1880	48/1219	910/413
Q1A487830A	_Q10-4878-30	48/1219	80/2032	30/762	920/417
Q1A487836A	_Q10-4878-36	48/1219	90/2286	36/914	960/435
Q1A487848A	_Q10-4878-48	48/1219	102/2591	48/1219	1010/458
Q1A489630A	_Q10-4896-30	48/1219	80/2032	30/762	1070/485
Q1A489636A	_Q10-4896-36	48/1219	90/2286	36/914	1100/499
Q1A489648A	_Q10-4896-48	48/1219	102/2591	48/1219	1130/513



# SERVICE BOXES & vaults

**LIGHT WEIGHT - SAVES TIME = SAVES MONEY!!**

1/3 to 1/10 the weight of standard concrete boxes - easily installed by 1 or 2 men without heavy equipment.

**HIGHEST STRENGTH**

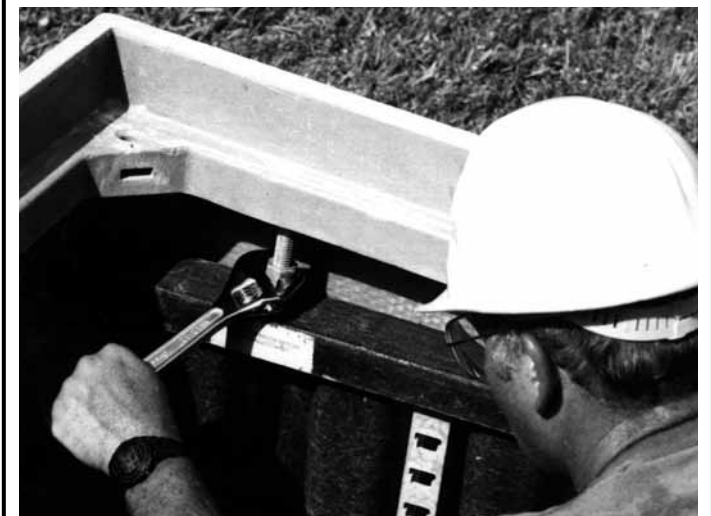
Special combinations of polymer concrete and fiber reinforced polyester – 3 to 4 times the compressive strength of concrete and has the tensile strength of steel.

**LONGEST LIFE**

Projected 30 or more years – based on past installations in all climates.



TWO MEN EASILY HANDLE A SERVICE BOX.



ADJUST TO GRADE OPTION.

**ADDITIONAL FEATURES:**

- Boxes can be made in **any depth** from 12 to 48 inches. Extensions from 6 to 24 inches are available.
- Available with or without **integral bottoms** on boxes 30 x 48 and larger.
- **Adjust to grade option** available on boxes 30 x 48 and larger. Vertical adjustments including tilting to 4 inches can be made in minutes. No grouting necessary and adjustments can be made during installation or at any time afterwards.
- **Knockouts** are easily made in the field with a wood hole cutting saw or ordered with knockouts already cut. **Conduit terminators** are also available.
- **Racks** can be cast into the box as optional equipment on boxes 30 x 48 and larger. **Pulling-eyes** can also be provided on these larger boxes.
- **Tongue and groove** interlocking design in large two or three piece covers speed installation and removal.
- 24 x 36 or smaller covers are one piece, 30 x 48, 30 x 60 and 36 x 60 – one or two pieces, 48 x 78 – two pieces and 48 x 96 – three or four pieces.
- Bolting covers to boxes is simplified by utilizing **captive stainless steel bolts** and **“self centering” fasteners** that are replaceable.

# "BUILD A PART" NUMBER SYSTEM



## CDR Catalog Numbering System for Boxes & Covers

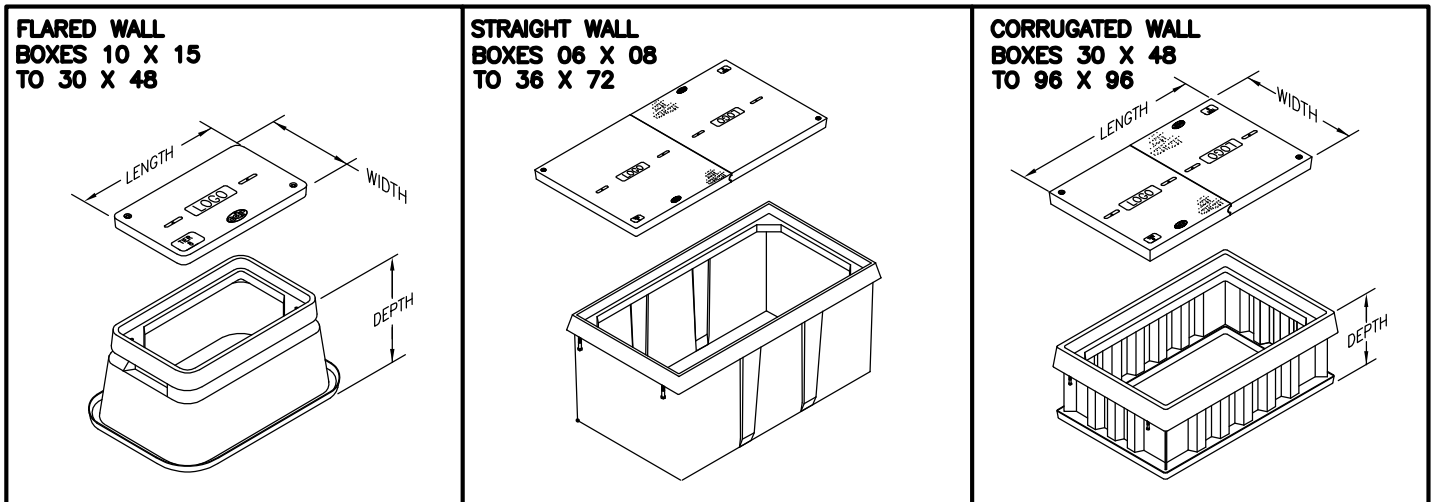
1 Item	2 Bolt/Insert Assembly/Cover	3 Style	4,5,6,7 Size	8, 9 Depth/Thickness Covers	10 Modification - Cover*	11, 12, 13 Logo (See Logo sheet) (See Page 142)
A (Assembly)		0 (Flared Wall Box/Cover - Tier 8)	0608		A (Standard)	
B (Box)	0 (Non Bolting)	2 (Flared Wall Box/Cover - Tier 15)	1015	01	C (4" x 6" Cast Iron Reader Door Over 90)	
C (Cover)	1 (1/2-13 UNC Penta Head Bolts)	3 (Straight Wall Box - Tier 8)	1118	02	D (4" x 6" Cast Iron Reader Door Under 90)	
E (Extension)	2 (1/2-13 UNC Hex Head Bolts)	4 (Straight Wall Box - Tier 15)	1121	03	E (6" x 9" Cast Iron Reader Door Over 90)	
G (Grade Adjustable)	3 (3/8-16 UNC Hex Head Bolts & Washers)	6 (Straight Wall Box/Cover - Tier 22)	1132		F (6" x 9" Cast Iron Reader Door Under 90)	
Q (QAV II)	4 (3/8-16 UNC Penta Head Bolts & Washers)	7 (Cover/Assembly - Pedestrian Traffic)	1212		G (Gasket)	
T (Torsion Cover)	5 (1/2-6 Coil Thread Penta Head Bolt)	8 (Cover/Assembly - Tier 5)	1324	08	H (Gas Marker)	
	X (Cast part)	9 (Flared Wall Box - Tier 22)	1517	12	J (Pow er Marker)	
		A (Corrugated Wall Box - Tier 8)	1527	18	K (Sanitary Marker)	
		B (Corrugated Wall Box - Tier 15)	1622	22	L (Telephone Marker)	
		C (Corrugated Wall Box - Tier 22)	1730	24	M (Water Marker)	
	<u>Box</u>		2424	30	N (Round Cover Insert)	
	0 (Non Bolting)		2436	34	P (Touch Read)	
	1 (1/2-13 UNC Insert)		2460	36	Q (1/2" x 1" Pick Holes)	
	3 (3/8-16 UNC Insert)		3048	42	R (Radio Read)	
	5 (1/2-6 Coil Thread Insert)		3060	48	S (Split Cover (24x36 and smaller))	
<u>Separate Base</u>	<u>Separate Base</u>	<u>Separate Base</u>	3636		T (6" x 9" Polymer Drop-In Lid)	
X (Separate Base)	0	0	3660		U (7" x 13" Polymer Drop-In Lid)	
			3672		V (9" x 15" Polymer Drop-In Lid)	
			3696		Y (1-Piece Panel Cover (30x48 and larger))	
			4848		Z (2-piece Panel Cover (30x48 and larger))	
			4872			
			4878		<u>Modification - Box*</u>	
			4896		A (Standard)	
			4814		B (Integral Bottom)	
			7896		D (Divided)	
			9696		G (Gasket)	
					L (Oversized Shell)	
					M (Standard Mouseholes)	
					P (Intercept Panel)	
					R (Collar for Round Cover)	
					X (Separate Base)	

LARGE ENCLOSURES WITH DIMENSIONS  
IN INCHES OVER 99 WOULD USE THE FIRST  
2 DIGITS OF THE NUMBER EXAMPLE:  
48 X144 = 4814

\*Assemblies with both a standard box  
and cover will receive an "A" in the 10th  
digit. The same applies to "G". All other  
special modifications or combinations  
will be assigned a 500#.

Special  
5, 0

- The diagrams explain how our catalog number system works and allows you to "design" your own box, cover or assembly from the options available.



Available stock assemblies are listed below. These are the standard boxes with Tier 8: for sidewalks, paved pedestrian areas or areas not subject to full vehicular traffic.

Also available – Tier 15 and Tier 22 ratings; designed for driveways, parking lots and off-roadway applications subject to occasional non-deliberate heavy vehicular traffic.

Boxes with different depths, special features or in different sizes are available on request or can be made to order.

Boxes can be ordered with or without integral bottoms and covers are available with or without bolting capability.

ASSEMBLIES		APPROXIMATE			
PART NO.	Old Catalog No.	WIDTH IN./mm	LENGTH IN./mm	DEPTH IN./mm	WEIGHT# LBS./kg.
A10101512A	_A10-1015-12	10/254	15/381	12/305	39/18
A10101518A	_A10-1015-18	10/254	15/381	18/457	46/21
A10132412A	_A10-1324-12	13/330	24/610	12/305	64/29
A10132418A	_A10-1324-18	13/330	24/610	18/457	70/32
A10173012A	_A10-1730-12	17/432	30/762	12/305	93/42
A10173018A	_A10-1730-18	17/432	30/762	18/457	105/48
A10173022A	_A10-1730-22	17/432	30/762	22/559	103/47
A10243618A	_A10-2436-18	24/610	36/914	18/457	175/79
A10246012A	_A10-2460-12	24/610	60/1524	12/305	142/64
A10304818A	_A10-3048-18	30/762	48/1219	18/457	310/141
A10304824A	_A10-3048-24	30/762	48/1219	24/610	320/145
A10304830A	_A10-3048-30	30/762	48/1219	30/762	330/150
A10304836A	_A10-3048-36	30/762	48/1219	36/914	345/156
A10304848A	_A10-3048-48	30/762	48/1219	48/1219	375/170
A10306018A	_A10-3060-18	30/762	60/1524	18/457	370/168
A10306024A	_A10-3060-24	30/762	60/1524	24/610	390/177
A10306030A	_A10-3060-30	30/762	60/1524	30/762	410/186
A10306036A	_A10-3060-36	30/762	60/1524	36/914	430/195
A10306048A	_A10-3060-48	30/762	60/1524	48/1219	470/213
A10366018A	_A10-3660-18	36/914	60/1524	18/457	460/209
A10366024A	_A10-3660-24	36/914	60/1524	24/610	475/215
A10366030A	_A10-3660-30	36/914	60/1524	30/762	490/222
A10366036A	_A10-3660-36	36/914	60/1524	36/914	510/231
A10366048A	_A10-3660-48	36/914	60/1524	48/1219	540/245
A10487830A	_A10-4878-30	48/1219	78/1981	30/762	780/354
A10487836A	_A10-4878-36	48/1219	78/1981	36/914	820/372
A10487848A	_A10-4878-48	48/1219	78/1981	48/1219	860/390
A10489630A	_A10-4896-30	48/1219	96/2438	30/762	880/399
A10489636A	_A10-4896-36	48/1219	96/2438	36/914	920/417
A10489648A	_A10-4896-48	48/1219	96/2438	48/1219	960/435

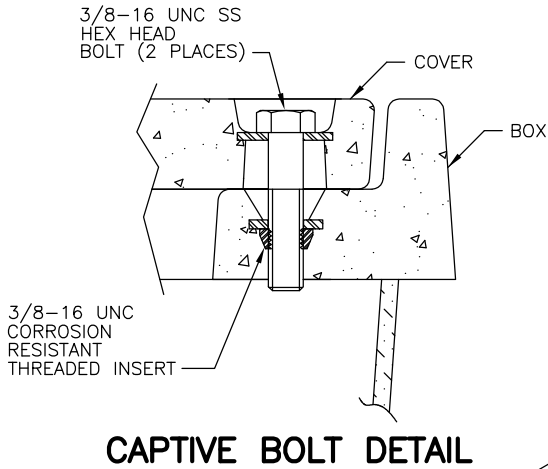
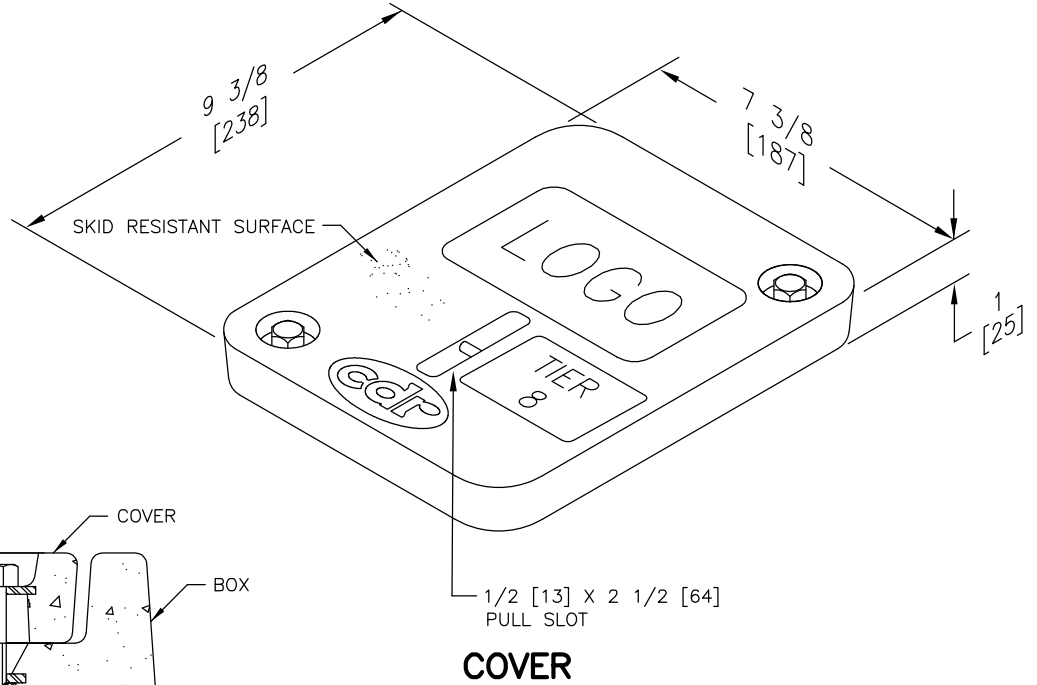
OTHER SIZES AVAILABLE – PLEASE CONTACT US  
CONTACT YOUR NEAREST SALES REPRESENTATIVE FOR MORE INFORMATION

## STRAIGHT WALL AND FLARED WALL ASSEMBLIES 6 X 8 THRU 30 X 48

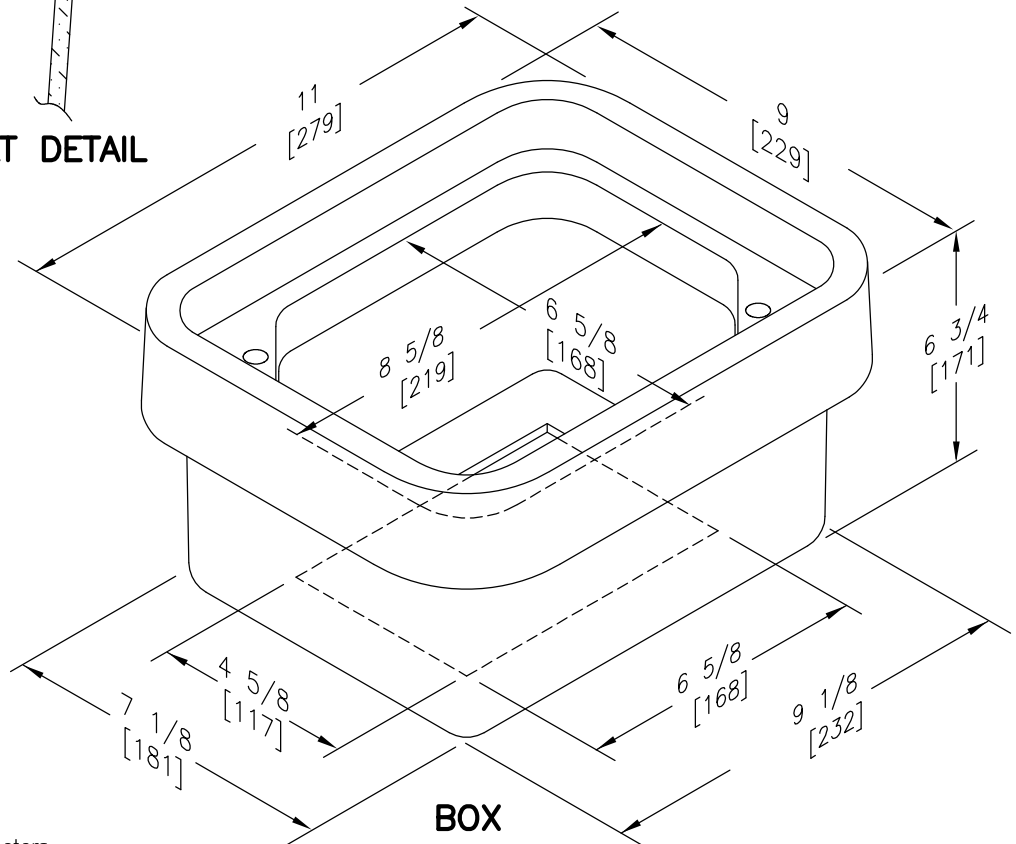
- **LIGHTWEIGHT-** Quick easy installation for LOWEST INSTALLED COST
- **HIGH STRENGTH** Special combination of polymer concrete and fiber reinforced polyester – 3 to 4 times the compressive strength of concrete and has the tensile strength of steel.
- **AVAILABLE-** Most are available in Tier 8, Tier 15 & Tier 22
- **NESTABLE-** Most Flared Boxes are Nestable for easy storage, transportation and freight savings.
- **STACKABLE-** Most Straight Wall Boxes are Stackable for extra depth as required.
- **NON-CONDUCTIVE-** And unaffected by UV light, moisture, freezing and sub soil chemicals
- **STAINLESS STEEL HARDWARE-** Non–corrosive
- **NO EXTRA CHARGE-** For standard cover logos (refer to page 142 for the most popular logos)
- **OPTIONS-** Include mouseholes, holes, knockouts, terminators, various hardware items as well as drop in and meter reading lids (see pages 143 & 144 for options)

**SPECIFICATIONS/DATA**

**6" X 8" STRAIGHT WALL STYLE (STACKABLE) ASSEMBLY**



**CAPTIVE BOLT DETAIL**



Dimensions in brackets are in millimeters

# SPECIFICATIONS/DATA

6" X 8" STRAIGHT WALL STYLE (STACKABLE) ASSEMBLY

## COVERS (Bolt down covers have S.S. Bolts) [Blank unless logo is specified]

DESCRIPTION	PART NO.	Old Catalog No.	WEIGHT LBS./kg.	DESIGN/TEST LOAD#
Tier 8 w/2 Bolts	C30060801A	C30-0608-01	5/2	8,000/12,000
Tier 8 No Bolt Down	C00060801A	C00-0608-01	5/2	8,000/12,000

## BOXES (Stackable with corrosion resistant nuts)

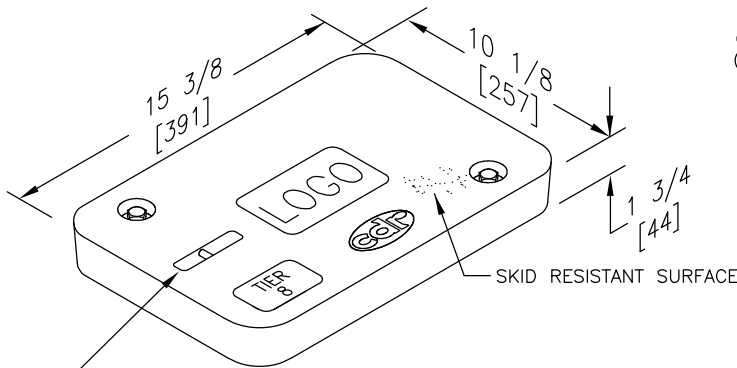
DESCRIPTION	PART NO.	Old Catalog No.	WEIGHT LBS./kg.	DESIGN/TEST LOAD#	ANSI TIER
Tier 8 Open Bottom	B13060806A	B13-0608-06	6/3	8,000/12,000	8
Tier 8 Solid Bottom	B03060806B	B13-0608-06B	6.5/3	8,000/12,000	8
Tier 8 Open Bottom w/ Gasket*	B13060806G	B13-0608-06G	6/3	8,000/12,000	8
Tier 8 Solid Bottom w/ Gasket*	B330608500	B13-0608-06BG	6.5/3	8,000/12,000	8

\*Gaskets reduce the inflow of fluids but do not make the enclosure water tight.

- Loadings comply with ANSI/SCTE 77 (See page 2)

# SPECIFICATIONS/DATA

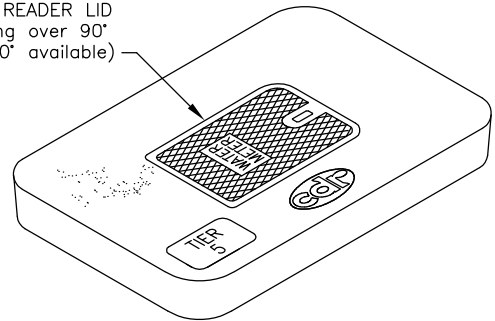
## 10" X 15" STRAIGHT WALL STYLE (STACKABLE) ASSEMBLY



**COVER**

5/8 [16] X 3 [76]  
PULL SLOT

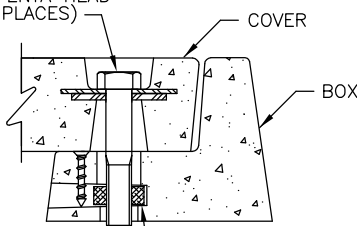
CAST IRON READER LID  
(4X6 opening over 90°  
or under 90° available)



**COVER W/READER LID**

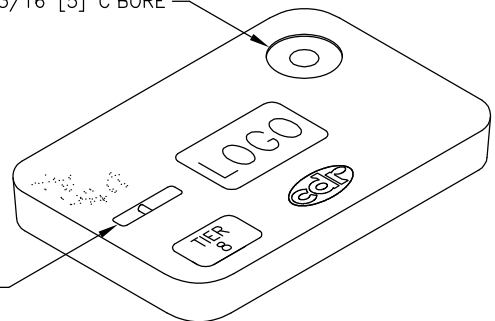
2 [51] DIA. TOUCH READER HOLE  
w/4 1/8 [105] DIA. X 3/16 [5] C'BORE

1/2-13 UNC SS  
CAPTIVE PENTA HEAD  
BOLT (2 PLACES)



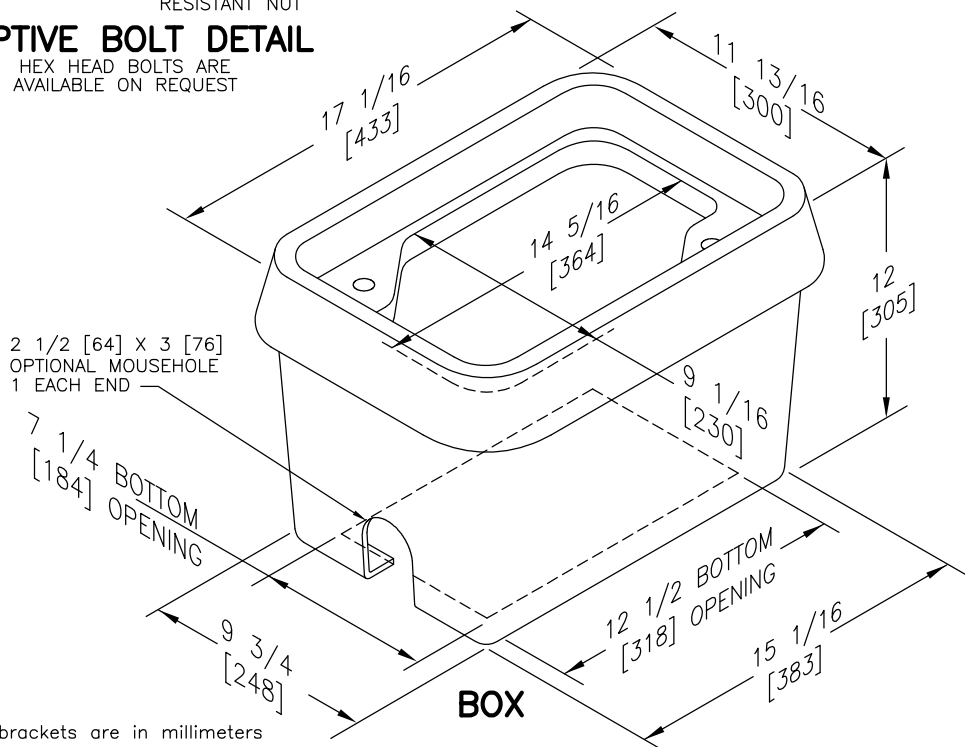
**CAPTIVE BOLT DETAIL**

HEX HEAD BOLTS ARE  
AVAILABLE ON REQUEST



5/8 [16] X 4 [102]  
PULL SLOT (2 PLACES)

**COVER W/TOUCH READER HOLE**



**BOX**

Dimensions in brackets are in millimeters



# SPECIFICATIONS/DATA

## 10" X 15" STRAIGHT WALL STYLE (STACKABLE) ASSEMBLY

**COVERS** Bolt down covers have S.S. Captive Penta Head Bolts [Blank unless logo is specified]  
(Hex Head Bolts are available – change 2nd digit in cover part no. to "2")

DESCRIPTION	PART NO.	Old Catalog No.	WEIGHT LBS./kg.	DESIGN/TEST LOAD#	ANSI TIER
Tier 8 w/2 Bolts	C10101502A	C10-1015-02	17/8	8,000/12,000	8
Tier 8 No Bolt Down	C00101502A	C00-1015-02	17/8	8,000/12,000	8
Tier 15 w/2 Bolts	C12101502A	C12-1015-02	19/9	15,000/22,500	15
Tier 15 No Bolt Down	C02101502A	C02-1015-02	19/9	15,000/22,500	15
Tier 22 w/2 Bolts	C16101502A	special number	19/9	22,500/33,750	22
Tier 22 No Bolt Down	C06101502A	special number	19/9	22,500/33,750	22
No Bolts w/4x6 Meter Lid (Over 90)	C08101502C	C00-1015-2C	17/8	5,000/7,500	5
Bolts w/4x6 Meter Lid (Over 90)	C18101502C	C10-1015-2C	17/8	5,000/7,500	5
No Bolts w/4x6 Meter Lid (Under 90)	C08101502D	C00-1015-2C	17/8	5,000/7,500	5
Bolts w/4x6 Meter Lid (Under 90)	C18101502D	C10-1015-2C	17/8	5,000/7,500	5
No Bolts w/Touch Reader Hole	C00101502P	C00-1015-2TR	19/9	8,000/12,000	8
Bolts w/Touch Reader Hole	C10101502P	C10-1015-2TR	19/9	8,000/12,000	8

Covers must be used with equivalent tier boxes or higher (example a Tier 15 cover may not be used with Tier 8 box).

### BOXES (Stackable with self-aligning corrosion resistant replaceable nuts)

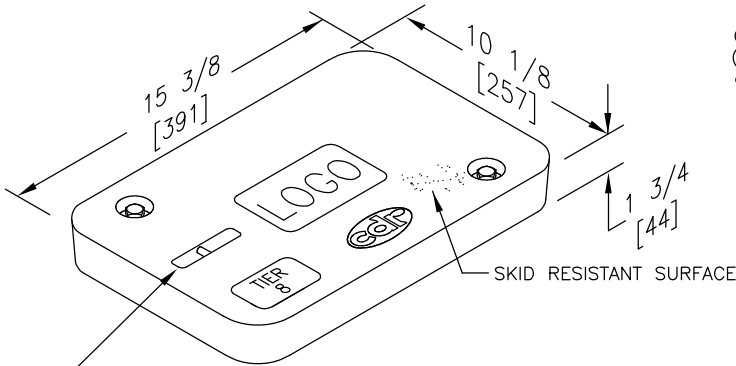
DESCRIPTION	PART NO.	Old Catalog No.	WEIGHT LBS./kg.	DESIGN/TEST LOAD#	ANSI TIER
Tier 8 Open Bottom	B13101512A	B13-1015-12	24/11	8,000/12,000	8
Tier 15 Open Bottom	B14101512A	B14-1015-12	27/12	15,000/22,500	15
Tier 22 Open Bottom	B16101512A	special number	27/12	22,500/33,750	22
Tier 8 Solid Bottom	B13101512B	B13-1015-12B	28/13	8,000/12,000	8
Tier 15 Duty Solid Bottom	B14101512B	B14-1015-12B	31/14	15,000/22,500	15
Tier 22 Duty Solid Bottom	B16101512B	special number	31/14	22,500/33,750	22
Tier 8 Open Bottom W/ Gasket*	B13101512G	B13-1015-12G	24/11	8,000/12,000	8
Tier 15 Open Bottom W/ Gasket*	B14101512G	B14-1015-12G	27/12	15,000/22,500	15
Tier 22 Open Bottom W/ Gasket*	B16101512G	special number	27/12	22,500/33,750	22
Tier 8 Solid Bottom W/ Gasket*	B131015500	B13-1015-12BG	28/13	8,000/12,000	8
Tier 15 Solid Bottom W/ Gasket*	B141015500	B14-1015-12BG	31/14	15,000/22,500	15
Tier 22 Solid Bottom W/ Gasket*	B161015500	special number	31/14	22,500/33,750	22
Tier 8 Open Bottom W/ Standard Mouseholes	B13101512M	B13-1015-12	24/11	8,000/12,000	8
Tier 15 Open Bottom W/ Standard Mouseholes	B14101512M	B14-1015-12	27/12	15,000/22,500	15
Tier 22 Open Bottom W/ Standard Mouseholes	B16101512M	special number	27/12	15,000/22,500	22

\*Gaskets reduce the inflow of fluids but do not make the enclosure water tight.

● Loadings comply with ANSI/SCTE 77 (See page 3 & 4)

**SPECIFICATIONS/DATA**

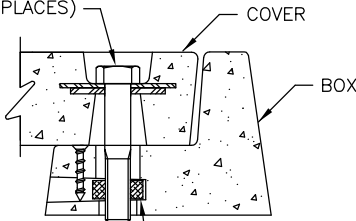
**10" X 15" FLARED WALL STYLE (NESTABLE) ASSEMBLY**



**COVER**

5/8 [16] X 3 [76]  
PULL SLOT

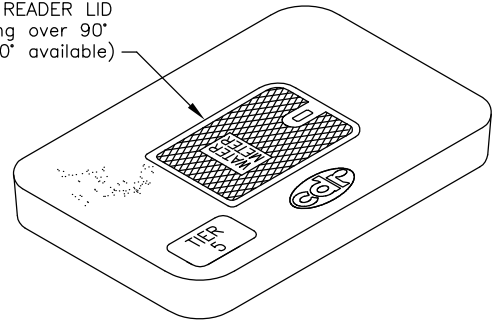
1/2-13 UNC SS  
CAPTIVE PENTA HEAD  
BOLT (2 PLACES)



**CAPTIVE BOLT DETAIL**

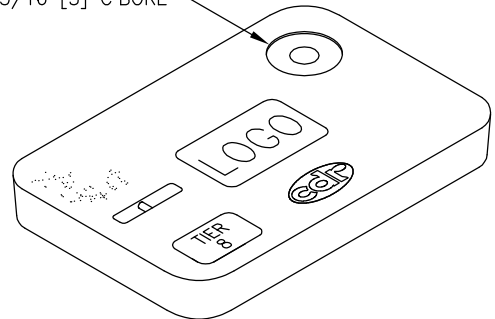
HEX HEAD BOLTS ARE  
AVAILABLE ON REQUEST

CAST IRON READER LID  
(4X6 opening over 90°  
or under 90° available)



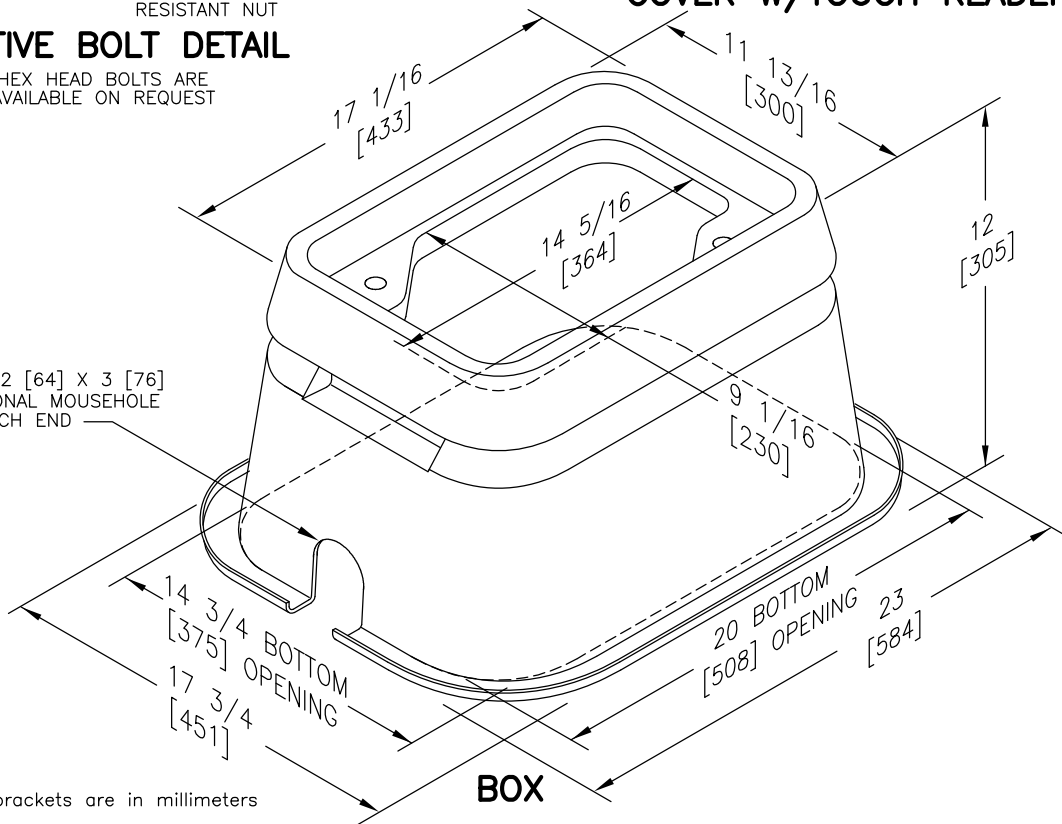
**COVER W/READER LID**

ø2 [51] TOUCH READER HOLE  
w/ø4 1/8 [105] X 3/16 [5] C'BORE



**COVER W/TOUCH READER HOLE**

2 1/2 [64] X 3 [76]  
OPTIONAL MOUSEHOLE  
1 EACH END



Dimensions in brackets are in millimeters

# SPECIFICATIONS/DATA

## 10" X 15" FLARED WALL STYLE (NESTABLE) ASSEMBLY

**COVERS** Bolt down covers have S.S. Captive Penta Head Bolts [Blank unless logo is specified]  
(Hex Head Bolts are available – change 2nd digit in cover part no. to "2")

DESCRIPTION	PART NO.	Old Catalog No.	WEIGHT LBS./kg.	DESIGN/TEST LOAD#	ANSI TIER
Tier 8 w/2 Bolts	C10101502A	C10-1015-02	17/8	8,000/12,000	8
Tier 8 No Bolt Down	C00101502A	C00-1015-02	17/8	8,000/12,000	8
Tier 15 w/2 Bolts	C12101502A	C12-1015-02	19/9	15,000/22,500	15
Tier 15 No Bolt Down	C02101502A	C02-1015-02	19/9	15,000/22,500	15
Tier 22 w/2 Bolts	C16101502A	C12-1015-02	19/9	22,500/33,750	22
Tier 22 No Bolt Down	C06101502A	C02-1015-02	19/9	22,500/33,750	22
No Bolts w/4x6 Meter Lid (Over 90)	C08101502C	C00-1015-2C	15/7	5,000/7,500	5
Bolts w/4x6 Meter Lid (Over 90)	C18101502C	C10-1015-2C	15/7	5,000/7,500	5
No Bolts w/4x6 Meter Lid (Under 90)	C08101502D	C00-1015-2C	15/7	5,000/7,500	5
Bolts w/4x6 Meter Lid (Under 90)	C18101502D	C10-1015-2C	15/7	5,000/7,500	5
No Bolts w/Touch Reader Hole	C00101502P	C00-1015-2TR	19/9	8,000/12,000	8
Bolts w/Touch Reader Hole	C10101502P	C10-1015-2TR	19/9	8,000/12,000	8

Covers must be used with equivalent Tier boxes or higher (example a Tier 15 cover may not be used with Tier 8 box).

<b>BOXES</b> (Nestable with self-aligning corrosion resistant replaceable nuts)						
DESCRIPTION	PART NO.	Old Catalog No.	DIM. A IN./mm.	WEIGHT# LBS./kg.	DESIGN/TEST LOAD#	ANSI TIER
Tier 8	B10101512A	B10-1015-12	12/305	22/10	8,000/12,000	8
	B10101518A	B10-1015-18	18/457	36/16	8,000/12,000	8
Tier 15	B12101512A	B12-1015-12	12/305	25/11	15,000/22,500	15
	B12101518A	B12-1015-18	18/457	38/17	15,000/22,500	15
Tier 22	B19101512A	special number	12/305	25/11	22,500/33,750	22
	B19101518A	special number	18/457	38/17	22,500/33,750	22
Tier 8 w/ Gasket*	B10101512G	B10-1015-12G	12/305	22/10	8,000/12,000	8
	B10101518G	B10-1015-18G	18/457	36/16	8,000/12,000	8
Tier 15 Bolt down w/ Gasket*	B12101512G	B12-1015-12G	12/305	25/11	15,000/22,500	15
	B12101518G	B12-1015-18G	18/457	38/17	15,000/22,500	15
Tier 22 Bolt down w/ Gasket*	B19101512G	special number	12/305	25/11	22,500/33,750	22
	B19101518G	special number	18/457	38/17	22,500/33,750	22
Tier 8 w/ Standard Mouseholes	B10101512M	B10-1015-12	12/305	22/10	8,000/12,000	8
	B10101518M	B10-1015-18	18/457	36/16	8,000/12,000	8
Tier 15 w/ Standard Mouseholes	B12101512M	B12-1015-12	12/305	25/11	15,000/22,500	15
	B12101518M	B12-1015-18	18/457	38/17	15,000/22,500	15
Tier 22 w/ Standard Mouseholes	B19101512M	special number	12/305	25/11	22,500/33,750	22
	B19101518M	special number	18/457	38/17	22,500/33,750	22

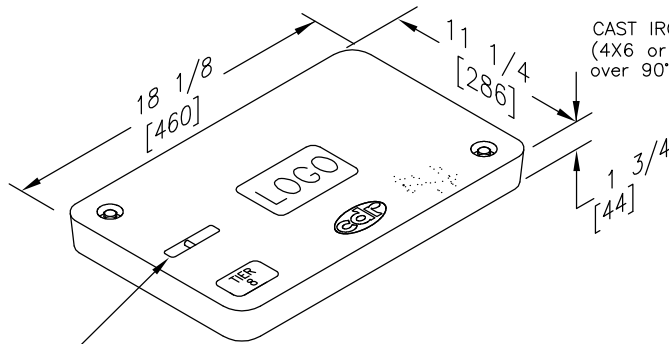
\*Gaskets reduce the inflow of fluids but do not make the enclosure water tight.

- Loadings comply with ANSI/SCTE 77 (See page 3 & 4)



**SPECIFICATIONS/DATA**

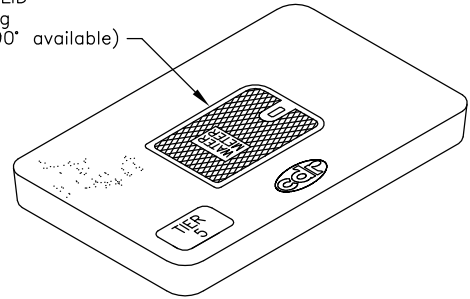
**11" X 18" STRAIGHT WALL STYLE (STACKABLE) ASSEMBLY**



**COVER**

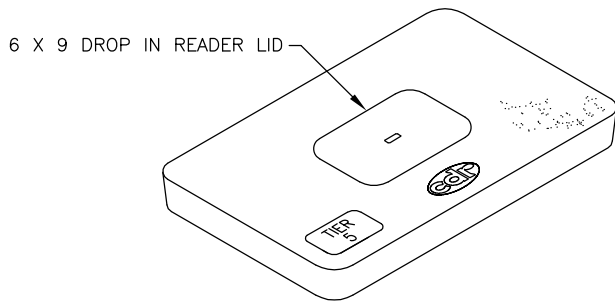
5/8 [16] X 4 [102]  
PULL SLOT

CAST IRON READER LID  
(4X6 or 6X9 opening  
over 90° or under 90° available)

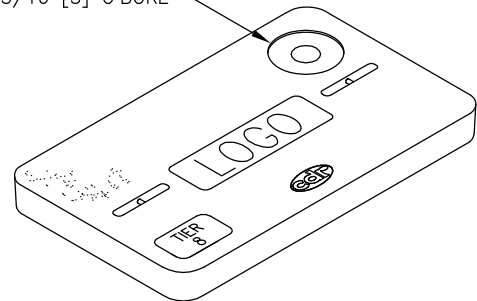


**COVER W/READER LID**

∅2 [51] TOUCH READER HOLE  
w/∅4 1/8 [105] X 3/16 [5] C'BORE



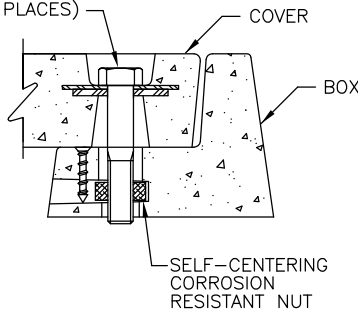
**COVER W/DROP IN READER LID**



**COVER W/TOUCH READER HOLE**

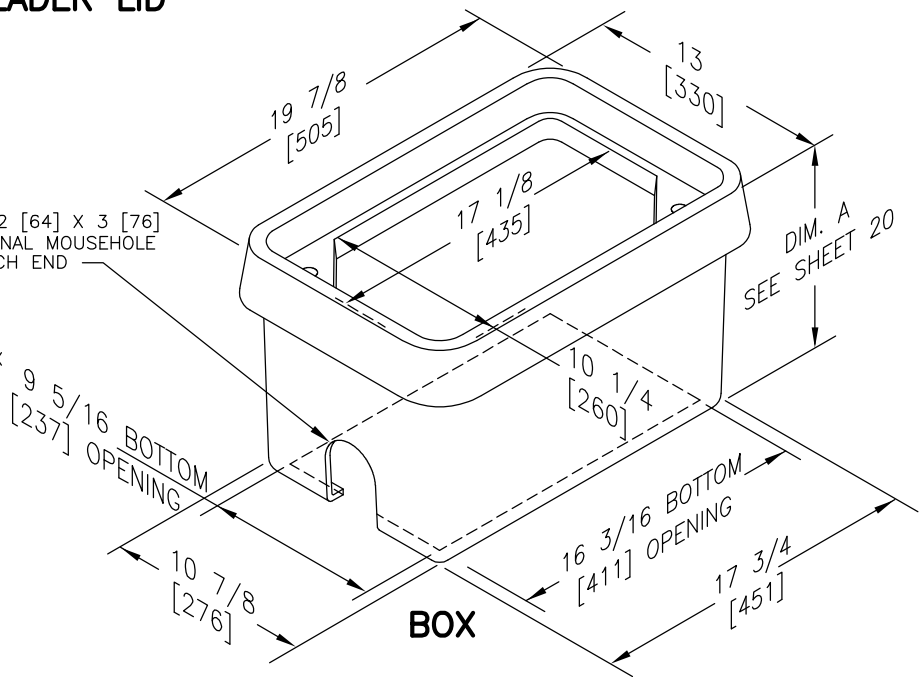
1/2-13 UNC SS  
CAPTIVE PENTA HEAD  
BOLT (2 PLACES)

2 1/2 [64] X 3 [76]  
OPTIONAL MOUSEHOLE  
1 EACH END



**CAPTIVE BOLT DETAIL**

HEX HEAD BOLTS ARE  
AVAILABLE ON REQUEST



**BOX**

Dimensions in brackets are in millimeters

# SPECIFICATIONS/DATA

## 11" X 18" STRAIGHT WALL STYLE (STACKABLE) ASSEMBLY

**COVERS** Bolt down covers have S.S. Captive Penta Head Bolts [Blank unless logo is specified]  
(Hex Head Bolts are available – change 2nd digit in cover part no. to "2")

DESCRIPTION	PART NO.	Old Catalog No.	WEIGHT LBS./kg.	DESIGN/TEST LOAD#	ANSI TIER
Tier 8 w/2 Bolts	C10111802A	C10-1118-02	21/10	8,000/12,000	8
Tier 8 No Bolt Down	C00111802A	C00-1118-02	21/10	8,000/12,000	8
Tier 15 w/2 Bolts	C12111802A	C12-1118-02	23/10	15,000/22,500	15
Tier 15 No Bolt Down	C02111802A	C02-1118-02	23/10	15,000/22,500	15
Tier 22 w/2 Bolts	C16111802A	special number	23/10	22,500/33,750	22
Tier 22 No Bolt Down	C06111802A	special number	23/10	22,500/33,750	22
No Bolts w/4x6 Meter Lid (Over 90)	C08111802C	C00-1118-2C	21/10	5,000/7,500	5
Bolts w/4x6 Meter Lid (Over 90)	C18111802C	C10-1118-2C	21/10	5,000/7,500	5
No Bolts w/4x6 Meter Lid (Under 90)	C08111802D	C00-1118-2C	21/10	5,000/7,500	5
Bolts w/4x6 Meter Lid (Under 90)	C18111802D	C10-1118-2C	21/10	5,000/7,500	5
No Bolts w/6x9 Meter Lid (Over 90)	C08111802E	C00-1118-2C	21/10	5,000/7,500	5
Bolts w/6x9 Meter Lid (Over 90)	C18111802E	C10-1118-2C	21/10	5,000/7,500	5
No Bolts w/6x9 Meter Lid (Under 90)	C08111802F	C00-1118-2C	21/10	5,000/7,500	5
Bolts w/6x9 Meter Lid (Under 90)	C18111802F	C10-1118-2C	21/10	5,000/7,500	5
No Bolts w/Touch Reader Hole	C00111802P	C00-1118-2TR	23/10	8,000/12,000	8
Bolts w/Touch Reader Hole	C10111802P	C10-1118-2TR	23/10	8,000/12,000	8
No Bolts w/6x9 Drop In Reader Lid	C08111802T	C00-1118-2E	23/10	5,000/7,500	5
Bolts w/6x9 Drop In Reader Lid	C18111802T	C10-1118-2E	23/10	5,000/7,500	5

Covers must be used with equivalent Tier boxes or higher (example a Tier 15 cover may not be used with Tier 8 box).

### BOXES (Stackable with self-aligning corrosion resistant replaceable nuts)

DESCRIPTION	PART NO.	Old Catalog No.	DIM. A IN./mm.	WEIGHT LBS./kg.	DESIGN/TEST LOAD#	ANSI TIER
Tier 8 Open Bottom	B13111812A	B13-1118-12	12/305	25/11	8,000/12,000	8
	B13111818A	B13-1118-18	18/457	29/13	8,000/12,000	8
Tier 15 Open Bottom	B14111812A	B14-1118-12	12/305	28/13	15,000/22,500	15
	B14111818A	B14-1118-18	18/457	32/15	15,000/22,500	15
Tier 22 Open Bottom	B16111812A	special number	12/305	28/13	22,500/33,750	22
	B16111818A	special number	18/457	32/15	22,500/33,750	22
Tier 8 Solid Bottom	B13111812B	B13-1118-12B	12/305	27/12	8,000/12,000	8
	B13111818B	B13-1118-18B	18/457	31/14	8,000/12,000	8
Tier 15 Solid Bottom	B14111812B	B14-1118-12B	12/305	30/14	15,000/22,500	15
	B14111818B	B14-1118-18B	18/457	34/15	15,000/22,500	15
Tier 22 Solid Bottom	B16111812B	special number	12/305	30/14	22,500/33,750	22
	B16111818B	special number	18/457	34/15	22,500/33,750	22
Tier 8 Open Bottom W/ Gasket*	B13111812G	B13-1118-12G	12/305	25/11	8,000/12,000	8
	B13111818G	B13-1118-18G	18/457	29/13	8,000/12,000	8
Tier 15 Open Bottom w/ Gasket*	B14111812G	B14-1118-12G	12/305	28/13	15,000/22,500	15
	B14111818G	B14-1118-18G	18/457	32/15	15,000/22,500	15
Tier 22 Open Bottom W/ Gasket*	B16111812G	special number	12/305	28/13	22,500/33,750	22
	B16111818G	special number	18/457	32/15	22,500/33,750	22
Tier 8 Solid Bottom W/ Gasket*	B131118500	B13-1118-12BG	12/305	25/11	8,000/12,000	8
	B131118501	B13-1118-18BG	18/457	29/13	8,000/12,000	8
Tier 15 Solid Bottom w/ Gasket*	B141118500	B14-1118-12BG	12/305	28/13	15,000/22,500	15
	B141118501	B14-1118-18BG	18/457	32/15	15,000/22,500	15
Tier 22 Solid Bottom W/ Gasket*	B161118500	special number	12/305	28/13	22,500/33,750	22
	B161118501	special number	18/457	32/15	22,500/33,750	22
Tier 8 Open Bottom w/ Standard Mouseholes	B13111812M	B13-1118-12	12/305	25/11	8,000/12,000	8
	B13111818M	B13-1118-18	18/457	29/13	8,000/12,000	8
Tier 15 Open Bottom w/ Standard Mouseholes	B14111812M	B14-1118-12	12/305	28/13	15,000/22,500	15
	B14111818M	B14-1118-18	18/457	32/15	15,000/22,500	15
Tier 22 Open Bottom w/ Standard Mouseholes	B16111812M	special number	12/305	28/13	22,500/33,750	22
	B16111818M	special number	18/457	32/15	22,500/33,750	22

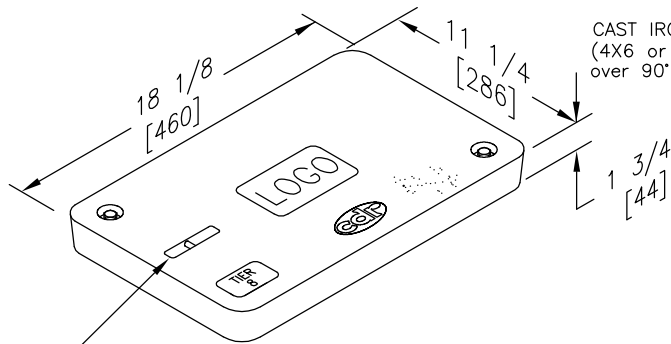
\*Gaskets reduce the inflow of fluids but do not make the enclosure water tight.

● Loadings comply with ANSI/SCTE 77 (See pages 3 & 4)



# SPECIFICATIONS/DATA

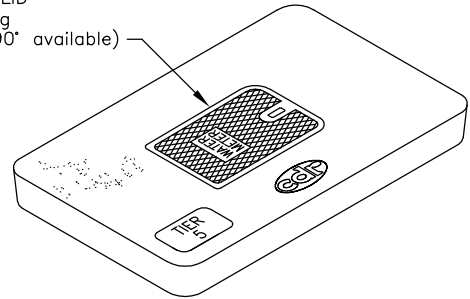
## 11" X 18" FLARED WALL STYLE (NESTABLE) ASSEMBLY



**COVER**

5/8 [16] X 4 [102]  
PULL SLOT

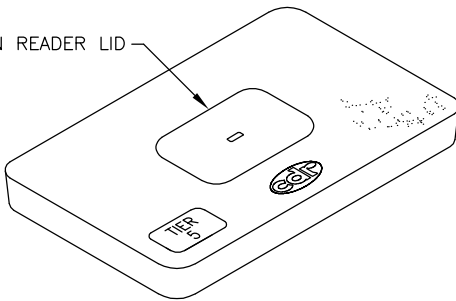
CAST IRON READER LID  
(4X6 or 6X9 opening  
over 90° or under 90° available)



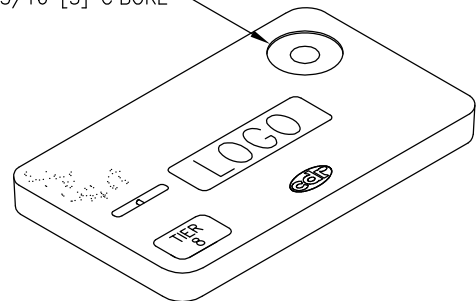
**COVER W/READER LID**

∅2 [51] TOUCH READER HOLE  
w/∅4 1/8 [105] X 3/16 [5] C'BORE

6 X 9 DROP IN READER LID

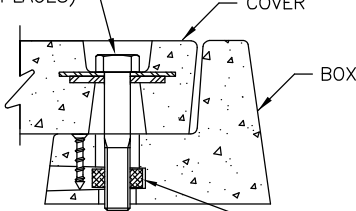


**COVER W/DROP IN READER LID**



**COVER W/TOUCH READER HOLE**

1/2-13 UNC SS  
CAPTIVE PENTA HEAD  
BOLT (2 PLACES)

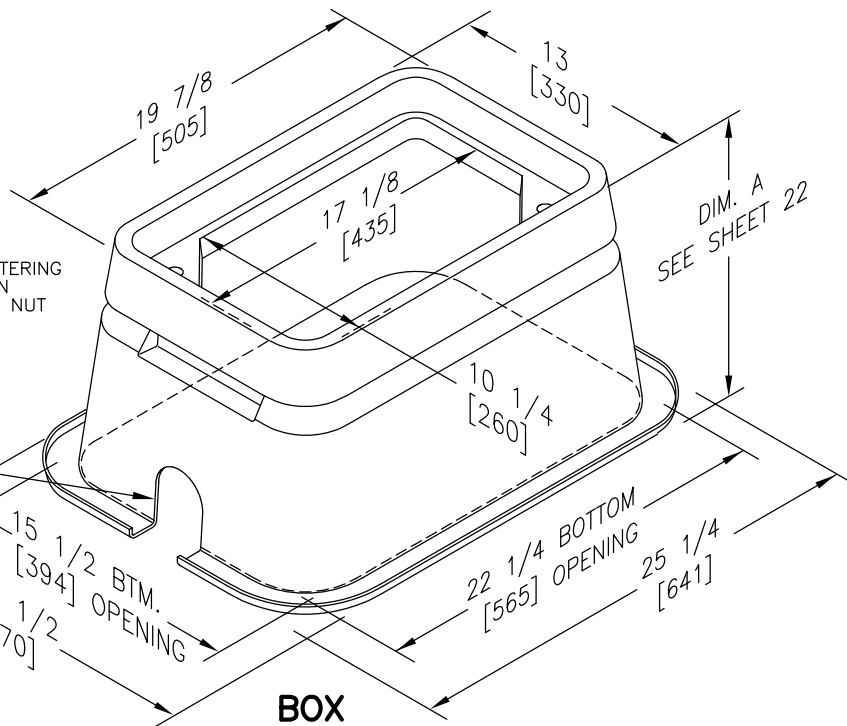


**CAPTIVE BOLT DETAIL**

HEX HEAD BOLTS ARE  
AVAILABLE ON REQUEST

SELF-CENTERING  
CORROSION  
RESISTANT NUT

2 1/2 [64] X 3 [76]  
OPTIONAL MOUSEHOLE  
1 EACH END



**BOX**

Dimensions in brackets are in millimeters

# SPECIFICATIONS/DATA

## 11" X 18" FLARED WALL STYLE (NESTABLE) ASSEMBLY

**COVERS** Bolt down covers have S.S. Captive Penta Head Bolts [Blank unless logo is specified]  
 (Hex Head Bolts are available – change 2nd digit in cover part no. to "2")

DESCRIPTION	PART NO.	Old Catalog No.	WEIGHT LBS./kg.	DESIGN/TEST LOAD#	ANSI TIER
Tier 8 w/2 Bolts	C10111802A	C10-1118-02	21/10	8,000/12,000	8
Tier 8 No Bolt Down	C00111802A	C00-1118-02	21/10	8,000/12,000	8
Tier 15 w/2 Bolts	C12111802A	C12-1118-02	23/10	15,000/22,500	15
Tier 15 No Bolt Down	C02111802A	C02-1118-02	23/10	15,000/22,500	15
Tier 22 w/2 Bolts	C16111802A	special number	23/10	22,500/33,750	22
Tier 22 No Bolt Down	C06111802A	special number	23/10	22,500/33,750	22
No Bolts w/4x6 Meter Lid (Over 90)	C08111802C	C00-1118-2C	21/10	5,000/7,500	5
Bolts w/4x6 Meter Lid (Over 90)	C18111802C	C10-1118-2C	21/10	5,000/7,500	5
No Bolts w/4x6 Meter Lid (Under 90)	C08111802D	C00-1118-2C	21/10	5,000/7,500	5
Bolts w/4x6 Meter Lid (Under 90)	C18111802D	C10-1118-2C	21/10	5,000/7,500	5
No Bolts w/6x9 Meter Lid (Over 90)	C08111802E	C00-1118-2C	21/10	5,000/7,500	5
Bolts w/6x9 Meter Lid (Over 90)	C18111802E	C10-1118-2C	21/10	5,000/7,500	5
No Bolts w/6x9 Meter Lid (Under 90)	C08111802F	C00-1118-2C	21/10	5,000/7,500	5
Bolts w/6x9 Meter Lid (Under 90)	C18111802F	C10-1118-2C	21/10	5,000/7,500	5
No Bolts w/Touch Reader Hole	C00111802P	C00-1118-2TR	23/10	8,000/12,000	8
Bolts w/Touch Reader Hole	C10111802P	C10-1118-2TR	23/10	8,000/12,000	8
No Bolts w/6x9 Drop In Reader Lid	C08111802T	C00-1118-2E	23/10	5,000/7,500	5
Bolts w/6x9 Drop In Reader Lid	C18111802T	C10-1118-2E	23/10	5,000/7,500	5

Covers must be used with equivalent Tier boxes or higher (example a Tier 15 cover may not be used with Tier 8 box).

BOXES (Nestable with self-aligning corrosion resistant replaceable nuts)						
DESCRIPTION	PART NO.	Old Catalog No.	DIM. A IN./mm.	WEIGHT# LBS./kg.	DESIGN/TEST LOAD#	ANSI TIER
Tier 8	B10111812A	B10-1118-12	12/305	25/11	8,000/12,000	8
	B10111818A	B10-1118-18	18/457	29/13	8,000/12,000	8
Tier 15	B12111812A	B12-1118-12	12/305	28/13	15,000/22,500	15
	B12111818A	B12-1118-18	18/457	32/15	15,000/22,500	15
Tier 22	B19111812A	special number	12/305	28/13	22,500/33,750	22
	B19111818A	special number	18/457	32/15	22,500/33,750	22
Tier 8 w/ Gasket*	B10111812G	B10-1118-12G	12/305	25/11	8,000/12,000	8
	B10111818G	B10-1118-18G	18/457	29/13	8,000/12,000	8
Tier 15 w/ Gasket*	B12111812G	B12-1118-12G	12/305	28/13	15,000/22,500	15
	B12111818G	B12-1118-18G	18/457	32/15	15,000/22,500	15
Tier 22 w/ Gasket*	B19111812G	special number	12/305	28/13	22,500/33,750	22
	B19111818G	special number	18/457	32/15	22,500/33,750	22
Tier 8 w/ Standard Mouseholes	B10111812M	B10-1118-12	12/305	25/11	8,000/12,000	8
	B10111818M	B10-1118-18	18/457	29/13	8,000/12,000	8
Tier 15 w/ Standard Mouseholes	B12111812M	B12-1118-12	12/305	28/13	15,000/22,500	15
	B12111818M	B12-1118-18	18/457	32/15	15,000/22,500	15
Tier 22 w/ Standard Mouseholes	B19111812M	special number	12/305	28/13	22,500/33,750	22
	B19111818M	special number	18/457	32/15	22,500/33,750	22

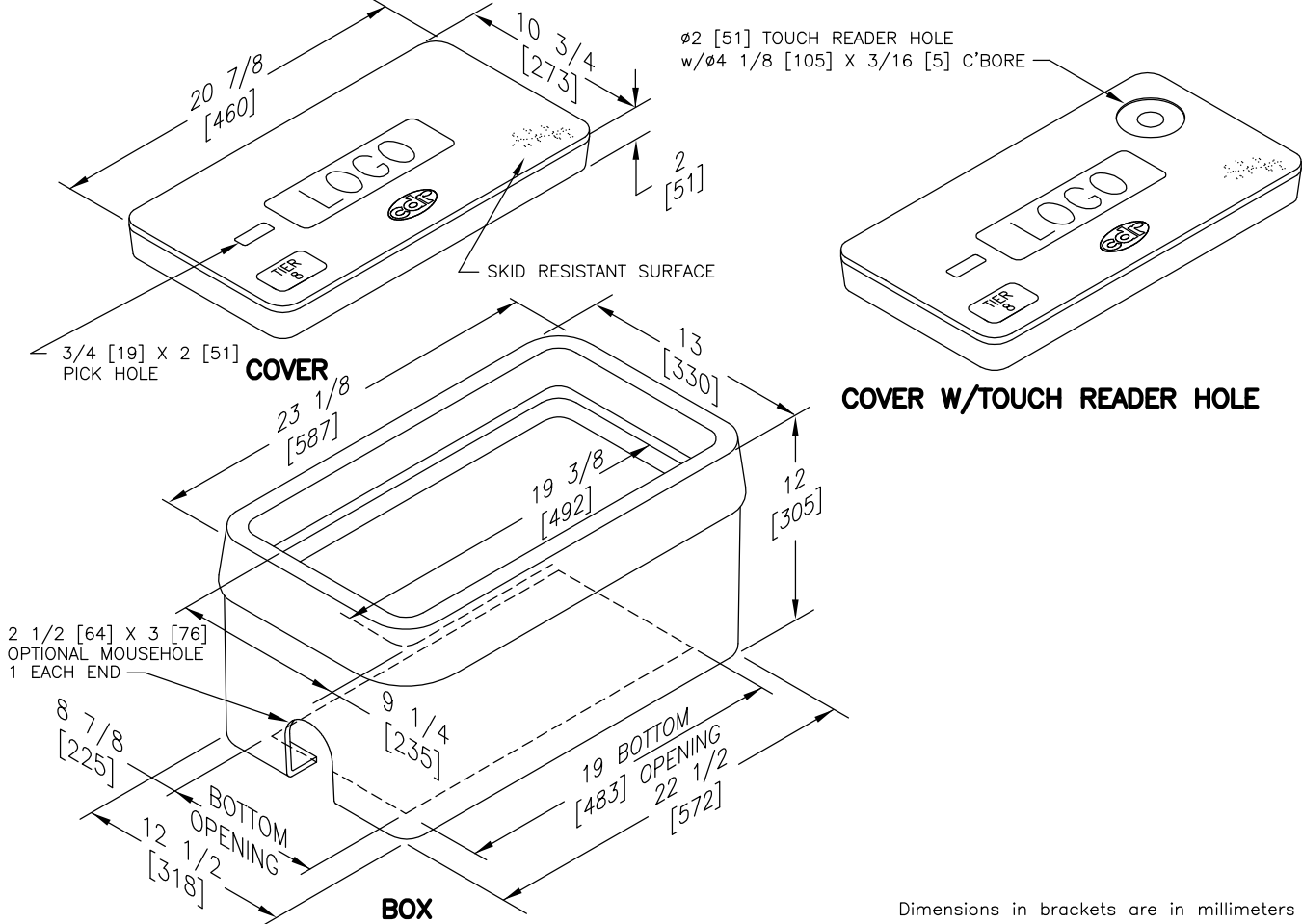
\*Gaskets reduce the inflow of fluids but do not make the enclosure water tight.

- Loadings comply with ANSI/SCTE 77 (See page 2)



# SPECIFICATIONS/DATA

## 11" X 21" STRAIGHT WALL STYLE ASSEMBLY



Dimensions in brackets are in millimeters

COVERS [Blank unless logo is specified]					
DESCRIPTION	PART NO.	Old Catalog No.	WEIGHT LBS./kg.	DESIGN/TEST LOAD#	ANSI TIER
Tier 8 No Bolt Down	C00112102A	WC00-1121-02	16/7	8,000/12,000	8
Tier 15 No Bolt Down	C02112102A	WC02-1121-02	18/8	15,000/22,500	15
No Bolts w/Touch Reader Hole	C00112102P	WC00-1121-2TR	16/7	8,000/12,000	8
No Bolts w/4x6 Meter lid (Over 90)	C00112102C	WC00-1121-2C	16/7	5,000/7,500	5
No Bolts w/4x6 Meter lid (Under 90)	C00112102D	WC00-1121-2C	16/7	5,000/7,500	5

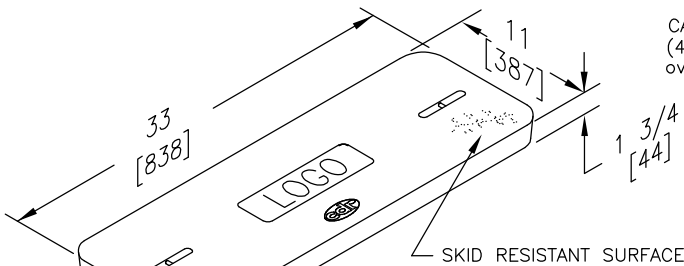
• Loadings comply with ANSI/SCTE 77 (See page 2)

STRAIGHT WALL BOXES					
DESCRIPTION	PART NO.	Old Catalog No.	WEIGHT LBS./kg.	DESIGN/TEST LOAD#	ANSI TIER
Tier 8 Open Bottom No Bolt down	B03112112A	WB03-1121-12	30/14	8,000/12,000	8
Tier 15 Open Bottom No Bolt down	B04112112A	WB04-1121-12	34/15	15,000/22,500	15
Tier 8 Solid Bottom No Bolt down	B03112112B	WB03-1121-12B	32/15	8,000/12,000	8
Tier 15 Solid Bottom No Bolt down	B04112112B	WB04-1121-12B	36/16	15,000/22,500	15
Tier 8 Open Bottom No Bolt down w/ Standard Mouseholes	B03112112M	WB03-1121-12	30/14	8,000/12,000	8
Tier 15 Open Bottom No Bolt down w/ Standard Mouseholes	B04112112M	WB04-1121-12	34/15	8,000/12,000	15



# SPECIFICATIONS/DATA

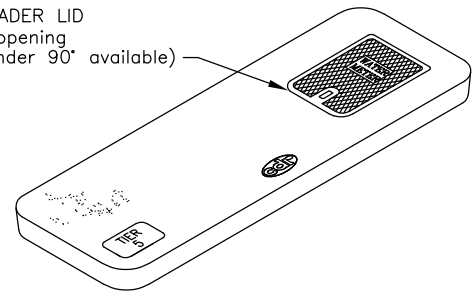
11" X 32" ASSEMBLIES



**COVER**

5/8 [16] X 4 [102]  
PULL SLOT (2 PLACES)

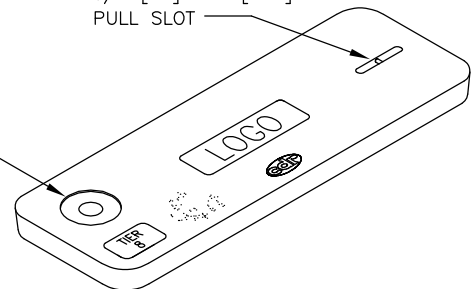
CAST IRON READER LID  
(4X6 or 6X9 opening  
over 90° or under 90° available)



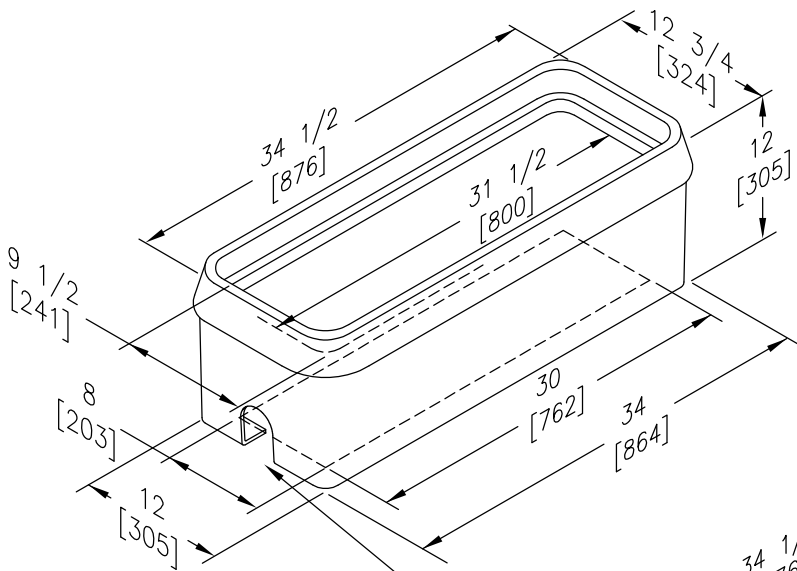
**COVER W/READER LID**

5/8 [16] X 4 [102]  
PULL SLOT

∅2 [51] TOUCH READER HOLE  
w/∅4 1/8 [105] X 3/16 [5] C'BORE

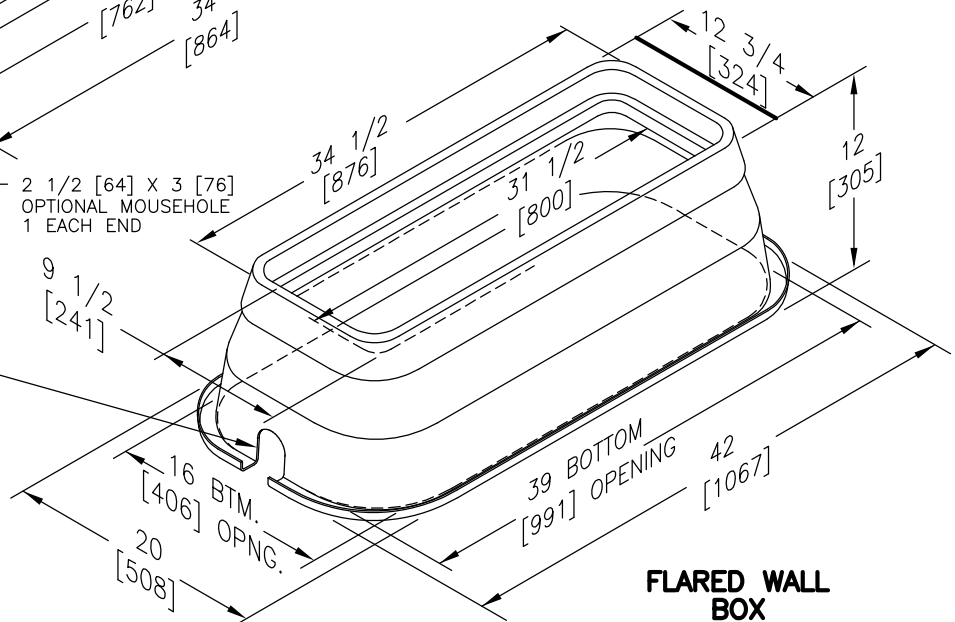


**COVER W/TOUCH READER HOLE**



**STRAIGHT WALL BOX**

2 1/2 [64] X 3 [76]  
OPTIONAL MOUSEHOLE  
1 EACH END



**FLARED WALL BOX**

Dimensions in brackets are in millimeters

**COVERS** Bolt down covers have S.S. Captive Penta Head Bolts [Blank unless logo is specified]  
 (Hex Head Bolts are available – change 2nd digit in cover part no. to "2")

DESCRIPTION	PART NO.	Old Catalog No.	WEIGHT LBS./kg.	DESIGN/TEST LOAD#	ANSI TIER
Tier 8 No Bolt Down	C00113202A	WC00-1132-02	40/18	8,000/12,000	8
Tier 15 No Bolt Down	C02113202A	WC02-1132-02	43/19	15,000/22,500	15
No Bolts w/4x6 Meter Lid (Over 90)	C00113202C	WC00-1132-2C	40/18	5,000/7,500	5
No Bolts w/4x6 Meter Lid (Under 90)	C00113202D	WC00-1132-2C	40/18	5,000/7,500	5
No Bolts w/6x9 Meter Lid (Over 90)	C00113202E	WC00-1132-2C	40/18	5,000/7,500	5
No Bolts w/6x9 Meter Lid (Under 90)	C00113202F	WC00-1132-2C	40/18	5,000/7,500	5
No Bolts w/Touch Reader Hole	C00113202P	WC00-1132-2TR	40/18	8,000/12,000	8

### STRAIGHT WALL BOXES

DESCRIPTION	PART NO.	Old Catalog No.	WEIGHT LBS./kg.	DESIGN/TEST LOAD#	ANSI TIER
Tier 8 Open Bottom No Bolt down	B03113212A	WB03-1132-12	40/18	8,000/12,000	8
Tier 15 Open Bottom No Bolt down	B04113212A	WB04-1132-12	44/20	15,000/22,500	15
Tier 8 Solid Bottom No Bolt down	B03113212B	WB03-1132-12B	42/19	8,000/12,000	8
Tier 15 Solid Bottom No Bolt down	B04113212B	WB04-1132-12B	46/21	15,000/22,500	15
Tier 8 Open Bottom No Bolt down w/ Standard Mouseholes	B03113212M	WB03-1132-12	40/18	8,000/12,000	8
Tier 15 Open Bottom No Bolt down w/ Standard Mouseholes	B04113212M	WB04-1132-12	44/20	15,000/22,500	15

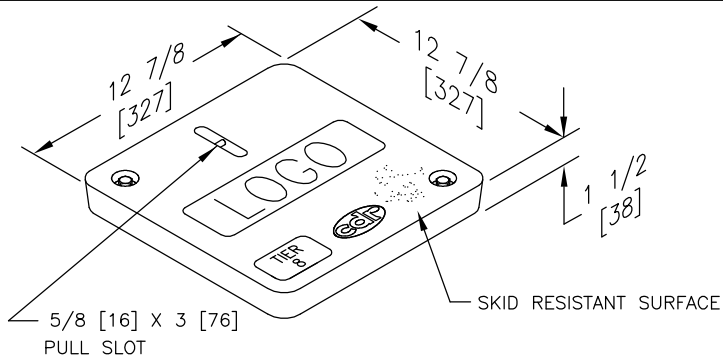
### FLARED WALL BOXES

DESCRIPTION	PART NO.	Old Catalog No.	WEIGHT# LBS./kg.	DESIGN/TEST LOAD#	ANSI TIER
Tier 8 No Bolt down	B00113212A	WB00-1132-12	40/18	8,000/12,000	8
Tier 15 No Bolt down	B02113212A	WB02-1132-12	44/20	15,000/22,500	15
Tier 8 No Bolt down w/ Standard Mouseholes	B00113212M	WB00-1132-12	40/18	8,000/12,000	8
Tier 15 No Bolt down w/ Standard Mouseholes	B02113212M	WB02-1132-12	44/20	15,000/22,500	15

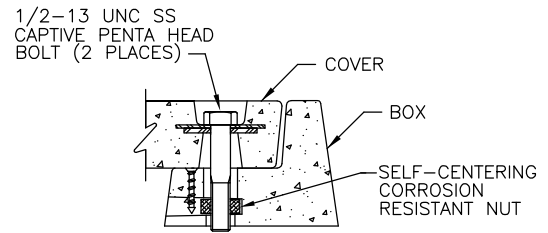
• Loadings comply with ANSI/SCTE 77 (See page 3 & 4)

# SPECIFICATIONS/DATA

12" X 12" ASSEMBLIES

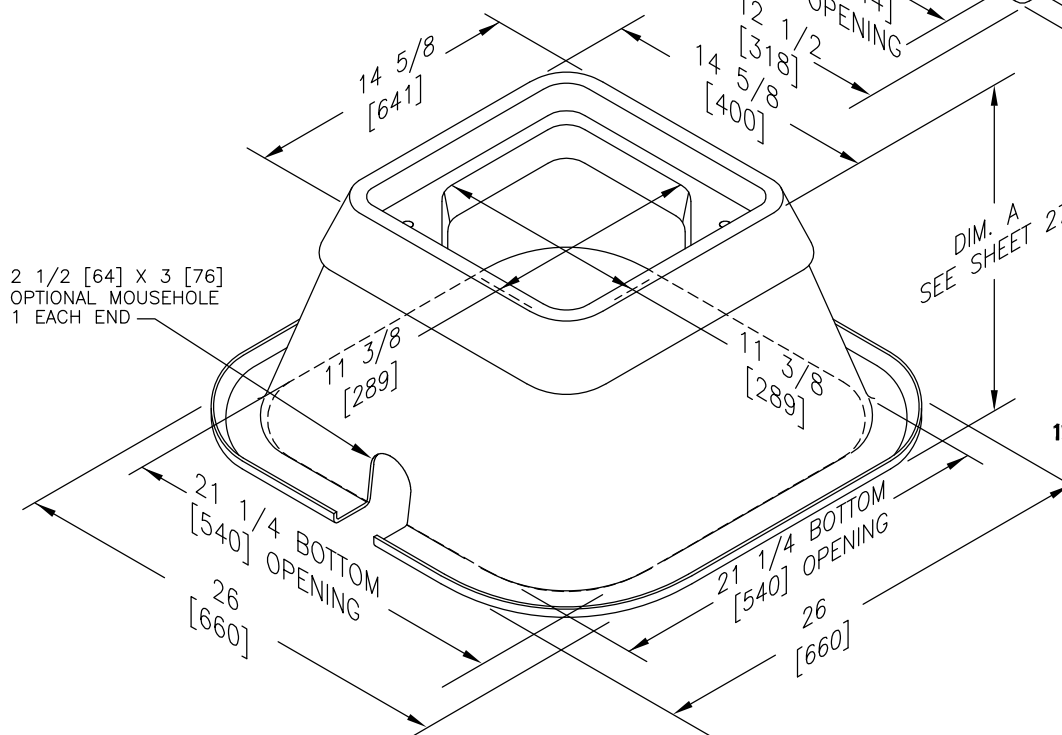
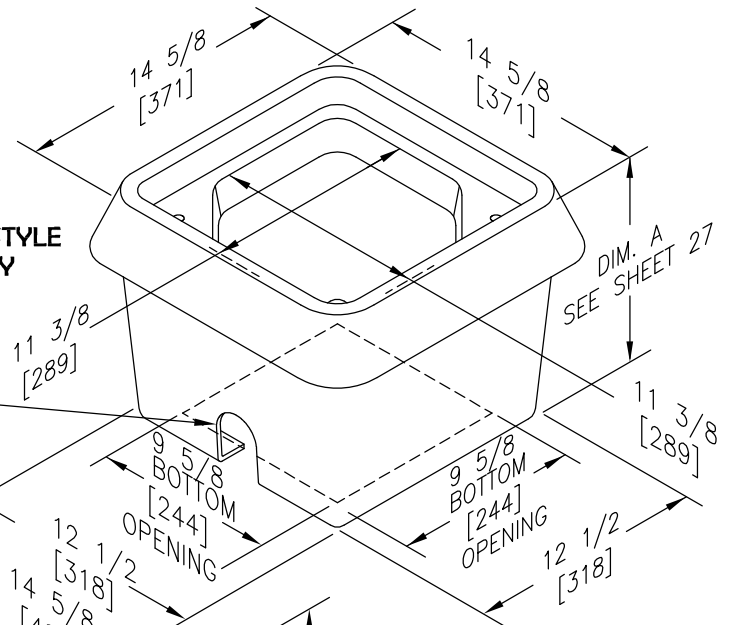


**COVER**



**CAPTIVE BOLT DETAIL**  
 HEX HEAD BOLTS ARE AVAILABLE ON REQUEST

**12" X 12" STRAIGHT WALL STYLE (STACKABLE) ASSEMBLY**



**12" X 12" FLARED WALL STYLE (NESTABLE) ASSEMBLY**

Dimensions in brackets are in millimeters





# SPECIFICATIONS/DATA

12" X 12" ASSEMBLIES

**COVERS** Bolt down covers have S.S. Captive Penta Head Bolts [Blank unless logo is specified]  
(Hex Head Bolts are available – change 2nd digit in cover part no. to "2")

DESCRIPTION	PART NO.	Old Catalog No.	WEIGHT LBS./kg.	DESIGN/TEST LOAD#	ANSI TIER
Tier 8 w/2 Bolts	C10121202A	C10-1212-02	14/6	8,000/12,000	8
Tier 8 No Bolt Dwon	C00121202A	C00-1212-02	14/6	8,000/12,000	8
Tier 15 w/2 Bolts	C12121202A	C12-1212-02	15/7	15,000/22,500	15
Tier 15 No Bolt Down	C02121202A	C02-1212-02	15/7	15,000/22,500	15
Tier 22 w/2 Bolts	C16121202A	special number	15/7	15,000/22,500	22
Tier 22 No Bolt Down	C06121202A	special number	15/7	15,000/22,500	22

Covers must be used with equivalent Tier boxes or higher (example a Tier 15 cover may not be used with Tier 8 box).

**BOXES** (Stackable with self-aligning corrosion resistant replaceable nuts)

DESCRIPTION	PART NO.	Old Catalog No.	DIM. A IN./mm.	WEIGHT LBS./kg.	DESIGN/TEST LOAD#	ANSI TIER
Tier 8 Open Bottom	B13121212A	B13-1212-12	12/305	26/12	8,000/12,000	8
Tier 15 Open Bottom	B14121212A	B14-1212-12	12/305	30/14	15,000/22,500	15
Tier 22 Open Bottom	B16121212A	special number	12/305	30/14	22,500/33,750	22
Tier 8 Solid Bottom	B13121212B	B13-1212-12B	12/305	27/12	8,000/12,000	8
Tier 15 Solid Bottom	B14121212B	B14-1212-12B	12/305	31/14	15,000/22,500	15
Tier 22 Solid Bottom	B16121212B	special number	12/305	31/14	22,500/33,750	22
Tier 8 Open Bottom W/ Gasket*	B13121212G	B13-1212-12G	12/305	26/12	8,000/12,000	8
Tier 15 Open Bottom w/ Gasket*	B14121212G	B14-1212-12G	12/305	30/14	15,000/22,500	15
Tier 22 Open Bottom w/ Gasket*	B16121212G	special number	12/305	30/14	22,500/33,750	22
Tier 8 Solid Bottom W/ Gasket*	B131212500	B13-1212-12B	12/305	27/12	8,000/12,000	8
Tier 15 Solid Bottom w/ Gasket*	B141212500	B14-1212-12BG	12/305	31/14	15,000/22,500	15
Tier 22 Solid Bottom w/ Gasket*	B161212500	special number	12/305	31/14	22,500/33,750	22
Tier 8 Open Bottom w/ Standard Mouseholes	B13121212M	B13-1212-12	12/305	26/12	8,000/12,000	8
Tier 15 Open Bottom w/ Standard Mouseholes	B14121212M	B14-1212-12	12/305	30/14	15,000/22,500	15
Tier 22 Open Bottom w/ Standard Mouseholes	B16121212M	special number	12/305	30/14	22,500/33,750	22

\*Gaskets reduce the inflow of fluids but do not make the enclosure water tight.

**BOXES** (Nestable with self-aligning corrosion resistant replaceable nuts)

DESCRIPTION	PART NO.	Old Catalog No.	DIM. A IN./mm.	WEIGHT# LBS./kg.	DESIGN/TEST LOAD#	ANSI TIER
Tier 8	B10121212A	B10-1212-12	12/305	28/13	8,000/12,000	8
	B10121224A	B10-1212-24	24/610	45/20	8,000/12,000	8
Tier 15	B12121212A	B12-1212-12	12/305	32/15	15,000/22,500	15
	B12121224A	B12-1212-24	24/610	51/23	15,000/22,500	15
Tier 22	B19121212A	special number	12/305	32/15	22,500/33,750	22
	B19121224A	special number	24/610	51/23	22,500/33,750	22
Tier 8 w/ Gasket*	B10121212G	B10-1212-12G	12/305	28/13	8,000/12,000	8
	B10121224G	B10-1212-24G	24/610	45/20	8,000/12,000	8
Tier 15 w/ Gasket*	B12121212G	B12-1212-12G	12/305	32/15	15,000/22,500	15
	B12121224G	B12-1212-24G	24/610	51/23	15,000/22,500	15
Tier 22 w/ Gasket*	B19121212G	special number	12/305	32/15	22,500/33,750	22
	B19121224G	special number	24/610	51/23	22,500/33,750	22
Tier 8 w/ Standard Mouseholes	B10121212M	B10-1212-12	12/305	28/13	8,000/12,000	8
	B10121224M	B10-1212-24	24/610	45/20	8,000/12,000	8
Tier 15 w/ Standard Mouseholes	B12121212M	B12-1212-12	12/305	32/15	15,000/22,500	15
	B12121224M	B12-1212-24	24/610	51/23	15,000/22,500	15
Tier 22 w/ Standard Mouseholes	B19121212M	special number	12/305	32/15	22,500/33,750	22
	B19121224M	special number	24/610	51/23	22,500/33,750	22

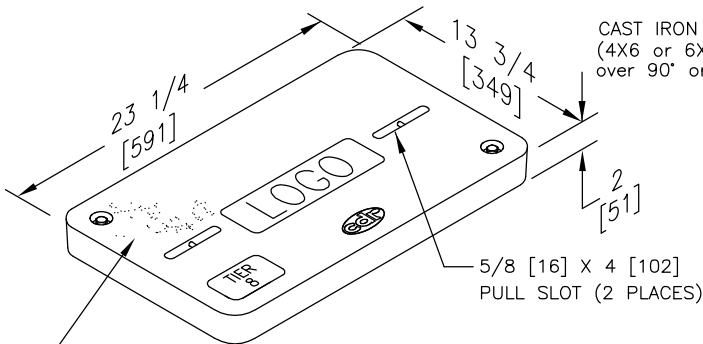
\*Gaskets reduce the inflow of fluids but do not make the enclosure water tight.

• Loadings comply with ANSI/SCTE 77 (See page 3 & 4)



# SPECIFICATIONS/DATA

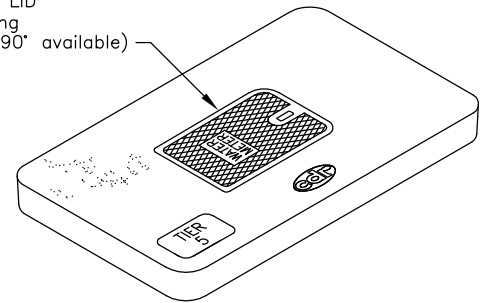
## 13" X 24" STRAIGHT WALL STYLE (STACKABLE) ASSEMBLY



**COVER**

SKID RESISTANT SURFACE

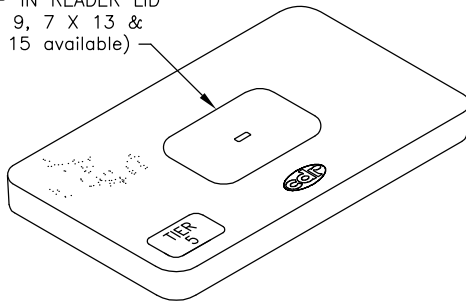
CAST IRON READER LID  
 (4X6 or 6X9 opening  
 over 90° or under 90° available)



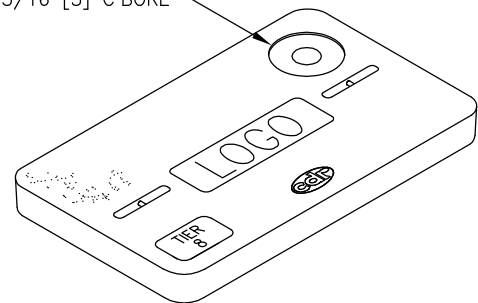
**COVER W/READER LID**

$\varnothing$  2 [51] TOUCH READER HOLE  
 w/ $\varnothing$  4  $\frac{1}{8}$  [105] X  $\frac{3}{16}$  [5] C'BORE

DROP IN READER LID  
 (6 X 9, 7 X 13 &  
 9 X 15 available)

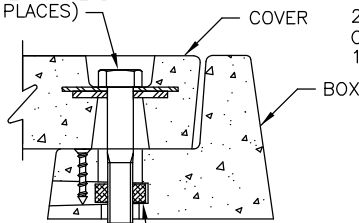


**COVER W/DROP IN READER LID**



**COVER W/TOUCH READER HOLE**

$\frac{1}{2}$ -13 UNC SS  
 CAPTIVE PENTA HEAD  
 BOLT (2 PLACES)

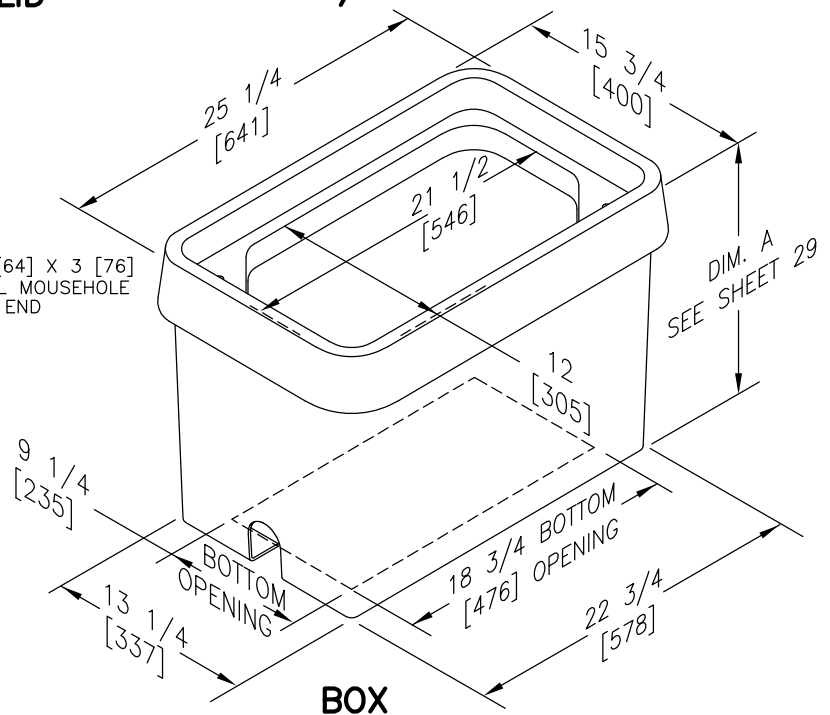


$2 \frac{1}{2}$  [64] X 3 [76]  
 OPTIONAL MOUSEHOLE  
 1 EACH END

SELF-CENTERING  
 CORROSION  
 RESISTANT NUT

**CAPTIVE BOLT DETAIL**

HEX HEAD BOLTS ARE  
 AVAILABLE ON REQUEST



**BOX**

Dimensions in brackets are in millimeters



# SPECIFICATIONS/DATA

## 13" X 24" STRAIGHT WALL STYLE (STACKABLE) ASSEMBLY

**COVERS** Bolt down covers have S.S. Captive Penta Head Bolts [Blank unless logo is specified]  
(Hex Head Bolts are available – change 2nd digit in cover part no. to "2")

DESCRIPTION	PART NO.	Old Catalog No.	WEIGHT LBS./kg.	DESIGN/TEST LOAD#	ANSI TIER
Tier 8 w/2 Bolts	C10132402A	C10-1324-02	26/12	8,000/12,000	8
Tier 8 No Bolt Down	C00132402A	C00-1324-02	26/12	8,000/12,000	8
Tier 15 w/2 Bolts	C12132402A	C12-1324-02	40/18	15,000/22,500	15
Tier 15 No Bolt Down	C02132402A	C02-1324-02	40/18	15,000/22,500	15
Tier 22 w/2 Bolts	C16132402A	special number	40/18	22,500/33,750	22
Tier 22 No Bolt Down	C06132402A	special number	40/18	22,500/33,750	22
No Bolts w/4x6 Meter Lid (Over 90)	C08132402C	C00-1324-2C	24/11	5,000/7,500	5
Bolts w/4x6 Meter Lid (Over 90)	C18132402C	C10-1324-2C	24/11	5,000/7,500	5
No Bolts w/4x6 Meter Lid (Under 90)	C08132402D	C00-1324-2C	24/11	5,000/7,500	5
Bolts w/4x6 Meter Lid (Under 90)	C18132402D	C10-1324-2C	24/11	5,000/7,500	5
No Bolts w/6x9 Meter Lid (Over 90)	C08132402E	C00-1324-2C	24/11	5,000/7,500	5
Bolts w/6x9 Meter Lid (Over 90)	C18132402E	C10-1324-2C	24/11	5,000/7,500	5
No Bolts w/6x9 Meter Lid (Under 90)	C08132402F	C00-1324-2C	24/11	5,000/7,500	5
Bolts w/6x9 Meter Lid (Under 90)	C18132402F	C10-1324-2C	24/11	5,000/7,500	5
No Bolts w/Touch Reader Hole	C00132402P	C00-1324-2TR	26/12	8,000/12,000	8
Bolts w/Touch Reader Hole	C10132402P	C10-1324-2TR	26/12	8,000/12,000	8
No Bolts w/6x9 Drop In Reader Lid	C08132402T	C00-1324-2E	40/18	5,000/7,500	5
Bolts w/6x9 Drop In Reader Lid	C18132402T	C10-1324-2E	40/18	5,000/7,500	5
No Bolts w/7x13 Drop In Reader Lid	C08132402U	C00-1324-2E	40/18	5,000/7,500	5
Bolts w/7x13 Drop In Reader Lid	C18132402U	C10-1324-2E	40/18	5,000/7,500	5
No Bolts w/9x15 Drop In Reader Lid	C08132402V	C00-1324-2E	40/18	5,000/7,500	5
Bolts w/9x15 Drop In Reader Lid	C18132402V	C10-1324-2E	40/18	5,000/7,500	5

Covers must be used with equivalent Tier boxes or higher (example a Tier 15 cover may not be used with Tier 8 box).

### BOXES (Stackable with self-aligning corrosion resistant replaceable nuts)

DESCRIPTION	PART NO.	Old Catalog No.	DIM. A IN./mm.	WEIGHT LBS./kg.	DESIGN/TEST LOAD#	ANSI TIER
Tier 8 Open Bottom	B13132412A	B13-1324-12	12/305	38/17	8,000/12,000	8
	B13132418A	B13-1324-18	18/457	44/20	8,000/12,000	8
Tier 15 Open Bottom	B14132412A	B14-1324-12	12/305	42/19	15,000/22,500	15
	B14132418A	B14-1324-18	18/457	50/23	15,000/22,500	15
Tier 22 Open Bottom	B16132412A	special number	12/305	42/19	22,500/33,750	22
	B16132418A	special number	18/457	50/23	22,500/33,750	22
Tier 8 Solid Bottom	B13132412B	B13-1324-12B	12/305	40/18	8,000/12,000	8
	B13132418B	B13-1324-18B	18/457	46/21	8,000/12,000	8
Tier 15 Solid Bottom	B14132412B	B14-1324-12B	12/305	44/20	15,000/22,500	15
	B14132418B	B14-1324-18B	18/457	52/24	15,000/22,500	15
Tier 22 Solid Bottom	B16132412B	special number	12/305	44/20	22,500/33,750	22
	B16132418B	special number	18/457	52/24	22,500/33,750	22
Tier 8 Open Bottom w/ Gasket*	B13132412G	B13-1324-12G	12/305	38/17	8,000/12,000	8
	B13132418G	B13-1324-18G	18/457	44/20	8,000/12,000	8
Tier 15 Open Bottom w/ Gasket*	B14132412G	B14-1324-12G	12/305	42/19	15,000/22,500	15
	B14132418G	B14-1324-18G	18/457	50/23	15,000/22,500	15
Tier 22 Open Bottom w/ Gasket*	B16132412G	special number	12/305	42/19	22,500/33,750	22
	B16132418G	special number	18/457	50/23	22,500/33,750	22
Tier 8 Solid Bottom w/ Gasket*	B131324500	B13-1324-12BG	12/305	40/18	8,000/12,000	8
	B131324501	B13-1324-18BG	18/457	46/21	8,000/12,000	8
Tier 15 Solid Bottom w/ Gasket*	B141324500	B14-1324-12BG	12/305	44/20	15,000/22,500	15
	B141324501	B14-1324-18BG	18/457	52/24	15,000/22,500	15
Tier 22 Solid Bottom w/ Gasket*	B161324500	special number	12/305	44/20	22,500/33,750	22
	B161324501	special number	18/457	52/24	22,500/33,750	22
Tier 8 Open Bottom w/ Standard Mouseholes	B13132412M	B13-1324-12	12/305	38/17	8,000/12,000	8
	B13132418M	B13-1324-18	18/457	44/20	8,000/12,000	8
Tier 15 Open Bottom w/ Standard Mouseholes	B14132412M	B14-1324-12	12/305	42/19	15,000/22,500	15
	B14132418M	B14-1324-18	18/457	50/23	15,000/22,500	15
Tier 22 Open Bottom w/ Standard Mouseholes	B16132412M	special number	12/305	42/19	22,500/33,750	22
	B16132418M	special number	18/457	50/23	22,500/33,750	22

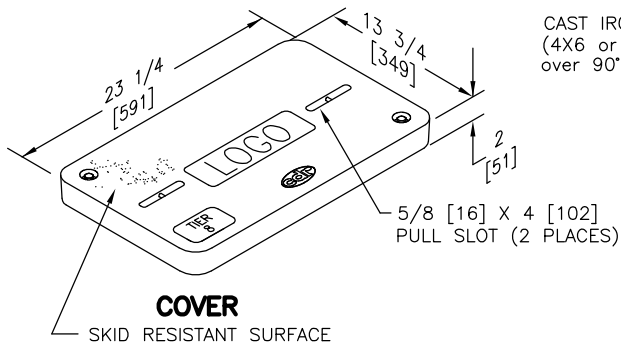
\*Gaskets reduce the inflow of fluids but do not make the enclosure water tight.

● Loadings comply with ANSI/SCTE 77 (See page 3 & 4)

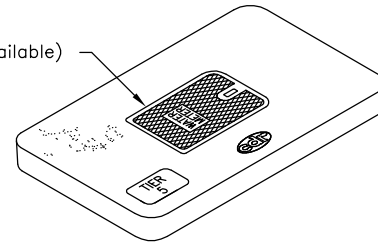


# SPECIFICATIONS/DATA

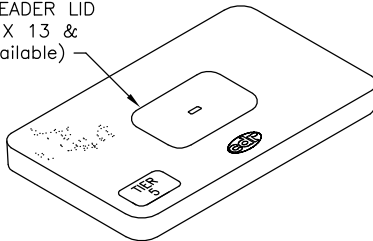
## 13" X 24" FLARED WALL STYLE (NESTABLE) ASSEMBLY



CAST IRON READER LID  
(4X6 or 6X9 opening  
over 90° or under 90° available)

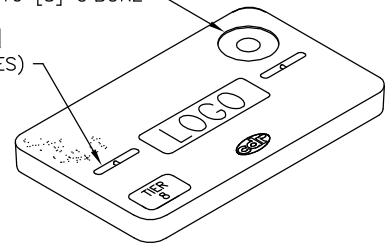


DROP IN READER LID  
(6 X 9, 7 X 13 &  
9 X 15 available)



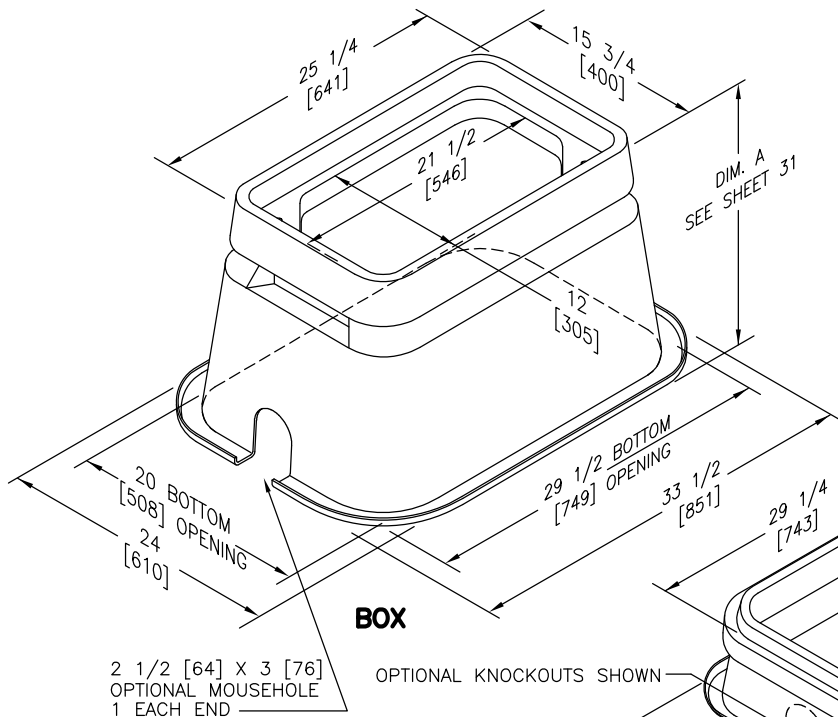
Ø2 [51] TOUCH READER HOLE  
w/Ø4 1/8 [105] X 3/16 [5] C'BORE

5/8 [16] X 4 [102]  
PULL SLOT (2 PLACES)

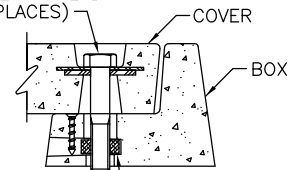


COVER W/DROP IN READER LID

COVER W/TOUCH READER HOLE



1/2-13 UNC SS  
CAPTIVE PENTA HEAD  
BOLT (2 PLACES)



**CAPTIVE BOLT DETAIL**  
HEX HEAD BOLTS ARE  
AVAILABLE ON REQUEST

Dimensions in brackets are in millimeters



# SPECIFICATIONS/DATA

## 13" X 24" FLARED WALL STYLE (NESTABLE) ASSEMBLY

**COVERS** Bolt down covers have S.S. Captive Penta Head Bolts [Blank unless logo is specified] (Hex Head Bolts are available – change 2nd digit in cover part no. to "2")

DESCRIPTION	PART NO.	Old Catalog No.	WEIGHT# LBS./kg.	DESIGN/TEST LOAD#	ANSI TIER
Tier 8 w/2 Bolts	C10132402A	C10-1324-02	26/12	8,000/12,000	8
Tier 15 No Bolt Down	C00132402A	C00-1324-02	26/12	8,000/12,000	8
Tier 8 w/2 Bolts	C12132402A	C12-1324-02	40/18	15,000/22,500	15
Tier 15 No Bolt Down	C02132402A	C02-1324-02	40/18	15,000/22,500	15
Tier 22 w/2 Bolts	C16132402A	special number	40/18	22,500/33,750	22
Tier 22 No Bolt Down	C06132402A	special number	40/18	22,500/33,750	22
No Bolts w/4x6 Meter Lid (Over 90)	C08132402C	C00-1324-2C	24/11	5,000/7,500	5
Bolts w/4x6 Meter Lid (Over 90)	C18132402C	C10-1324-2C	24/11	5,000/7,500	5
No Bolts w/4x6 Meter Lid (Under 90)	C08132402D	C00-1324-2C	24/11	5,000/7,500	5
Bolts w/4x6 Meter Lid (Under 90)	C18132402D	C10-1324-2C	24/11	5,000/7,500	5
No Bolts w/6x9 Meter Lid (Over 90)	C08132402E	C00-1324-2C	24/11	5,000/7,500	5
Bolts w/6x9 Meter Lid (Over 90)	C18132402E	C10-1324-2C	24/11	5,000/7,500	5
No Bolts w/6x9 Meter Lid (Under 90)	C08132402F	C00-1324-2C	24/11	5,000/7,500	5
Bolts w/6x9 Meter Lid (Under 90)	C18132402F	C10-1324-2C	24/11	5,000/7,500	5
No Bolts w/Touch Reader Hole	C00132402P	C00-1324-2TR	26/12	8,000/12,000	8
Bolts w/Touch Reader Hole	C10132402P	C10-1324-2TR	26/12	8,000/12,000	8
No Bolts w/6x9 Drop In Reader Lid	C08132402T	C00-1324-2E	40/18	5,000/7,500	5
Bolts w/6x9 Drop In Reader Lid	C18132402T	C10-1324-2E	40/18	5,000/7,500	5
No Bolts w/7x13 Drop In Reader Lid	C08132402U	C00-1324-2E	40/18	5,000/7,500	5
Bolts w/7x13 Drop In Reader Lid	C18132402U	C10-1324-2E	40/18	5,000/7,500	5
No Bolts w/9x15 Drop In Reader Lid	C08132402V	C00-1324-2E	40/18	5,000/7,500	5
Bolts w/9x15 Drop In Reader Lid	C18132402V	C10-1324-2E	40/18	5,000/7,500	5

Covers must be used with equivalent Tier boxes or higher (example a Tier 15 cover may not be used with Tier 8 box).

### BOXES (Nestable with self-aligning corrosion resistant replaceable nuts)

DESCRIPTION	PART NO.	Old Catalog No.	DIM. A IN./mm.	WEIGHT# LBS./kg.	DESIGN/TEST LOAD#
Tier 8	B10132412A	B10-1324-12	12/305	38/17	8,000/12,000
	B10132418A	B10-1324-18	18/457	44/20	8,000/12,000
	B10132424A	B10-1324-24	24/610	52/24	8,000/12,000
Tier 15	B12132412A	B12-1324-12	12/305	42/19	15,000/22,500
	B12132418A	B12-1324-18	18/457	50/23	15,000/22,500
	B12132424A	B12-1324-24	24/610	58/26	15,000/22,500
Tier 22	B19132412A	special number	12/305	42/19	22,500/33,750
	B19132418A	special number	18/457	50/23	22,500/33,750
	B19132424A	special number	24/610	58/26	22,500/33,750
Tier 8 w/ Gasket*	B10132412G	B10-1324-12G	12/305	38/17	8,000/12,000
	B10132418G	B10-1324-18G	18/457	44/20	8,000/12,000
	B10132424G	B10-1324-24G	24/610	52/24	8,000/12,000
Tier 15 w/ Gasket*	B12132412G	B12-1324-12G	12/305	42/19	15,000/22,500
	B12132418G	B12-1324-18G	18/457	50/23	15,000/22,500
	B12132424G	B12-1324-24G	24/610	58/26	15,000/22,500
Tier 22 w/ Gasket*	B19132412G	special number	12/305	42/19	22,500/33,750
	B19132418G	special number	18/457	50/23	22,500/33,750
	B19132424G	special number	24/610	58/26	22,500/33,750
Tier 8 w/ Standard Mouseholes	B10132412M	B10-1324-12	12/305	38/17	8,000/12,000
	B10132418M	B10-1324-18	18/457	44/20	8,000/12,000
	B10132424M	B10-1324-24	24/610	52/24	8,000/12,000
Tier 15 w/ Standard Mouseholes	B12132412M	B12-1324-12	12/305	42/19	15,000/22,500
	B12132418M	B12-1324-18	18/457	50/23	15,000/22,500
	B12132424M	B12-1324-24	24/610	58/26	15,000/22,500
Tier 22 w/ Standard Mouseholes	B19132412M	special number	12/305	42/19	22,500/33,750
	B19132418M	special number	18/457	50/23	22,500/33,750
	B19132424M	special number	24/610	58/26	22,500/33,750

\*Gaskets reduce the inflow of fluids but do not make the enclosure water tight.

- Loadings comply with ANSI/SCTE 77 (See page 3 & 4)

### EXTENSION (Optional Knockouts or Terminators are available)

DESCRIPTION	PART NO.	Old Catalog No.	WEIGHT# LBS./kg.	DESIGN/TEST LOAD#	ANSI TIER
Tier 8 8" Deep	E00132408A	E00-1324-08	33/15	8,000/12,000	8
Tier 15 8" Deep	E02132408A	E02-1324-08	38/17	15,000/22,500	15

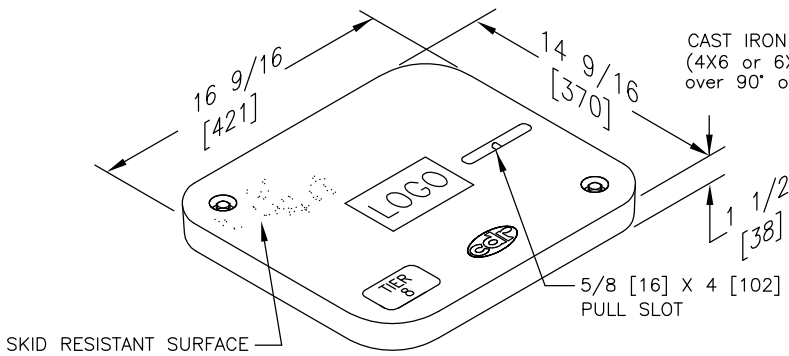
12" [305] deep flared wall boxes will not work with extensions



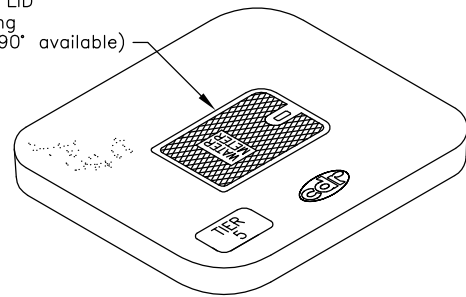


# SPECIFICATIONS/DATA

## 15" X 17" STRAIGHT WALL STYLE (STACKABLE) ASSEMBLY

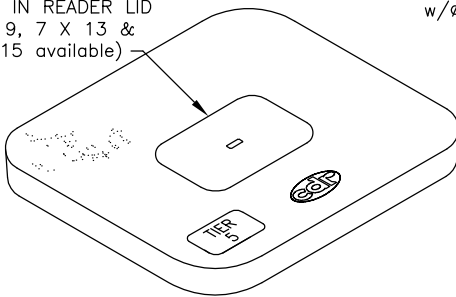


**COVER**



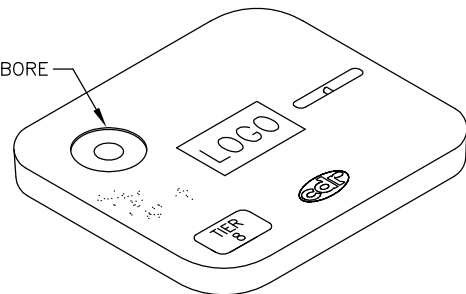
**COVER W/READER LID**

DROP IN READER LID  
(6 X 9, 7 X 13 & 9 X 15 available)



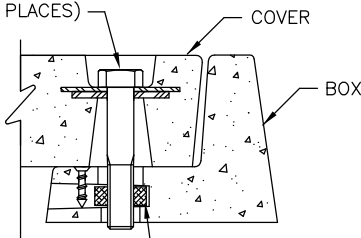
**COVER W/DROP IN READER LID**

Ø2 [51] TOUCH READER HOLE  
w/Ø4 1/8 [105] X 3/16 [5] C'BORE



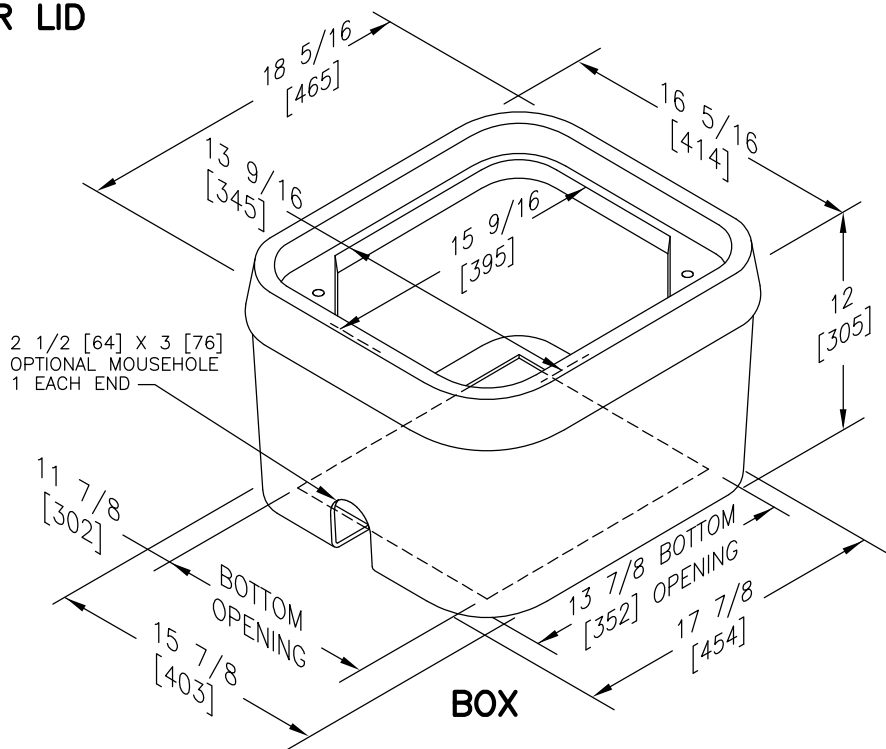
**COVER W/TOUCH READER HOLE**

1/2-13 UNC SS CAPTIVE PENTA HEAD BOLT (2 PLACES)



**CAPTIVE BOLT DETAIL**

HEX HEAD BOLTS ARE AVAILABLE ON REQUEST



**BOX**

Dimensions in brackets are in millimeters



# SPECIFICATIONS/DATA

## 15" X 17" STRAIGHT WALL STYLE (STACKABLE) ASSEMBLY

**COVERS** Bolt down covers have S.S. Captive Penta Head Bolts [Blank unless logo is specified]  
(Hex Head Bolts are available – change 2nd digit in cover part no. to "2")

DESCRIPTION	PART NO.	Old Catalog No.	WEIGHT LBS./kg.	DESIGN/TEST LOAD#	ANSI TIER
Tier 8 w/2 Bolts	C10151702A	WC10-1517-02	22/10	8,000/12,000	8
Tier 8 No Bolt Down	C00151702A	WC00-1517-02	22/10	8,000/12,000	8
Tier 15 w/2 Bolts	C12151702A	WC12-1517-02	25/11	15,000/22,500	15
Tier 15 No Bolt Down	C02151702A	WC02-1517-02	25/11	15,000/22,500	15
No Bolts w/4x6 Meter Lid (Over 90)	C08151702C	WC00-1517-2C	20/9	5,000/7,500	5
Bolts w/4x6 Meter Lid (Over 90)	C18151702C	WC10-1517-2C	20/9	5,000/7,500	5
No Bolts w/4x6 Meter Lid (Under 90)	C08151702D	WC00-1517-2C	20/9	5,000/7,500	5
Bolts w/4x6 Meter Lid (Under 90)	C18151702D	WC10-1517-2C	20/9	5,000/7,500	5
No Bolts w/6x9 Meter Lid (Over 90)	C08151702E	WC00-1517-2C	20/9	5,000/7,500	5
Bolts w/6x9 Meter Lid (Over 90)	C18151702E	WC10-1517-2C	20/9	5,000/7,500	5
No Bolts w/6x9 Meter Lid (Under 90)	C08151702F	WC00-1517-2C	20/9	5,000/7,500	5
Bolts w/6x9 Meter Lid (Under 90)	C18151702F	WC10-1517-2C	20/9	5,000/7,500	5
No Bolts w/Touch Reader Hole	C00151702P	WC00-1517-2TR	22/10	8,000/12,000	8
Bolts w/Touch Reader Hole	C10151702P	WC10-1517-2TR	22/10	8,000/12,000	8
No Bolts w/6x9 Drop In Reader Lid	C08151702T	WC00-1517-2E	22/10	5,000/7,500	5
Bolts w/6x9 Drop In Reader Lid	C18151702T	WC10-1517-2E	22/10	5,000/7,500	5
No Bolts w/7x13 Drop In Reader Lid	C08151702U	WC00-1517-2E	22/10	5,000/7,500	5
Bolts w/7x13 Drop In Reader Lid	C18151702U	WC10-1517-2E	22/10	5,000/7,500	5
No Bolts w/9x15 Drop In Reader Lid	C08151702V	WC00-1517-2E	22/10	5,000/7,500	5
Bolts w/9x15 Drop In Reader Lid	C18151702V	WC10-1517-2E	22/10	5,000/7,500	5

### BOXES (Stackable with self-aligning corrosion resistant replaceable nuts)

DESCRIPTION	PART NO.	Old Catalog No.	WEIGHT LBS./kg.	DESIGN/TEST LOAD#	ANSI TIER
Tier 8 Non-Bolted Open Bottom	B03151712A	WB03-1517-12	24/11	8,000/12,000	8
Tier 8 Open Bottom	B13151712A	WB13-1517-12	24/11	8,000/12,000	8
Tier 15 Non-Bolted Open Bottom	B04151712A	WB04-1517-12	28/13	15,000/22,500	15
Tier 15 Open Bottom	B14151712A	WB14-1517-12	28/13	15,000/22,500	15
Tier 8 Non-Bolted Solid Bottom	B03151712B	WB03-1517-12B	26/12	8,000/12,000	8
Tier 8 Solid Bottom	B13151712B	WB13-1517-12B	26/12	8,000/12,000	8
Tier 15 Non-Bolted Solid Bottom	B04151712B	WB04-1517-12B	30/14	15,000/22,500	15
Tier 15 Solid Bottom	B14151712B	WB14-1517-12B	30/14	15,000/22,500	15
Tier 8 Open Bottom w/Gasket*	B13151712G	WB13-1517-12G	24/11	8,000/12,000	8
Tier 15 Open Bottom w/Gasket*	B14151712G	WB14-1517-12G	24/11	15,000/22,500	15
Tier 8 Solid Bottom w/Gasket*	B131517502	WB13-1517-12BG	26/12	8,000/12,000	8
Tier 15 Non-Bolted w/Gasket*	B141517500	WB14-1517-12BG	30/14	15,000/22,500	15
Tier 8 Non-Bolted Open Bottom w/ Standard Mouseholes	B03151712M	WB03-1517-12	24/11	8,000/12,000	8
Tier 8 Open Bottom w/ Standard Mouseholes	B13151712M	WB13-1517-12	24/11	8,000/12,000	8
Tier 15 Non-Bolted Open Bottom w/ Standard Mouseholes	B04151712M	WB04-1517-12	28/13	8,000/12,000	15
Tier 15 Open Bottom w/ Standard Mouseholes	B14151712M	WB14-1517-12	28/13	8,000/12,000	15

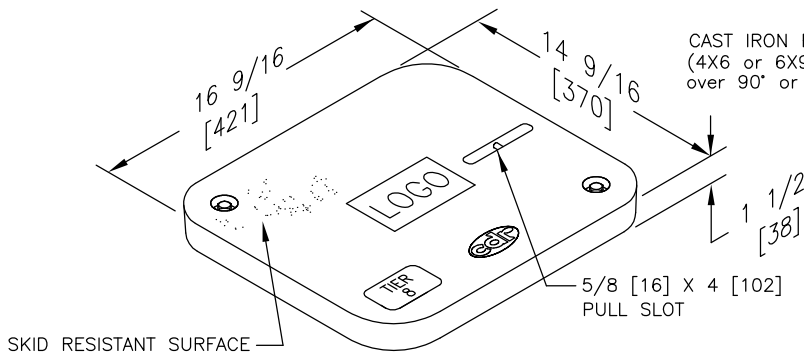
\*Gaskets reduce the inflow of fluids but do not make the enclosure water tight.

- Loadings comply with ANSI/SCTE 77 (See page 3 & 4)



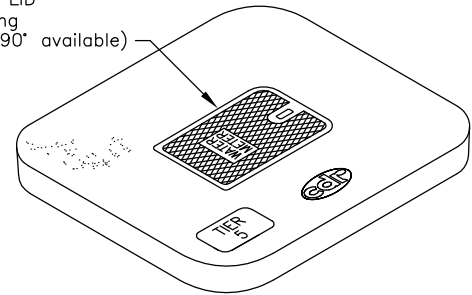
# SPECIFICATIONS/DATA

## 15" X 17" FLARED WALL STYLE (NESTABLE) ASSEMBLY



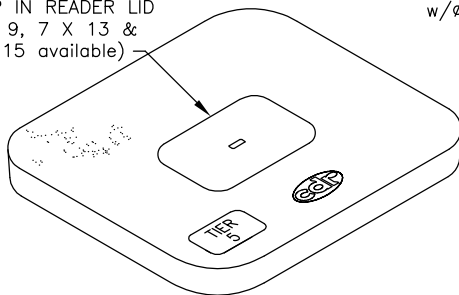
**COVER**

CAST IRON READER LID  
(4X6 or 6X9 opening over 90° or under 90° available)



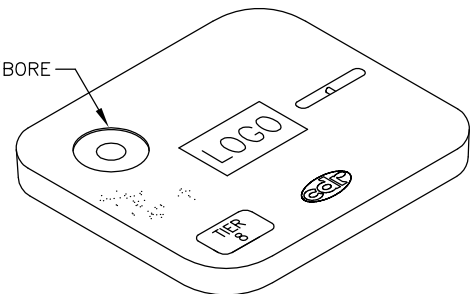
**COVER W/READER LID**

DROP IN READER LID  
(6 X 9, 7 X 13 & 9 X 15 available)



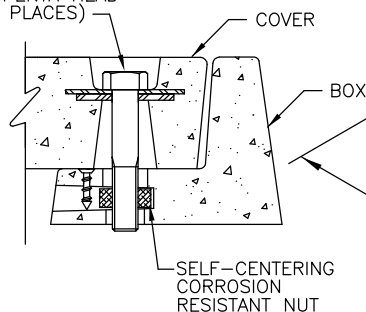
**COVER W/DROP IN READER LID**

∅2 [51] TOUCH READER HOLE  
w/∅4 1/8 [105] X 3/16 [5] C'BORE



**COVER W/TOUCH READER HOLE**

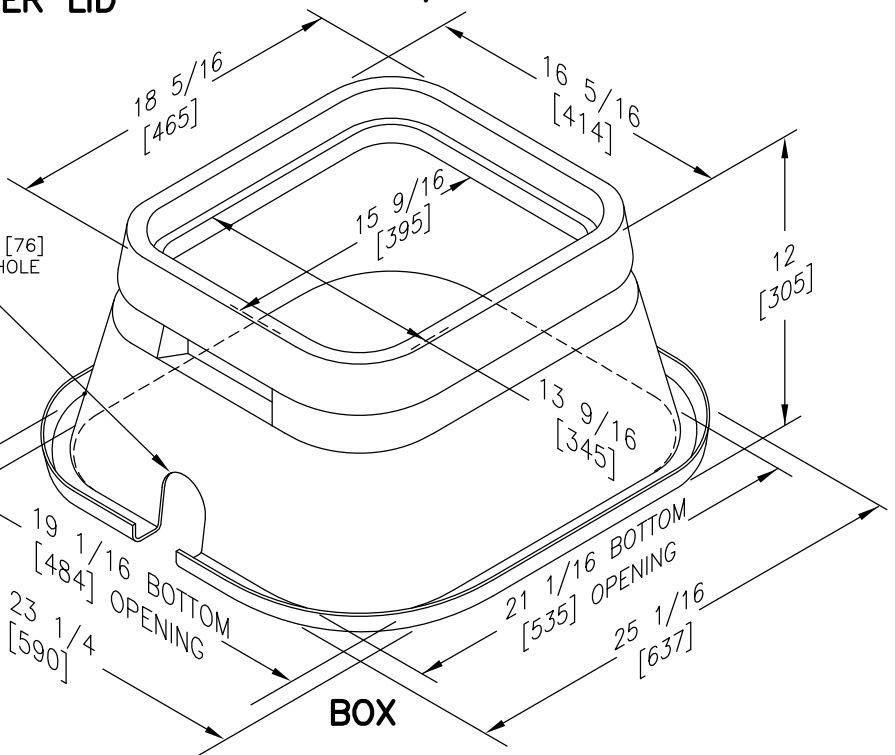
1/2-13 UNC SS CAPTIVE PENTA HEAD BOLT (2 PLACES)



**CAPTIVE BOLT DETAIL**

HEX HEAD BOLTS ARE AVAILABLE ON REQUEST

2 1/2 [64] X 3 [76] OPTIONAL MOUSEHOLE 1 EACH END



Dimensions in brackets are in millimeters



# SPECIFICATIONS/DATA

## 15" X 17" FLARED WALL STYLE (NESTABLE) ASSEMBLY

**COVERS** Bolt down covers have S.S. Captive Penta Head Bolts [Blank unless logo is specified]  
 (Hex Head Bolts are available – change 2nd digit in cover part no. to "2")

DESCRIPTION	PART NO.	Old Catalog No.	WEIGHT LBS./kg.	DESIGN/TEST LOAD#	ANSI TIER
Tier 8 w/2 Bolts	C10151702A	WC10-1517-02	22/10	8,000/12,000	8
Tier 8 No Bolt Down	C00151702A	WC00-1517-02	22/10	8,000/12,000	8
Tier 15 w/2 Bolts	C12151702A	WC12-1517-02	22/10	15,000/22,500	15
Tier 15 No Bolt Down	C02151702A	WC02-1517-02	22/10	15,000/22,500	15
No Bolts w/4x6 Meter Lid (Over 90)	C08151702C	WC00-1517-2C	20/9	5,000/7,500	5
Bolts w/4x6 Meter Lid (Over 90)	C18151702C	WC10-1517-2C	20/9	5,000/7,500	5
No Bolts w/4x6 Meter Lid (Under 90)	C08151702D	WC00-1517-2C	20/9	5,000/7,500	5
Bolts w/4x6 Meter Lid (Under 90)	C18151702D	WC10-1517-2C	20/9	5,000/7,500	5
No Bolts w/6x9 Meter Lid (Over 90)	C08151702E	WC00-1517-2C	20/9	5,000/7,500	5
Bolts w/6x9 Meter Lid (Over 90)	C18151702E	WC10-1517-2C	20/9	5,000/7,500	5
No Bolts w/6x9 Meter Lid (Under 90)	C08151702F	WC00-1517-2C	20/9	5,000/7,500	5
Bolts w/6x9 Meter Lid (Under 90)	C18151702F	WC10-1517-2C	20/9	5,000/7,500	5
No Bolts w/Touch Reader Hole	C00151702P	WC00-1517-2TR	22/10	8,000/12,000	8
Bolts w/Touch Reader Hole	C10151702P	WC10-1517-2TR	22/10	8,000/12,000	8
No Bolts w/6x9 Drop In Reader Lid	C08151702T	WC00-1517-2E	22/10	5,000/7,500	5
Bolts w/6x9 Drop In Reader Lid	C18151702T	WC10-1517-2E	22/10	5,000/7,500	5
No Bolts w/7x13 Drop In Reader Lid	C08151702U	WC00-1517-2E	22/10	5,000/7,500	5
Bolts w/7x13 Drop In Reader Lid	C18151702U	WC10-1517-2E	22/10	5,000/7,500	5
No Bolts w/9x15 Drop In Reader Lid	C08151702V	WC00-1517-2E	22/10	5,000/7,500	5
Bolts w/9x15 Drop In Reader Lid	C18151702V	WC10-1517-2E	22/10	5,000/7,500	5

### BOXES (Nestable with self-aligning corrosion resistant replaceable nuts)

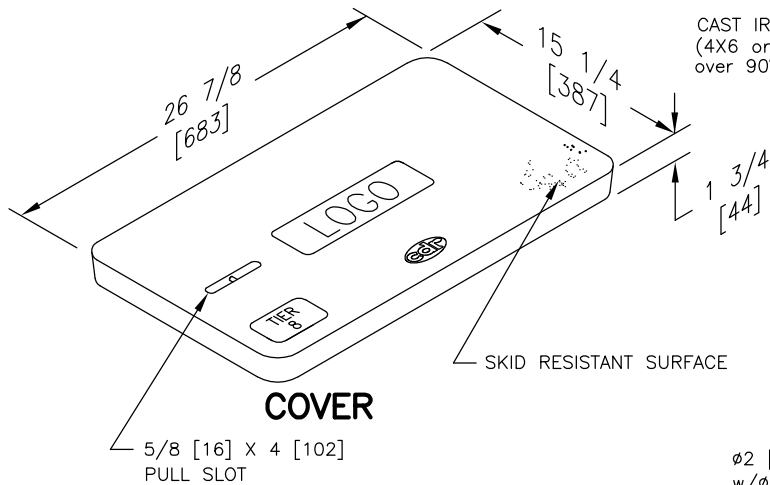
DESCRIPTION	PART NO.	Old Catalog No.	WEIGHT# LBS./kg.	DESIGN/TEST LOAD#	ANSI TIER
Tier 8 Non-Bolt down	B00151712A	WB00-1517-12	26/12	8,000/12,000	8
Tier 8 Bolt down	B10151712A	WB10-1517-12	26/12	8,000/12,000	8
Tier 15 Non-Bolt down	B02151712A	WB02-1517-12	30/14	15,000/22,500	15
Tier 15 Bolt down	B12151712A	WB12-1517-12	30/14	15,000/22,500	15
Tier 8 w/ Gasket*	B10151712G	WB10-1517-12G	26/12	8,000/12,000	8
Tier 15 w/ Gasket*	B12151712G	WB12-1517-12G	30/14	15,000/22,500	15
Tier 8 Non-Bolt down w/ Standard Mouseholes	B00151712M	WB00-1517-12	26/12	8,000/12,000	8
Tier 8 w/ Standard Mouseholes	B10151712M	WB10-1517-12	30/14	8,000/12,000	8
Tier 15 Non-Bolt down w/ Standard Mouseholes	B02151712M	WB02-1517-12	26/12	15,000/22,500	15
Tier 15 w/ Standard Mouseholes	B12151712M	WB12-1517-12	30/14	15,000/22,500	15

- \*Gaskets reduce the inflow of fluids but do not make the enclosure water tight.  
 ● Loadings comply with ANSI/SCTE 77 (See page 3 & 4)

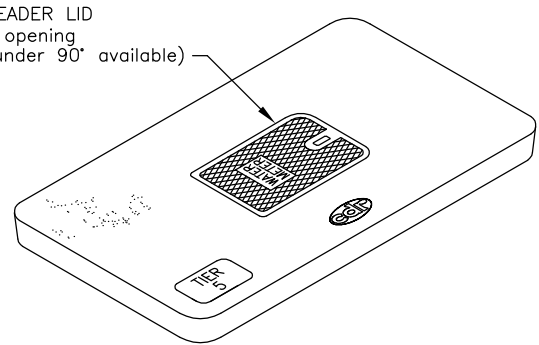


# SPECIFICATIONS/DATA

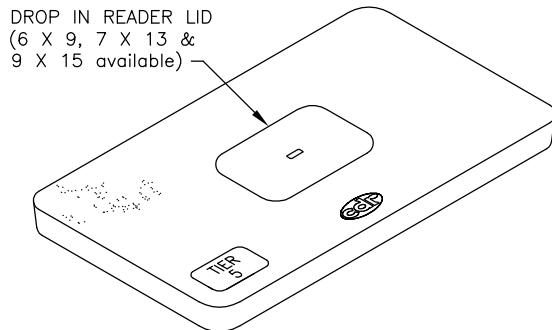
## 15" X 27" STRAIGHT WALL STYLE (STACKABLE) ASSEMBLY



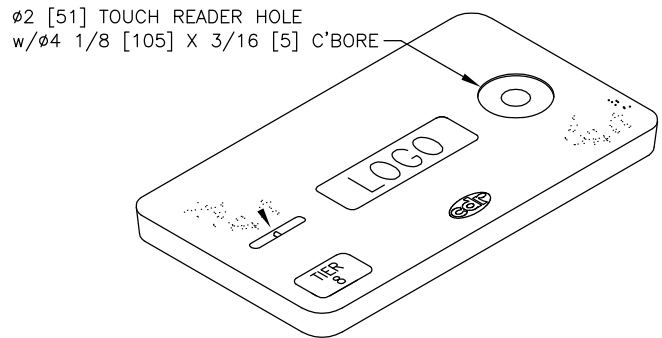
**COVER**



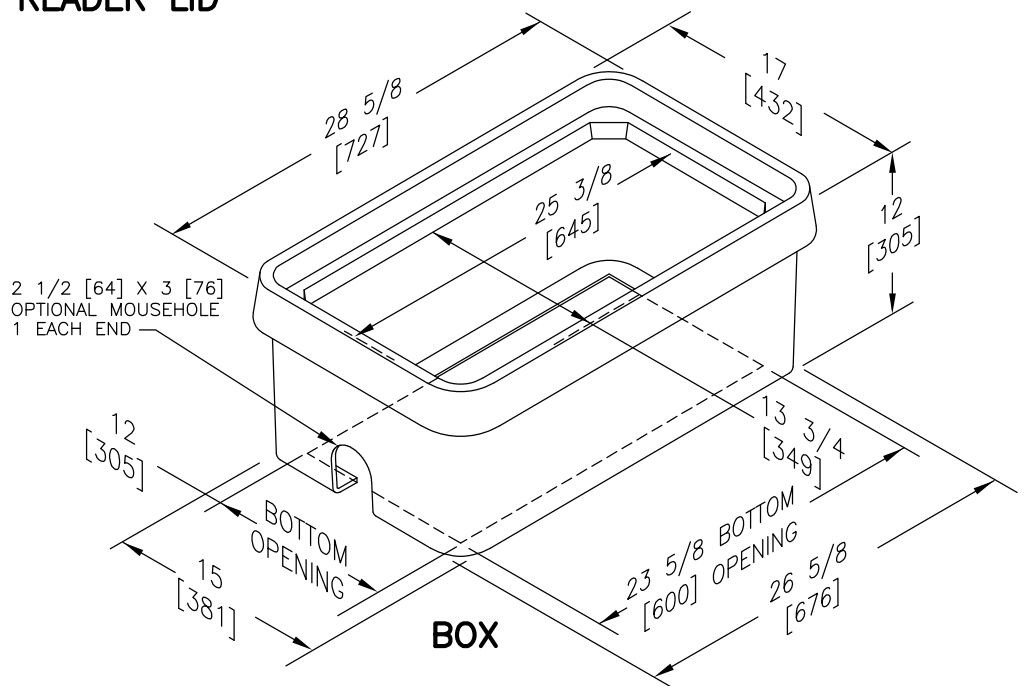
**COVER W/READER LID**



**COVER W/DROP IN READER LID**



**COVER W/TOUCH READER HOLE**



Dimensions in brackets are in millimeters



# SPECIFICATIONS/DATA

## 15" X 27" STRAIGHT WALL STYLE (STACKABLE) ASSEMBLY

**COVERS** Bolt down covers have S.S. Captive Penta Head Bolts [Blank unless logo is specified]  
 (Hex Head Bolts are available – change 2nd digit in cover part no. to "2")

DESCRIPTION	PART NO.	Old Catalog No.	WEIGHT LBS./kg.	DESIGN/TEST LOAD#	ANSI TIER
Tier 8 No Bolt Down	C00152702A	WC00-1527-02	43/20	8,000/12,000	8
Tier 15 No Bolt Down	C02152702A	WC02-1527-02	43/20	8,000/12,000	15
No Bolts w/4x6 Meter Lid (Over 90)	C08152702C	WC00-1527-2C	41/19	5,000/7,500	5
No Bolts w/4x6 Meter Lid (Under 90)	C08152702D	WC00-1527-2C	41/19	5,000/7,500	5
No Bolts w/6x9 Meter Lid (Over 90)	C08152702E	WC00-1527-2C	41/19	5,000/7,500	5
No Bolts w/6x9 Meter Lid (Under 90)	C08152702F	WC00-1527-2C	41/19	5,000/7,500	5
No Bolts w/Touch Reader Hole	C00152702P	WC00-1527-2TR	43/20	8,000/12,000	8
No Bolts w/6x9 Drop In Reader Lid	C08152702T	WC00-1527-2E	43/20	5,000/7,500	5
No Bolts w/7x13 Drop In Reader Lid	C08152702U	WC00-1527-2E	43/20	5,000/7,500	5
No Bolts w/9x15 Drop In Reader Lid	C08152702V	WC00-1527-2E	43/20	5,000/7,500	5

### BOXES (Stackable)

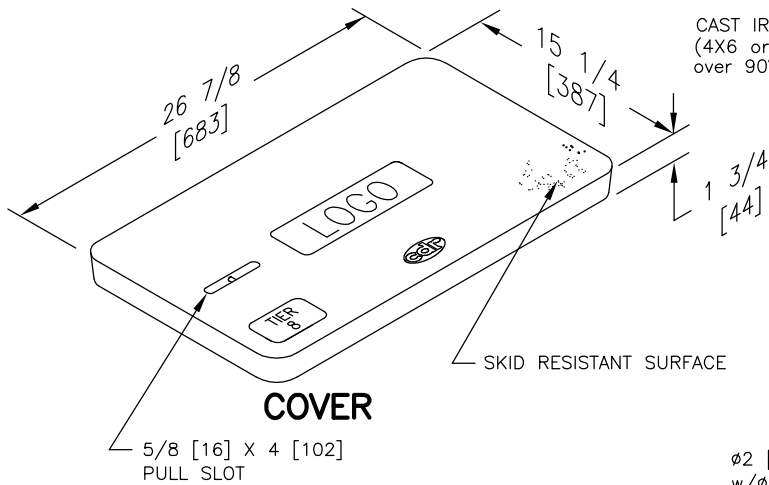
DESCRIPTION	PART NO.	Old Catalog No.	WEIGHT LBS./kg.	DESIGN/TEST LOAD#	ANSI TIER
Tier 8	B03152712A	WA03-1527-12	32/15	8,000/12,000	8
Tier 15	B04152712A	WA04-1527-12	36/16	15,000/22,500	15
Tier 8 Solid Bottom	B03152712B	WA03-1527-12B	32/15	8,000/12,000	8
Tier 15 Solid Bottom	B04152712B	WA04-1527-12B	38/17	15,000/22,500	15
Tier 8 w/ Standard Mouseholes	B03152712M	WA03-1527-12	32/15	8,000/12,000	8
Tier 15 w/ Standard Mouseholes	B04152712M	WA04-1527-12	36/16	15,000/22,500	15

● Loadings comply with ANSI/SCTE 77 (See page 3 & 4)

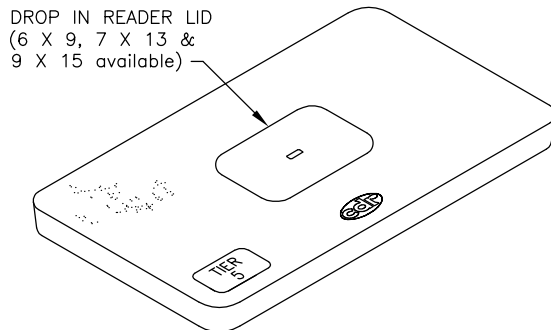
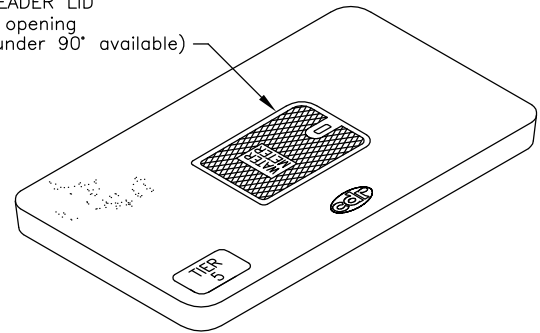


# SPECIFICATIONS/DATA

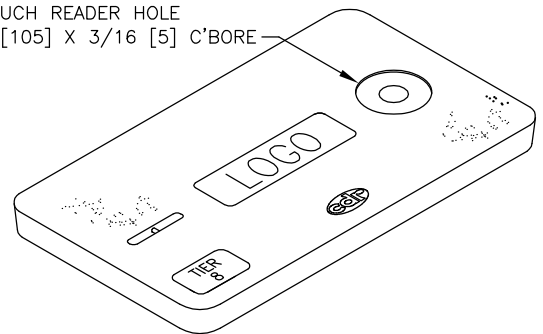
## 15" X 27" STRAIGHT WALL STYLE (STACKABLE) ASSEMBLY



CAST IRON READER LID  
 (4X6 or 6X9 opening  
 over 90° or under 90° available)

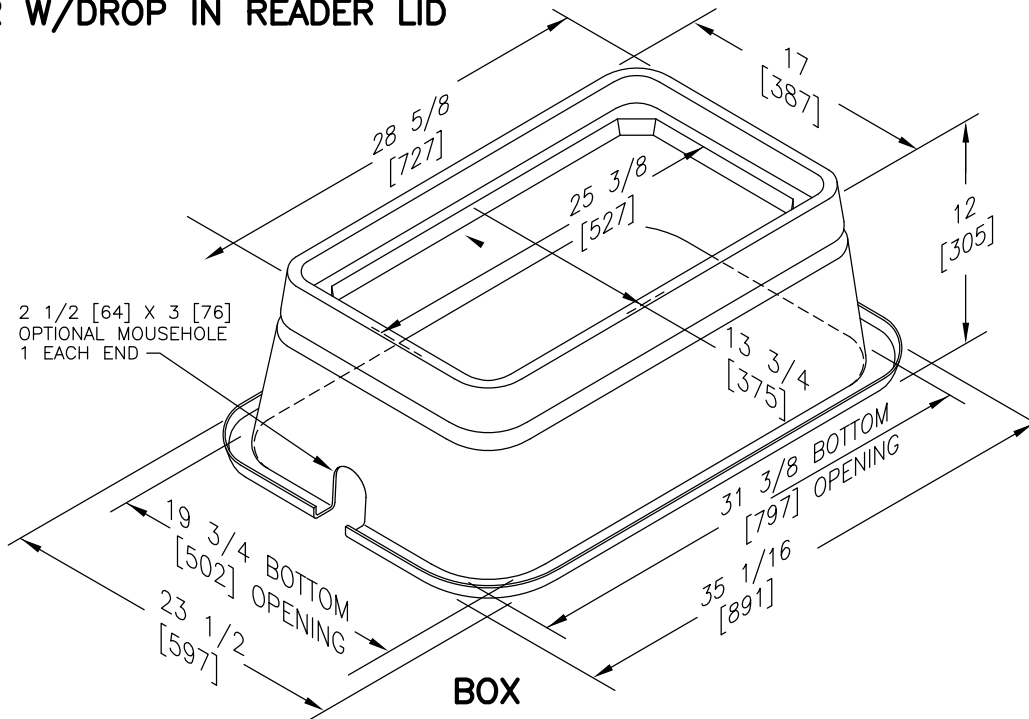


$\varnothing 2$  [51] TOUCH READER HOLE  
 w/ $\varnothing 4 \frac{1}{8}$  [105] X  $\frac{3}{16}$  [5] C'BORE



**COVER W/DROP IN READER LID**

**COVER W/TOUCH READER HOLE**



Dimensions in brackets are in millimeters



# SPECIFICATIONS/DATA

15" X 27" FLARED WALL STYLE (NESTABLE) ASSEMBLY

**COVERS** Bolt down covers have S.S. Captive Penta Head Bolts [Blank unless logo is specified]  
 (Hex Head Bolts are available – change 2nd digit in cover part no. to "2")

DESCRIPTION	PART NO.	Old Catalog No.	WEIGHT LBS./kg.	DESIGN/TEST LOAD#	ANSI TIER
Tier 8 No Bolt Down	C00152702A	WC00-1527-02	43/20	8,000/12,000	8
Tier 15 No Bolt Down	C02152702A	WC02-1527-02	47/21	8,000/12,000	15
No Bolts w/4x6 Meter Lid (Over 90)	C08152702C	WC00-1527-2C	41/19	5,000/7,500	5
No Bolts w/4x6 Meter Lid (Under 90)	C08152702D	WC00-1527-2C	41/19	5,000/7,500	5
No Bolts w/6x9 Meter Lid (Over 90)	C08152702E	WC00-1527-2C	41/19	5,000/7,500	5
No Bolts w/6x9 Meter Lid (Under 90)	C08152702F	WC00-1527-2C	41/19	5,000/7,500	5
No Bolts w/Touch Reader Hole	C00152702P	WC00-1527-2TR	43/20	8,000/12,000	8
No Bolts w/6x9 Drop In Reader Lid	C08152702T	WC00-1527-2E	43/20	5,000/7,500	5
No Bolts w/7x13 Drop In Reader Lid	C08152702U	WC00-1527-2E	43/20	5,000/7,500	5
No Bolts w/9x15 Drop In Reader Lid	C08152702V	WC00-1527-2E	43/20	5,000/7,500	5

**BOXES** (Nestable with self-aligning corrosion resistant replaceable nuts)

DESCRIPTION	PART NO.	Old Catalog No.	WEIGHT# LBS./kg.	DESIGN/TEST LOAD#	ANSI TIER
Tier 8 No Bolt down	B00152712A	WB00-1527-12	35/16	8,000/12,000	8
Tier 15 No Bolt down	B02152712A	WB02-1527-12	40/18	15,000/22,500	15
Tier 8 No Bolt down w/ Standard Mouseholes	B00152712M	WB00-1527-12	35/16	8,000/12,000	8
Tier 15 No Bolt down w/ Standard Mouseholes	B02152712M	WB02-1527-12	40/18	15,000/22,500	15

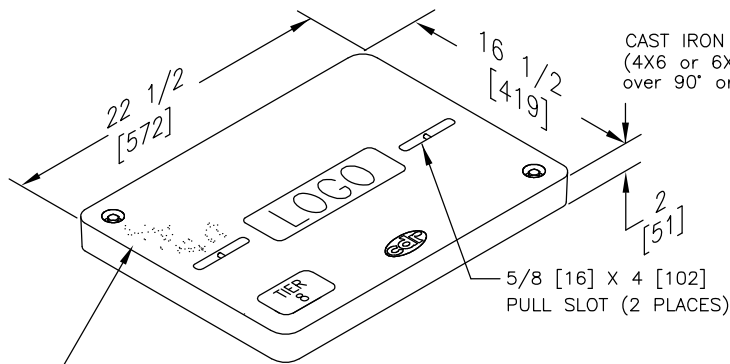
• Loadings comply with ANSI/SCTE 77 (See page 3 & 4)



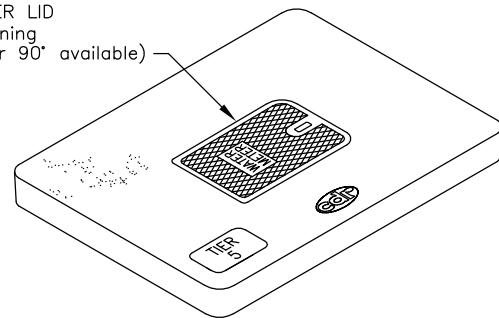


# SPECIFICATIONS/DATA

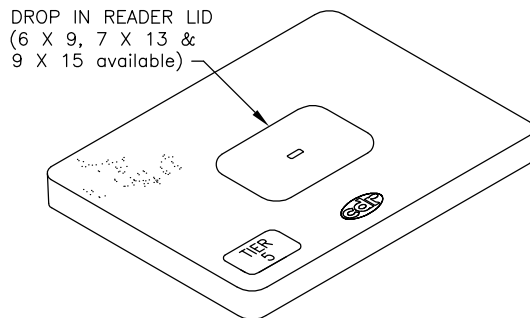
## 16" X 22" STRAIGHT WALL STYLE (STACKABLE) ASSEMBLY



**COVER**

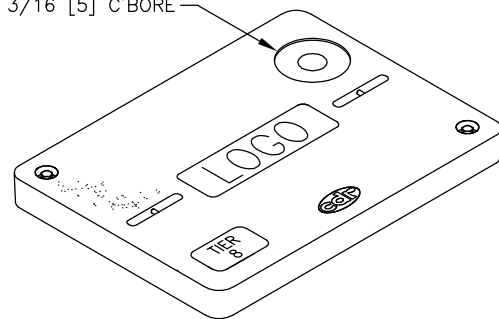


**COVER W/READER LID**

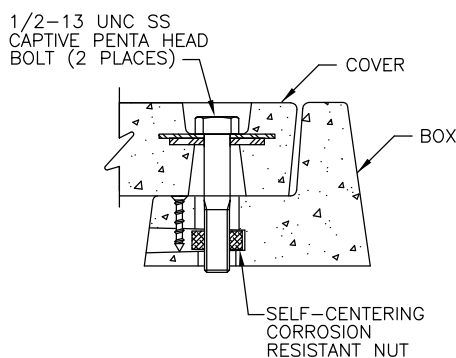


**COVER W/DROP IN READER LID**

Ø [51] TOUCH READER HOLE  
w/Ø4 1/8 [105] X 3/16 [5] C'BORE



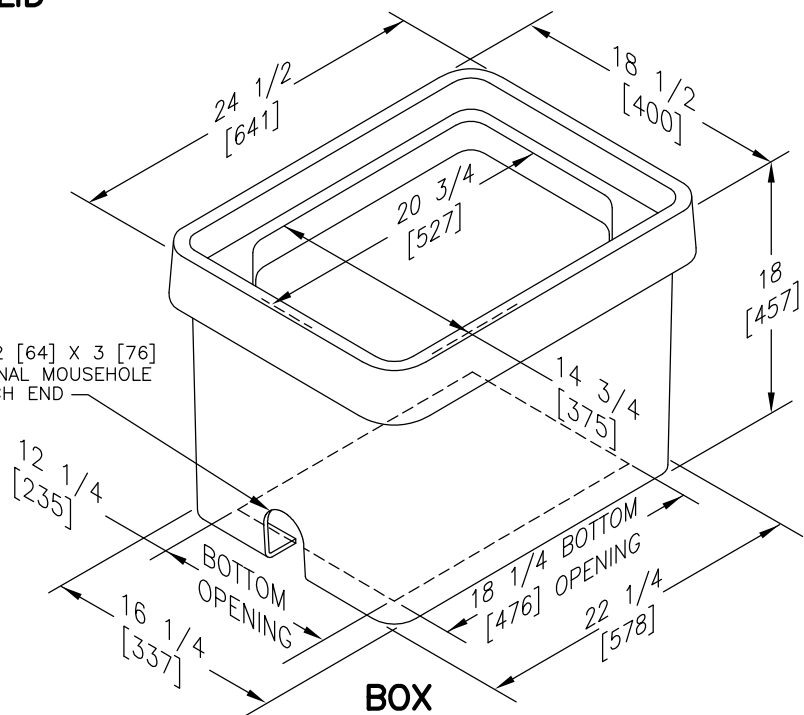
**COVER W/TOUCH READER HOLE**



**CAPTIVE BOLT DETAIL**

HEX HEAD BOLTS ARE  
AVAILABLE ON REQUEST

2 1/2 [64] X 3 [76]  
OPTIONAL MOUSEHOLE  
1 EACH END



Dimensions in brackets are in millimeters



# SPECIFICATIONS/DATA

## 16" X 22" STRAIGHT WALL STYLE (STACKABLE) ASSEMBLY

**COVERS** Bolt down covers have S.S. Captive Penta Head Bolts [Blank unless logo is specified]  
(Hex Head Bolts are available – change 2nd digit in cover part no. to "2")

DESCRIPTION	PART NO.	Old Catalog No.	WEIGHT LBS./kg.	DESIGN/TEST LOAD#	ANSI TIER
Tier 8 w/2 Bolts	C10162202A	C10-1622-02	29/13	8,000/12,000	8
Tier 8 No Bolt Down	C00162202A	C00-1622-02	29/13	8,000/12,000	8
Tier 15 w/2 Bolts	C12162202A	C12-1622-02	34/15	15,000/22,500	15
Tier 15 No Bolt Down	C02162202A	C02-1622-02	34/15	15,000/22,500	15
No Bolts w/4x6 Meter Lid (Over 90)	C08162202C	C00-1622-2C	27/12	5,000/7,500	5
Bolts w/4x6 Meter Lid (Over 90)	C18162202C	C10-1622-2C	27/12	5,000/7,500	5
No Bolts w/4x6 Meter Lid (Under 90)	C08162202D	C00-1622-2C	27/12	5,000/7,500	5
Bolts w/4x6 Meter Lid (Under 90)	C18162202D	C10-1622-2C	27/12	5,000/7,500	5
No Bolts w/6x9 Meter Lid (Over 90)	C08162202E	C00-1622-2C	27/12	5,000/7,500	5
Bolts w/6x9 Meter Lid (Over 90)	C18162202E	C10-1622-2C	27/12	5,000/7,500	5
No Bolts w/6x9 Meter Lid (Under 90)	C08162202F	C00-1622-2C	27/12	5,000/7,500	5
Bolts w/6x9 Meter Lid (Under 90)	C18162202F	C10-1622-2C	27/12	5,000/7,500	5
No Bolts w/Touch Reader Hole	C00162202P	C00-1622-2TR	29/13	8,000/12,000	8
Bolts w/Touch Reader Hole	C10162202P	C10-1622-2TR	29/13	8,000/12,000	8
No Bolts w/6x9 Drop In Reader Lid	C08162202T	C00-1622-2E	34/15	5,000/7,500	5
Bolts w/6x9 Drop In Reader Lid	C18162202T	C10-1622-2E	34/15	5,000/7,500	5
No Bolts w/7x13 Drop In Reader Lid	C08162202U	C00-1622-2E	34/15	5,000/7,500	5
Bolts w/7x13 Drop In Reader Lid	C18162202U	C10-1622-2E	34/15	5,000/7,500	5
No Bolts w/9x15 Drop In Reader Lid	C08162202V	C00-1622-2E	34/15	5,000/7,500	5
Bolts w/9x15 Drop In Reader Lid	C18162202V	C10-1622-2E	34/15	5,000/7,500	5

Covers must be used with equivalent tier boxes or higher (example a Tier 15 cover may not be used with Tier 8 box).

### BOXES (Stackable with self-aligning corrosion resistant replaceable nuts)

DESCRIPTION	PART NO.	Old Catalog No.	WEIGHT LBS./kg.	DESIGN/TEST LOAD#	ANSI TIER
Tier 8 Open Bottom	B13162218A	B13-1622-18	42/19	8,000/12,000	8
Tier 15 Open Bottom	B14162218A	B14-1622-18	52/24	15,000/22,500	15
Tier 8 Solid Bottom	B13162218B	B13-1622-18B	46/21	8,000/12,000	8
Tier 15 Solid Bottom	B14162218B	B14-1622-18B	56/25	15,000/22,500	15
Tier 8 Open Bottom w/ Gasket*	B13162218G	B13-1622-18G	42/19	8,000/12,000	8
Tier 15 Open Bottom w/ Gasket*	B14162218G	B14-1622-18G	52/24	15,000/22,500	15
Tier 8 Solid Bottom w/ Gasket*	B131622500	B13-1622-18BG	46/21	8,000/12,000	8
Tier 15 Solid Bottom w/ Gasket*	B141622500	B14-1622-18BG	56/25	15,000/22,500	15
Tier 8 Open Bottom w/ Standard Mouseholes	B13162218M	B13-1622-18	42/19	8,000/12,000	8
Tier 15 Open Bottom w/ Standard Mouseholes	B14162218M	B14-1622-18	52/24	15,000/22,500	15

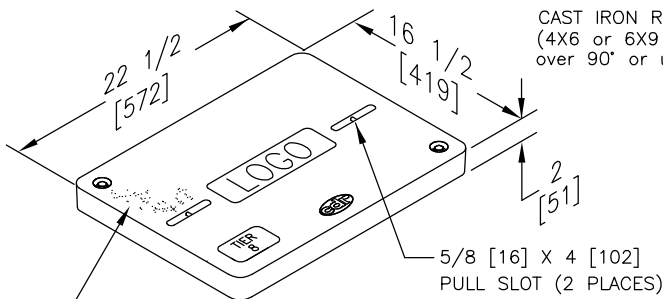
\*Gaskets reduce the inflow of fluids but do not make the enclosure water tight.

● Loadings comply with ANSI/SCTE 77 (See page 3 & 4)



# SPECIFICATIONS/DATA

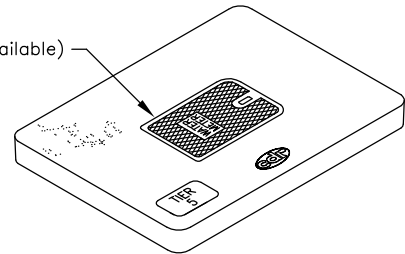
## 16" X 22" FLARED WALL STYLE (NESTABLE) ASSEMBLY



**COVER**

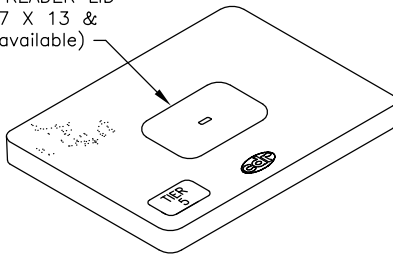
SKID RESISTANT SURFACE

CAST IRON READER LID  
(4X6 or 6X9 opening  
over 90° or under 90° available)



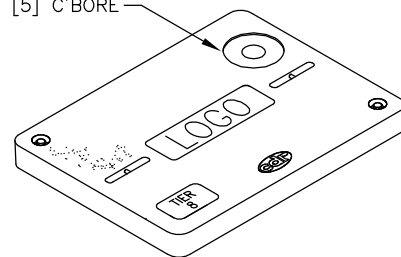
**COVER W/READER LID**

DROP IN READER LID  
(6 X 9, 7 X 13 &  
9 X 15 available)



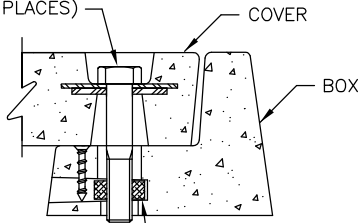
**COVER W/DROP IN READER LID**

Ø2 [51] TOUCH READER HOLE  
w/Ø4 1/8 [105] X 3/16 [5] C'BORE



**COVER W/TOUCH READER HOLE**

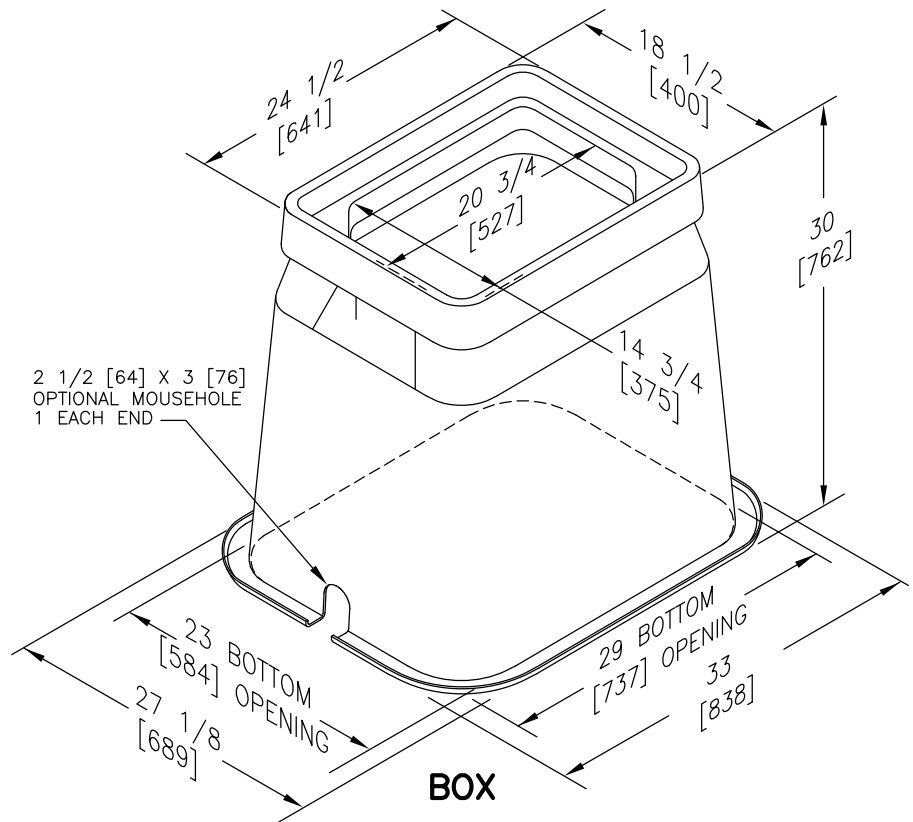
1/2-13 UNC SS  
CAPTIVE PENTA HEAD  
BOLT (2 PLACES)



SELF-CENTERING  
CORROSION  
RESISTANT NUT

**CAPTIVE BOLT DETAIL**

HEX HEAD BOLTS ARE  
AVAILABLE ON REQUEST



Dimensions in brackets are in millimeters



# SPECIFICATIONS/DATA

## 16" X 22" FLARED WALL STYLE (NESTABLE) ASSEMBLY

**COVERS** Bolt down covers have S.S. Captive Penta Head Bolts [Blank unless logo is specified]  
 (Hex Head Bolts are available - change 2nd digit in cover part no. to "2")

DESCRIPTION	PART NO.	Old Catalog No.	WEIGHT LBS./kg.	DESIGN/TEST LOAD#	ANSI TIER
Tier 8 w/2 Bolts	C10162202A	C10-1622-02	29/13	8,000/12,000	8
Tier 8 No Bolt Down	C00162202A	C00-1622-02	29/13	8,000/12,000	8
Tier 15 w/2 Bolts	C12162202A	C12-1622-02	34/15	15,000/22,500	15
Tier 15 No Bolt Down	C02162202A	C02-1622-02	34/15	15,000/22,500	15
No Bolts w/4x6 Meter Lid (Over 90)	C08162202C	C00-1622-2C	27/12	5,000/7,500	5
Bolts w/4x6 Meter Lid (Over 90)	C18162202C	C10-1622-2C	27/12	5,000/7,500	5
No Bolts w/4x6 Meter Lid (Under 90)	C08162202D	C00-1622-2C	27/12	5,000/7,500	5
Bolts w/4x6 Meter Lid (Under 90)	C18162202D	C10-1622-2C	27/12	5,000/7,500	5
No Bolts w/6x9 Meter Lid (Over 90)	C08162202E	C00-1622-2C	27/12	5,000/7,500	5
Bolts w/6x9 Meter Lid (Over 90)	C18162202E	C10-1622-2C	27/12	5,000/7,500	5
No Bolts w/6x9 Meter Lid (Under 90)	C08162202F	C00-1622-2C	27/12	5,000/7,500	5
Bolts w/6x9 Meter Lid (Under 90)	C18162202F	C10-1622-2C	27/12	5,000/7,500	5
No Bolts w/Touch Reader Hole	C00162202P	C00-1622-2TR	29/13	8,000/12,000	8
Bolts w/Touch Reader Hole	C10162202P	C10-1622-2TR	29/13	8,000/12,000	8
No Bolts w/6x9 Drop In Reader Lid	C08162202T	C00-1622-2E	34/15	5,000/7,500	5
Bolts w/6x9 Drop In Reader Lid	C18162202T	C10-1622-2E	34/15	5,000/7,500	5
No Bolts w/7x13 Drop In Reader Lid	C08162202U	C00-1622-2E	34/15	5,000/7,500	5
Bolts w/7x13 Drop In Reader Lid	C18162202U	C10-1622-2E	34/15	5,000/7,500	5
No Bolts w/9x15 Drop In Reader Lid	C08162202V	C00-1622-2E	34/15	5,000/7,500	5
Bolts w/9x15 Drop In Reader Lid	C18162202V	C10-1622-2E	34/15	5,000/7,500	5

Covers must be used with equivalent tier boxes or higher (example a Tier 15 cover may not be used with Tier 8 box).

<b>BOXES</b> (Nestable with self-aligning corrosion resistant replaceable nuts)					
DESCRIPTION	PART NO.	Old Catalog No.	WEIGHT# LBS./kg.	DESIGN/TEST LOAD#	ANSI TIER
Tier 8 Bolt down	B10162230A	B10-1622-30	66/30	8,000/12,000	8
Tier 15 Bolt down	B12162230A	B12-1622-30	76/34	15,000/22,500	15
Tier 8 w/ Gasket*	B10162230G	B10-1622-30G	66/30	8,000/12,000	8
Tier 15 Bolt down w/ Gasket*	B12162230G	B12-1622-30G	66/30	8,000/12,000	15
Tier 8 w/ Standard Mouseholes	B10162230M	B10-1622-30	66/30	8,000/12,000	8
Tier 15 w/ Standard Mouseholes	B12162230M	B12-1622-30	76/34	15,000/22,500	15

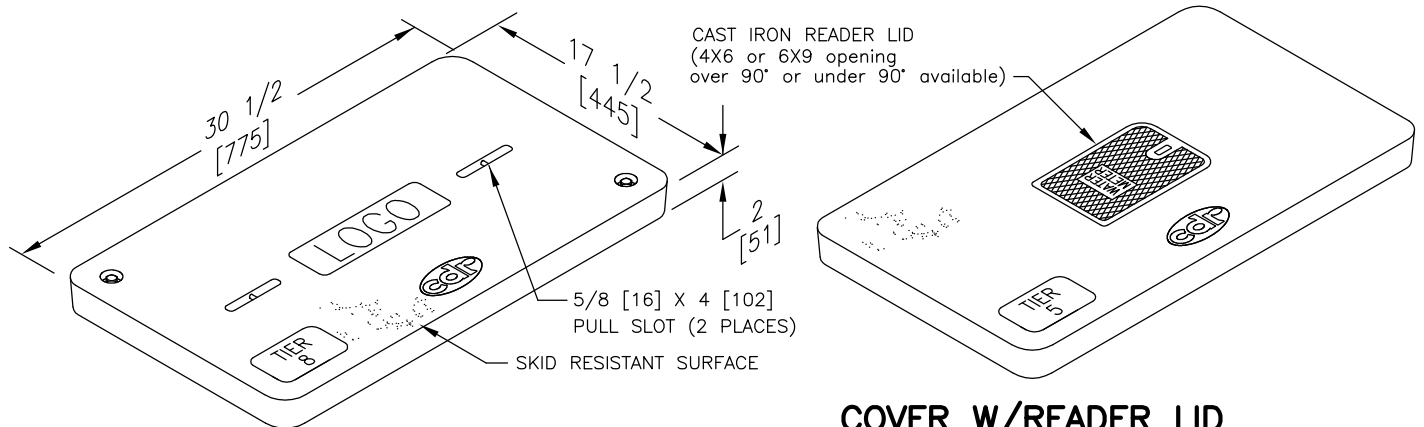
\*Gaskets reduce the inflow of fluids but do not make the enclosure water tight.

- Loadings comply with ANSI/SCTE 77 (See page 3 & 4)



# SPECIFICATIONS/DATA

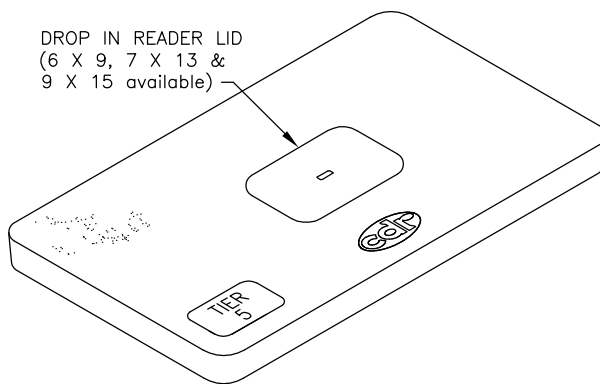
## 17" X 30" STRAIGHT WALL STYLE (STACKABLE) ASSEMBLY



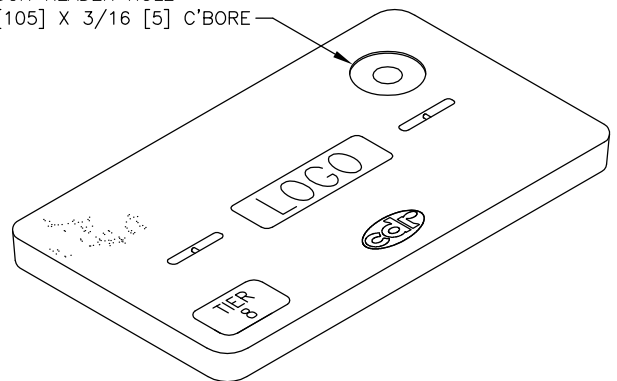
**COVER**

**COVER W/READER LID**

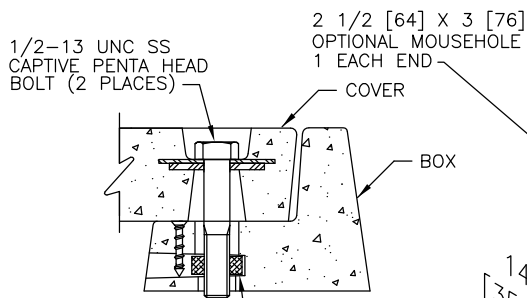
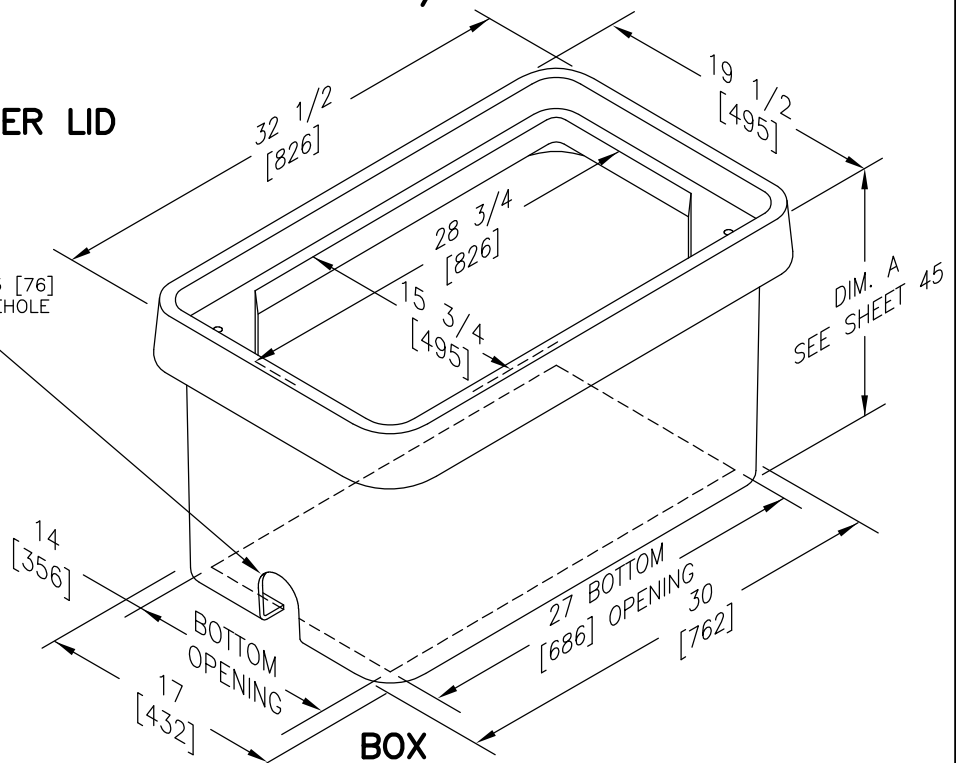
∅2 [51] TOUCH READER HOLE  
w/∅4 1/8 [105] X 3/16 [5] C'BORE



**COVER W/DROP IN READER LID**



**COVER W/TOUCH READER HOLE**



**CAPTIVE BOLT DETAIL**

HEX HEAD BOLTS ARE AVAILABLE ON REQUEST

Dimensions in brackets are in millimeters



# SPECIFICATIONS/DATA

## 17" X 30" STRAIGHT WALL STYLE (STACKABLE) ASSEMBLY

<b>COVERS</b> Bolt down covers have S.S. Captive Penta Head Bolts [Blank unless logo is specified] (Hex Head Bolts are available – change 2nd digit in cover part no. to "2")					
DESCRIPTION	PART NO.	Old Catalog No.	WEIGHT# LBS./kg.	DESIGN/TEST LOAD#	ANSI TIER
Tier 8 w/2 Bolts	C10173002A	C10-1730-02	47/21	8,000/12,000	8
Tier 8 No Bolt Down	C00173002A	C00-1730-02	47/21	8,000/12,000	8
Tier 15 w/2 Bolts	C12173002A	C12-1730-02	51/23	15,000/22,500	15
Tier 15 No Bolt Down	C02173002A	C02-1730-02	51/23	15,000/22,500	15
Tier 22 w/2 Bolts	C16173002A	special number	51/23	22,500/33,750	22
Tier 22 No Bolt Down	C06173002A	special number	51/23	22,500/33,750	22
No Bolts w/4x6 Meter Lid (Over 90)	C08173002C	C00-1730-2C	51/23	5,000/7,500	5
Bolts w/4x6 Meter Lid (Over 90)	C18173002C	C10-1730-2C	51/23	5,000/7,500	5
No Bolts w/4x6 Meter Lid (Under 90)	C08173002D	C00-1730-2C	51/23	5,000/7,500	5
Bolts w/4x6 Meter Lid (Under 90)	C18173002D	C10-1730-2C	51/23	5,000/7,500	5
No Bolts w/6x9 Meter Lid (Over 90)	C08173002E	C00-1730-2C	51/23	5,000/7,500	5
Bolts w/6x9 Meter Lid (Over 90)	C18173002E	C10-1730-2C	51/23	5,000/7,500	5
No Bolts w/6x9 Meter Lid (Under 90)	C08173002F	C00-1730-2C	51/23	5,000/7,500	5
Bolts w/6x9 Meter Lid (Under 90)	C18173002F	C10-1730-2C	51/23	5,000/7,500	5
No Bolts w/Touch Reader Hole	C00173002P	C00-1730-2TR	47/21	8,000/12,000	8
Bolts w/Touch Reader Hole	C10173002P	C10-1730-2TR	47/21	8,000/12,000	8
No Bolts w/6x9 Drop In Reader Lid	C08173002T	C00-1730-2E	51/23	5,000/7,500	5
Bolts w/6x9 Drop In Reader Lid	C18173002T	C10-1730-2E	51/23	5,000/7,500	5
No Bolts w/7x13 Drop In Reader Lid	C08173002U	C00-1730-2E	51/23	5,000/7,500	5
Bolts w/7x13 Drop In Reader Lid	C18173002U	C10-1730-2E	51/23	5,000/7,500	5
No Bolts w/9x15 Drop In Reader Lid	C08173002V	C00-1730-2E	51/23	5,000/7,500	5
Bolts w/9x15 Drop In Reader Lid	C18173002V	C10-1730-2E	51/23	5,000/7,500	5

Covers must be used with equivalent tier boxes or higher (example a Tier 15 cover may not be used with Tier 8 box).  
 • Loadings comply with ANSI/SCTE 77 (See page 3 & 4)

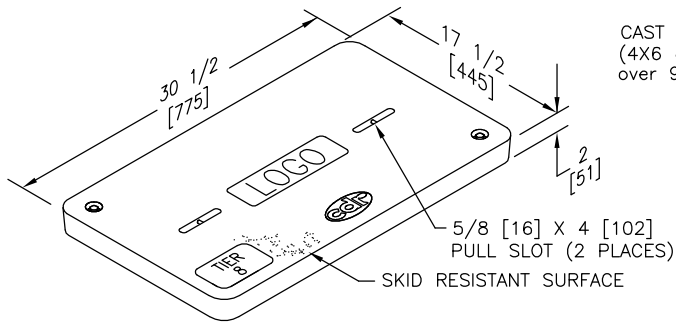
<b>BOXES</b> (Stackable with self-aligning corrosion resistant replaceable nuts)						
DESCRIPTION	PART NO.	Old Catalog No.	DIM. A IN./mm.	WEIGHT# LBS./kg.	DESIGN/TEST LOAD#	ANSI TIER
Tier 8	B13173012A	B13-1730-12	12/305	46/21	8,000/12,000	8
	B13173018A	B13-1730-18	18/457	58/26	8,000/12,000	8
	B13173022A	B13-1730-22	22/559	68/31	8,000/12,000	8
Tier 15	B14173012A	B14-1730-12	12/305	50/23	15,000/22,500	15
	B14173018A	B14-1730-18	18/457	62/28	15,000/22,500	15
	B14173022A	B14-1730-22	22/559	74/34	15,000/22,500	15
Tier 22	B16173012A	special number	12/305	50/23	22,500/33,750	22
	B16173018A	special number	18/457	62/28	22,500/33,750	22
	B16173022A	special number	22/559	74/34	22,500/33,750	22
Tier 8 Solid Bottom	B13173012B	B13-1730-12B	12/305	51/23	8,000/12,000	8
	B13173018B	B13-1730-18B	18/457	63/29	8,000/12,000	8
	B13173022B	B13-1730-22B	22/559	73/33	8,000/12,000	8
Tier 15 Solid Bottom	B14173012B	B14-1730-12B	12/305	55/25	15,000/22,500	15
	B14173018B	B14-1730-18B	18/457	67/30	15,000/22,500	15
	B14173022B	B14-1730-22B	22/559	79/36	15,000/22,500	15
Tier 22 Solid Bottom	B16173012B	special number	12/305	55/25	22,500/33,750	22
	B16173018B	special number	18/457	67/30	22,500/33,750	22
	B16173022B	special number	22/559	79/36	22,500/33,750	22
Tier 8 w/ Gasket*	B13173012G	B13-1730-12G	12/305	46/21	8,000/12,000	8
	B13173018G	B13-1730-18G	18/457	58/26	8,000/12,000	8
	B13173022G	B13-1730-22G	22/559	68/31	8,000/12,000	8
Tier 15 w/ Gasket*	B14173012G	B14-1730-12G	12/305	50/23	15,000/22,500	15
	B14173018G	B14-1730-18G	18/457	62/28	15,000/22,500	15
	B14173022G	B14-1730-22G	22/559	74/34	15,000/22,500	15
Tier 22 w/ Gasket*	B16173012G	special number	12/305	50/23	22,500/33,750	22
	B16173018G	special number	18/457	62/28	22,500/33,750	22
	B16173022G	special number	22/559	74/34	22,500/33,750	22
Tier 8 Solid Bottom w/ Gasket*	B131730500	B13-1730-12BG	12/305	51/23	8,000/12,000	8
	B131730501	B13-1730-18BG	18/457	63/29	8,000/12,000	8
	B131730502	B13-1730-22BG	22/559	73/33	8,000/12,000	8
Tier 15 Solid Bottom w/ Gasket*	B141730500	B14-1730-12BG	12/305	55/25	15,000/22,500	15
	B141730501	B14-1730-18BG	18/457	67/30	15,000/22,500	15
	B141730502	B14-1730-22BG	22/559	79/36	15,000/22,500	15
Tier 22 Solid Bottom w/ Gasket*	B161730500	special number	12/305	55/25	22,500/33,750	22
	B161730501	special number	18/457	67/30	22,500/33,750	22
	B161730502	special number	22/559	79/36	22,500/33,750	22
Tier 8 w/ Standard Mouseholes	B13173012M	B13-1730-12	12/305	46/21	8,000/12,000	8
	B13173018M	B13-1730-18	18/457	58/26	8,000/12,000	8
	B13173022M	B13-1730-22	22/559	68/31	8,000/12,000	8
Tier 15 w/ Standard Mouseholes	B14173012M	B14-1730-12	12/305	50/23	15,000/22,500	15
	B14173018M	B14-1730-18	18/457	62/28	15,000/22,500	15
	B14173022M	B14-1730-22	22/559	74/34	15,000/22,500	15
Tier 22 w/ Standard Mouseholes	B16173012M	special number	12/305	50/23	22,500/33,750	22
	B16173018M	special number	18/457	62/28	22,500/33,750	22
	B16173022M	special number	22/559	74/34	22,500/33,750	22

\*Gaskets reduce the inflow of fluids but do not make the enclosure water tight.



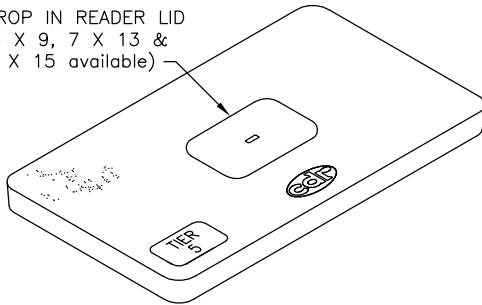
# SPECIFICATIONS/DATA

## 17" X 30" FLARED WALL STYLE (NESTABLE) ASSEMBLY



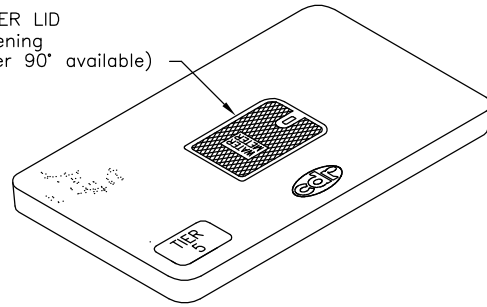
**COVER**

DROP IN READER LID  
(6 X 9, 7 X 13 &  
9 X 15 available)



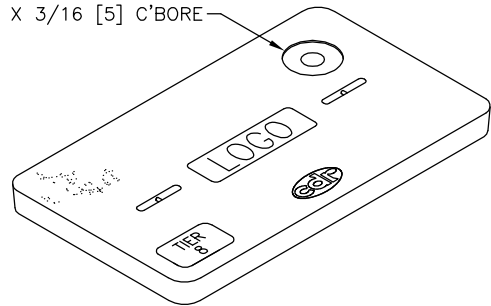
**COVER W/DROP IN READER LID**

CAST IRON READER LID  
(4X6 or 6X9 opening  
over 90° or under 90° available)

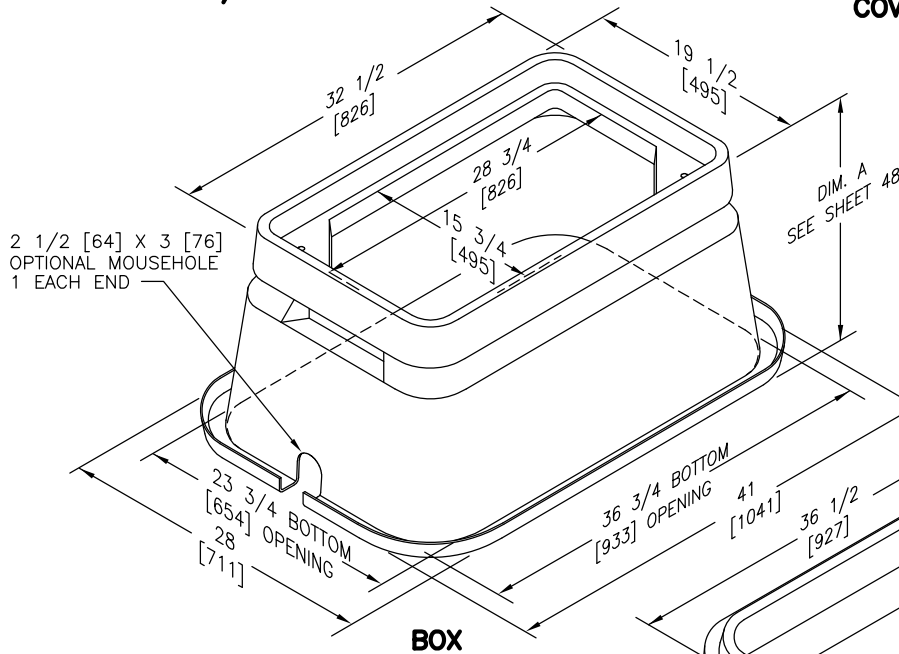


**COVER W/READER LID**

Ø2 [51] TOUCH READER HOLE  
w/Ø4 1/8 [105] X 3/16 [5] C'BORE



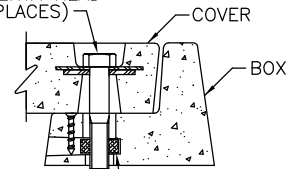
**COVER W/TOUCH READER HOLE**



**BOX**

OPTIONAL KNOCKOUTS SHOWN

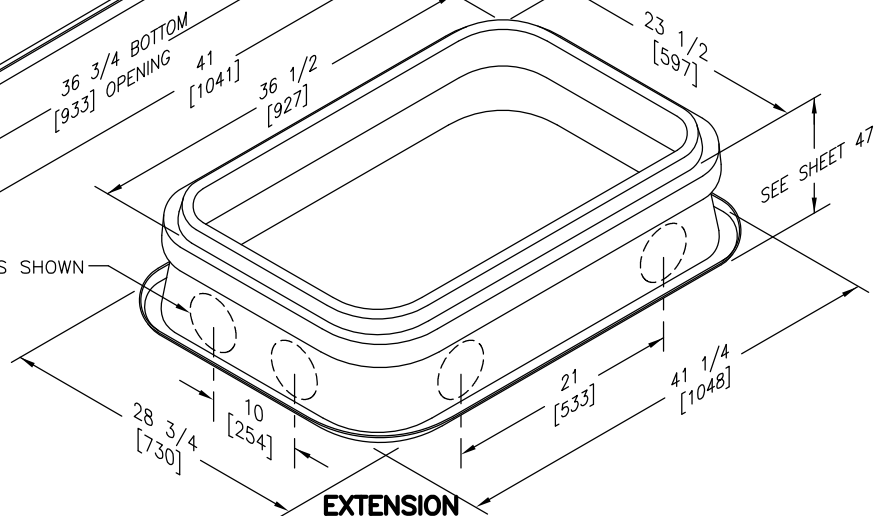
1/2-13 UNC SS  
CAPTIVE PENTA HEAD  
BOLT (2 PLACES)



SELF-CENTERING  
CORROSION  
RESISTANT NUT

**CAPTIVE BOLT DETAIL**

HEX HEAD BOLTS ARE  
AVAILABLE ON REQUEST



**EXTENSION**

Dimensions in brackets are in millimeters



# SPECIFICATIONS/DATA

## 17" X 30" FLARED WALL STYLE (NESTABLE) ASSEMBLY

<b>COVERS</b> Bolt down covers have S.S. Captive Penta Head Bolts [Blank unless logo is specified] (Hex Head Bolts are available – change 2nd digit in cover part no. to "2")					
DESCRIPTION	PART NO.	Old Catalog No.	WEIGHT# LBS./kg.	DESIGN/TEST LOAD#	ANSI TIER
Tier 8 w/2 Bolts	C10173002A	C10-1730-02	47/21	8,000/12,000	8
Tier 8 No Bolt Down	C00173002A	C00-1730-02	47/21	8,000/12,000	8
Tier 15 w/2 Bolts	C12173002A	C12-1730-02	51/23	15,000/22,500	15
Tier 15 No Bolt Down	C02173002A	C02-1730-02	51/23	15,000/22,500	15
Tier 22 w/2 Bolts	C16173002A	C12-1730-02	51/23	22,500/33,750	22
Tier 22 No Bolt Down	C06173002A	C02-1730-02	51/23	22,500/33,750	22
No Bolts w/4x6 Meter Lid (Over 90)	C08173002C	C00-1730-2C	51/23	5,000/7,500	5
Bolts w/4x6 Meter Lid (Over 90)	C18173002C	C10-1730-2C	51/23	5,000/7,500	5
No Bolts w/4x6 Meter Lid (Under 90)	C08173002D	C00-1730-2C	51/23	5,000/7,500	5
Bolts w/4x6 Meter Lid (Under 90)	C18173002D	C10-1730-2C	51/23	5,000/7,500	5
No Bolts w/6x9 Meter Lid (Over 90)	C08173002E	C00-1730-2C	51/23	5,000/7,500	5
Bolts w/6x9 Meter Lid (Over 90)	C18173002E	C10-1730-2C	51/23	5,000/7,500	5
No Bolts w/6x9 Meter Lid (Under 90)	C08173002F	C00-1730-2C	51/23	5,000/7,500	5
Bolts w/6x9 Meter Lid (Under 90)	C18173002F	C10-1730-2C	51/23	5,000/7,500	5
No Bolts w/Touch Reader Hole	C00173002P	C00-1730-2TR	47/21	8,000/12,000	8
Bolts w/Touch Reader Hole	C10173002P	C10-1730-2TR	47/21	8,000/12,000	
No Bolts w/6x9 Drop In Reader Lid	C00173002T	C00-1730-2E	51/23	5,000/7,500	5
Bolts w/6x9 Drop In Reader Lid	C10173002T	C10-1730-2E	51/23	5,000/7,500	5
No Bolts w/7x13 Drop In Reader Lid	C00173002U	C00-1730-2E	51/23	5,000/7,500	5
Bolts w/7x13 Drop In Reader Lid	C10173002U	C10-1730-2E	51/23	5,000/7,500	5
No Bolts w/9x15 Drop In Reader Lid	C00173002V	C00-1730-2E	51/23	5,000/7,500	5
Bolts w/9x15 Drop In Reader Lid	C10173002V	C10-1730-2E	51/23	5,000/7,500	5

Covers must be used with equivalent tier boxes or higher (example a Tier 15 cover may not be used with Tier 8 box).

<b>EXTENSION</b> (Optional Knockouts or Terminators are available)				
DESCRIPTION	PART NO.	Old Catalog No.	WEIGHT# LBS./kg.	DESIGN/TEST LOAD#
Tier 8 8" Deep	E00173008A	E00-1730-08	39/18	8,000/12,000
Tier 8 16" Deep	E00173016A	E00-1730-16	42/19	8,000/12,000
Tier 15 8" Deep	E02173008A	E02-1730-08	45/20	15,000/22,500
Tier 15 16" Deep	E02173016A	E02-1730-16	48/22	15,000/22,500

34" [864] deep flared wall boxes will not work with extensions





# SPECIFICATIONS/DATA

## 17" X 30" FLARED WALL STYLE (NESTABLE) ASSEMBLY

BOXES (Nestable with self-aligning corrosion resistant replaceable nuts)					
DESCRIPTION	PART NO.	Old Catalog No.	DIM. A IN./mm.	WEIGHT# LBS./kg.	DESIGN/TEST LOAD#
Tier 8	B10173012A	B10-1730-12	12/305	46/21	8,000/12,000
	B10173018A	B10-1730-18	18/457	58/26	8,000/12,000
	B10173022A	B10-1730-22	22/559	68/31	8,000/12,000
	B10173024A	B10-1730-24	24/610	78/35	8,000/12,000
	B10173030A	B10-1730-30	30/762	88/40	8,000/12,000
Tier 15	B10173034A	B10-1730-34	34/864	96/44	8,000/12,000
	B12173012A	B12-1730-12	12/305	50/23	15,000/22,500
	B12173018A	B12-1730-18	18/457	64/29	15,000/22,500
	B12173022A	B12-1730-22	22/559	74/34	15,000/22,500
	B12173012A	B12-1730-24	24/610	84/38	15,000/22,500
Tier 22	B12173018A	B12-1730-30	30/762	94/43	15,000/22,500
	B12173022A	B12-1730-34	34/864	102/46	15,000/22,500
	B19173012A	special number	12/305	50/23	22,500/33,750
	B19173018A	special number	18/457	64/29	22,500/33,750
	B19173022A	special number	22/559	74/34	22,500/33,750
Tier 8 W/ Gasket*	B19173012A	special number	24/610	84/38	22,500/33,750
	B19173018A	special number	30/762	94/43	22,500/33,750
	B19173022A	special number	34/864	102/46	22,500/33,750
	B10173012G	B10-1730-12G	12/305	46/21	8,000/12,000
	B10173018G	B10-1730-18G	18/457	58/26	8,000/12,000
Tier 15 W/ Gasket*	B10173022G	B10-1730-22G	22/559	68/31	8,000/12,000
	B10173024G	B10-1730-24G	24/610	78/35	8,000/12,000
	B10173030G	B10-1730-30G	30/762	88/40	8,000/12,000
	B10173034G	B10-1730-34G	34/864	96/44	8,000/12,000
	B12173012G	B12-1730-12G	12/305	50/23	15,000/22,500
Tier 22 W/ Gasket*	B12173018G	B12-1730-18G	18/457	64/29	15,000/22,500
	B12173022G	B12-1730-22G	22/559	74/34	15,000/22,500
	B12173024G	B12-1730-24G	24/610	84/38	15,000/22,500
	B12173030G	B12-1730-30G	30/762	94/43	15,000/22,500
	B12173034G	B12-1730-34G	34/864	102/46	15,000/22,500
Tier 8 w/ Standard Mouseholes	B19173012G	special number	12/305	50/23	22,500/33,750
	B19173018G	special number	18/457	64/29	22,500/33,750
	B19173022G	special number	22/559	74/34	22,500/33,750
	B19173024G	special number	24/610	84/38	22,500/33,750
	B19173030G	special number	30/762	94/43	22,500/33,750
Tier 15 w/ Standard Mouseholes	B19173034G	special number	34/864	102/46	22,500/33,750
	B10173012M	B10-1730-12	12/305	46/21	8,000/12,000
	B10173018M	B10-1730-18	18/457	58/26	8,000/12,000
	B10173022M	B10-1730-22	22/559	68/31	8,000/12,000
	B10173024M	B10-1730-24	24/610	78/35	8,000/12,000
Tier 22 w/ Standard Mouseholes	B10173030M	B10-1730-30	30/762	88/40	8,000/12,000
	B10173034M	B10-1730-34	34/864	96/44	8,000/12,000
	B12173012M	B12-1730-12	12/305	50/23	15,000/22,500
	B12173018M	B12-1730-18	18/457	64/29	15,000/22,500
	B12173022M	B12-1730-22	22/559	74/34	15,000/22,500
Tier 8 w/ Standard Mouseholes	B12173024M	B12-1730-24	24/610	84/38	15,000/22,500
	B12173030M	B12-1730-30	30/762	94/43	15,000/22,500
	B12173034M	B12-1730-34	34/864	102/46	15,000/22,500
	B19173012M	special number	12/305	50/23	22,500/33,750
	B19173018M	special number	18/457	64/29	22,500/33,750
Tier 15 w/ Standard Mouseholes	B19173022M	special number	22/559	74/34	22,500/33,750
	B19173024M	special number	24/610	84/38	22,500/33,750
	B19173030M	special number	30/762	94/43	22,500/33,750
	B19173034M	special number	34/864	102/46	22,500/33,750
	B19173012M	special number	12/305	50/23	22,500/33,750

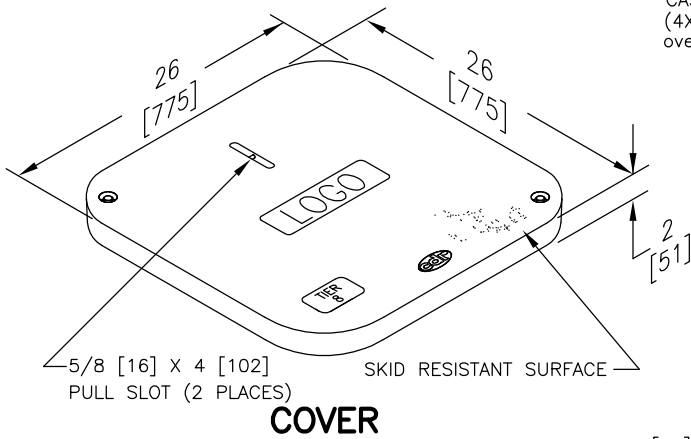
\*Gaskets reduce the inflow of fluids but do not make the enclosure water tight.

• Loadings comply with ANSI/SCTE 77 (See page 3 & 4)

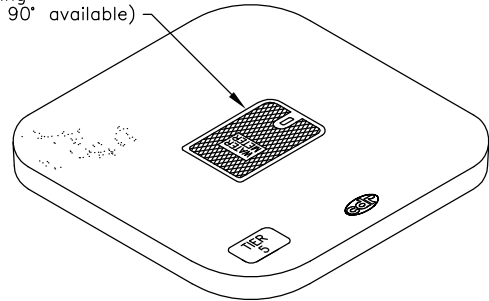


# SPECIFICATIONS/DATA

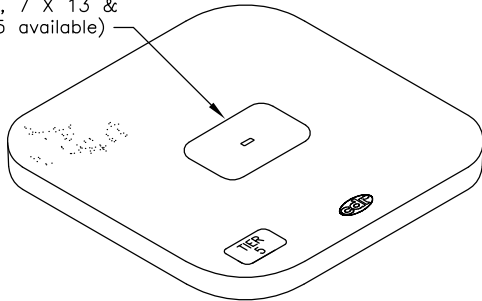
## 24" X 24" STRAIGHT WALL STYLE (STACKABLE) ASSEMBLY



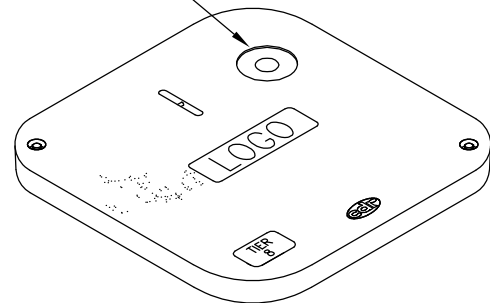
CAST IRON READER LID  
(4X6 or 6X9 opening,  
over 90° or under 90° available)



DROP IN READER LID  
(6 X 9, 7 X 13 &  
9 X 15 available)

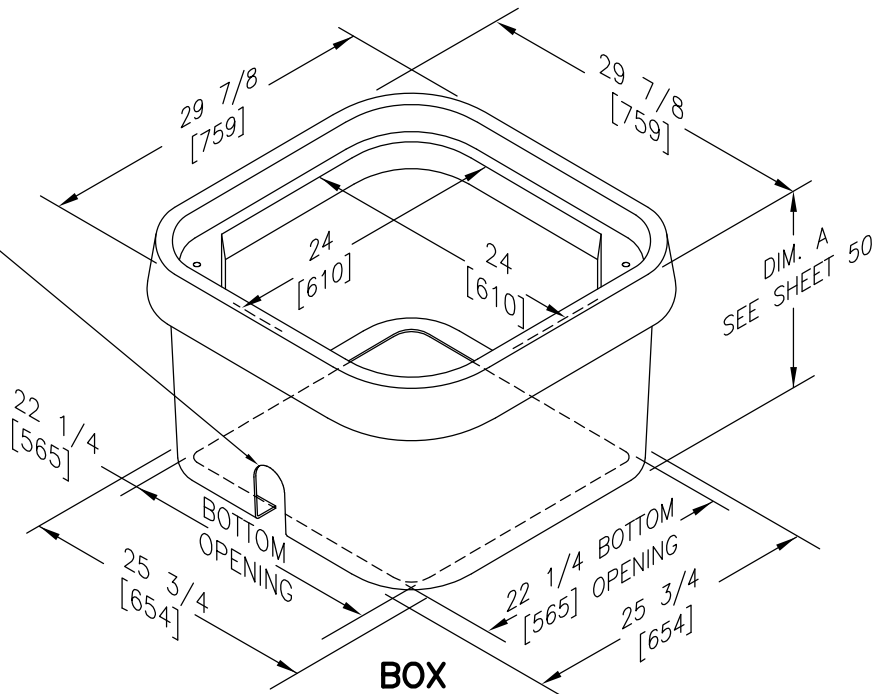
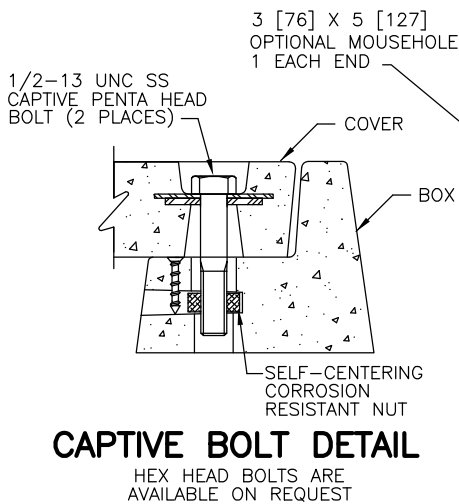


Ø2 [51] TOUCH READER HOLE  
w/Ø4 1/8 [105] X 3/16 [5] C'BORE



**COVER W/DROP IN READER LID**

**COVER W/TOUCH READER HOLE**



Dimensions in brackets are in millimeters

# SPECIFICATIONS/DATA

## 24" X 24" STRAIGHT WALL STYLE (STACKABLE) ASSEMBLY

<b>COVERS</b> Bolt down covers have S.S. Captive Penta Head Bolts [Blank unless logo is specified] (Hex Head Bolts are available - change 2nd digit in cover part no. to "2")						
DESCRIPTION	PART NO.	Old Catalog No.	WEIGHT# LBS./kg.	DESIGN/TEST LOAD#	ANSI TIER	
Tier 8 w/2 Bolts	C10242402A	C10-2424-02	70/32	8,000/12,000	8	
Tier 8 No Bolt Down	C00242402A	C00-2424-02	70/32	8,000/12,000	8	
Tier 15 w/2 Bolts	C12242402A	C12-2424-02	100/45	15,000/22,500	15	
Tier 15 No Bolt Down	C02242402A	C02-2424-02	100/45	15,000/22,500	15	
Tier 22 w/2 Bolts	C16242402A	special number	100/45	22,500/33,750	22	
Tier 22 No Bolt Down	C06242402A	special number	100/45	22,500/33,750	22	
No Bolts w/4x6 Meter Lid (Over 90)	C08242402C	C00-2424-2C	73/33	5,000/7,500	5	
Bolts w/4x6 Meter Lid (Over 90)	C18242402C	C10-2424-2C	73/33	5,000/7,500	5	
No Bolts w/4x6 Meter Lid (Under 90)	C08242402D	C00-2424-2C	73/33	5,000/7,500	5	
Bolts w/4x6 Meter Lid (Under 90)	C18242402D	C10-2424-2C	73/33	5,000/7,500	5	
No Bolts w/6x9 Meter Lid (Over 90)	C08242402E	C00-2424-2C	73/33	5,000/7,500	5	
Bolts w/6x9 Meter Lid (Over 90)	C18242402E	C10-2424-2C	73/33	5,000/7,500	5	
No Bolts w/6x9 Meter Lid (Under 90)	C08242402F	C00-2424-2C	73/33	5,000/7,500	5	
Bolts w/6x9 Meter Lid (Under 90)	C18242402F	C10-2424-2C	73/33	5,000/7,500	5	
No Bolts w/Touch Reader Hole	C00242402P	C00-2424-2TR	70/32	8,000/12,000	8	
Bolts w/Touch Reader Hole	C10242402P	C10-2424-2TR	70/32	8,000/12,000	8	
No Bolts w/6x9 Drop In Reader Lid	C08242402T	C00-2424-2E	100/45	5,000/7,500	5	
Bolts w/6x9 Drop In Reader Lid	C18242402T	C10-2424-2E	100/45	5,000/7,500	5	
No Bolts w/7x13 Drop In Reader Lid	C08242402U	C00-2424-2E	100/45	5,000/7,500	5	
Bolts w/7x13 Drop In Reader Lid	C18242402U	C10-2424-2E	100/45	5,000/7,500	5	
No Bolts w/9x15 Drop In Reader Lid	C08242402V	C00-2424-2E	100/45	5,000/7,500	5	
Bolts w/9x15 Drop In Reader Lid	C18242402V	C10-2424-2E	100/45	5,000/7,500	5	

Covers must be used with equivalent tier boxes or higher (example a Tier 15 cover may not be used with Tier 8 box).

<b>BOXES</b> (Stackable with self-aligning corrosion resistant replaceable nuts)						
DESCRIPTION	PART NO.	Old Catalog No.	DIM. A IN./mm.	WEIGHT# LBS./kg.	DESIGN/TEST LOAD#	ANSI TIER
Tier 8	B13242412A	B13-2424-12	12/305	74/34	8,000/12,000	8
	B13242418A	B13-2424-18	18/457	78/35	8,000/12,000	8
	B13242424A	B13-2424-24	22/559	83/38	8,000/12,000	8
Tier 15	B14242412A	B14-2424-12	12/305	77/35	15,000/22,500	15
	B14242418A	B14-2424-18	18/457	84/38	15,000/22,500	15
	B14242424A	B14-2424-24	22/559	92/42	15,000/22,500	15
Tier 22	B16242412A	special number	12/305	77/35	22,500/33,750	22
	B16242418A	special number	18/457	84/38	22,500/33,750	22
	B16242424A	special number	22/559	92/42	22,500/33,750	22
Tier 8 Solid Bottom	B13242412B	B13-2424-12B	12/305	81/37	8,000/12,000	8
	B13242418B	B13-2424-18B	18/457	85/39	8,000/12,000	8
	B13242424B	B13-2424-24B	22/559	90/41	8,000/12,000	8
Tier 15 Solid Bottom	B14242412B	B14-2424-12B	12/305	84/35	15,000/22,500	15
	B14242418B	B14-2424-18B	18/457	91/38	15,000/22,500	15
	B14242424B	B14-2424-24B	22/559	99/42	15,000/22,500	15
Tier 22 Solid Bottom	B16242412B	special number	12/305	84/35	22,500/33,750	22
	B16242418B	special number	18/457	91/38	22,500/33,750	22
	B16242424B	special number	22/559	99/42	22,500/33,750	22
Tier 8 w/ Gasket*	B13242412G	B13-2424-12G	12/305	74/34	8,000/12,000	8
	B13242418G	B13-2424-18G	18/457	78/35	8,000/12,000	8
	B13242424G	B13-2424-24G	22/559	83/38	8,000/12,000	8
Tier 15 w/ Gasket*	B14242412G	B14-2424-12G	12/305	77/35	15,000/22,500	15
	B14242418G	B14-2424-18G	18/457	84/38	15,000/22,500	15
	B14242424G	B14-2424-24G	22/559	92/42	15,000/22,500	15
Tier 22 w/ Gasket*	B16242412G	special number	12/305	77/35	22,500/33,750	22
	B16242418G	special number	18/457	84/38	22,500/33,750	22
	B16242424G	special number	22/559	92/42	22,500/33,750	22
Tier 8 Solid Bottom w/ Gasket*	B132424500	B13-2424-12BG	12/305	81/37	8,000/12,000	8
	B132424502	B13-2424-18BG	18/457	85/39	8,000/12,000	8
	B132424502	B13-2424-24BG	22/559	90/41	8,000/12,000	8
Tier 15 Solid Bottom w/ Gasket*	B142424500	B14-2424-12BG	12/305	84/35	15,000/22,500	15
	B142424501	B14-2424-18BG	18/457	91/38	15,000/22,500	15
	B142424502	B14-2424-24BG	22/559	99/42	15,000/22,500	15
Tier 22 Solid Bottom w/ Gasket*	B162424500	special number	12/305	84/35	22,500/33,750	22
	B162424501	special number	18/457	91/38	22,500/33,750	22
	B162424502	special number	22/559	99/42	22,500/33,750	22
Tier 8 w/ Standard Mouseholes	B13242412M	B13-2424-12	12/305	74/34	8,000/12,000	8
	B13242418M	B13-2424-18	18/457	78/35	8,000/12,000	8
	B13242424M	B13-2424-24	22/559	83/38	8,000/12,000	8
Tier 15 w/ Standard Mouseholes	B14242412M	B14-2424-12	12/305	77/35	15,000/22,500	15
	B14242418M	B14-2424-18	18/457	84/38	15,000/22,500	15
	B14242424M	B14-2424-24	22/559	92/42	15,000/22,500	15
Tier 22 w/ Standard Mouseholes	B16242412M	special number	12/305	77/35	22,500/33,750	22
	B16242418M	special number	18/457	84/38	22,500/33,750	22
	B16242424M	special number	22/559	92/42	22,500/33,750	22

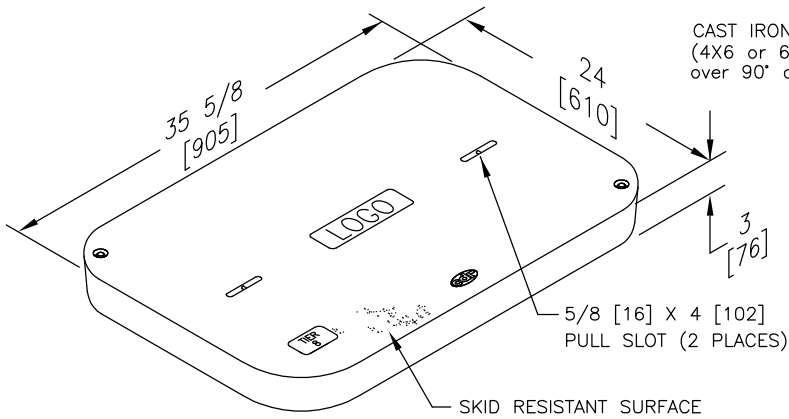
\*Gaskets reduce the inflow of fluids but do not make the enclosure water tight.

• Loadings comply with ANSI/SCTE 77 (See page 3 & 4)



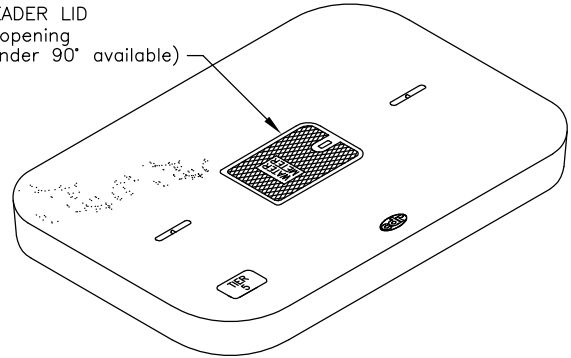
**SPECIFICATIONS/DATA**

**24" X 36" STRAIGHT WALL STYLE (STACKABLE) ASSEMBLY**



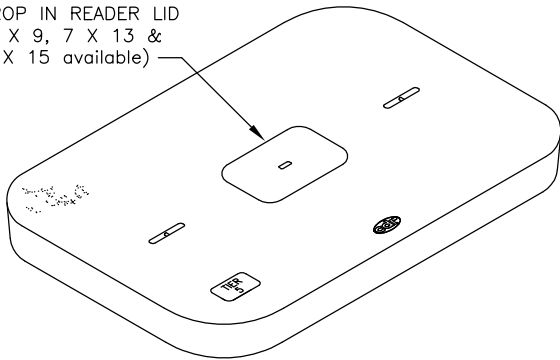
**COVER**

CAST IRON READER LID  
(4X6 or 6X9 opening  
over 90° or under 90° available)



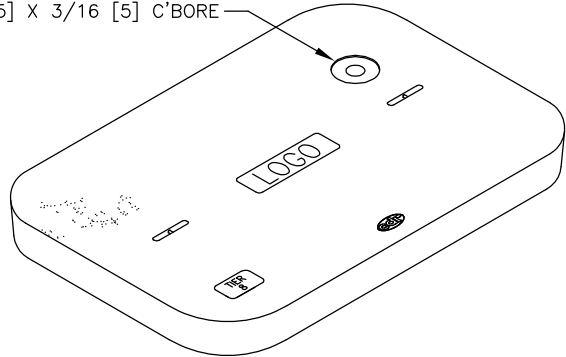
**COVER W/READER LID**

DROP IN READER LID  
(6 X 9, 7 X 13 &  
9 X 15 available)



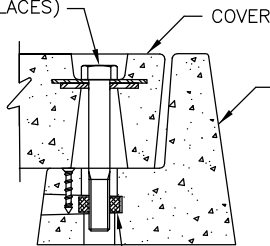
**COVER W/DROP IN READER LID**

Ø2 [51] TOUCH READER HOLE  
w/Ø4 1/8 [105] X 3/16 [5] C'BORE



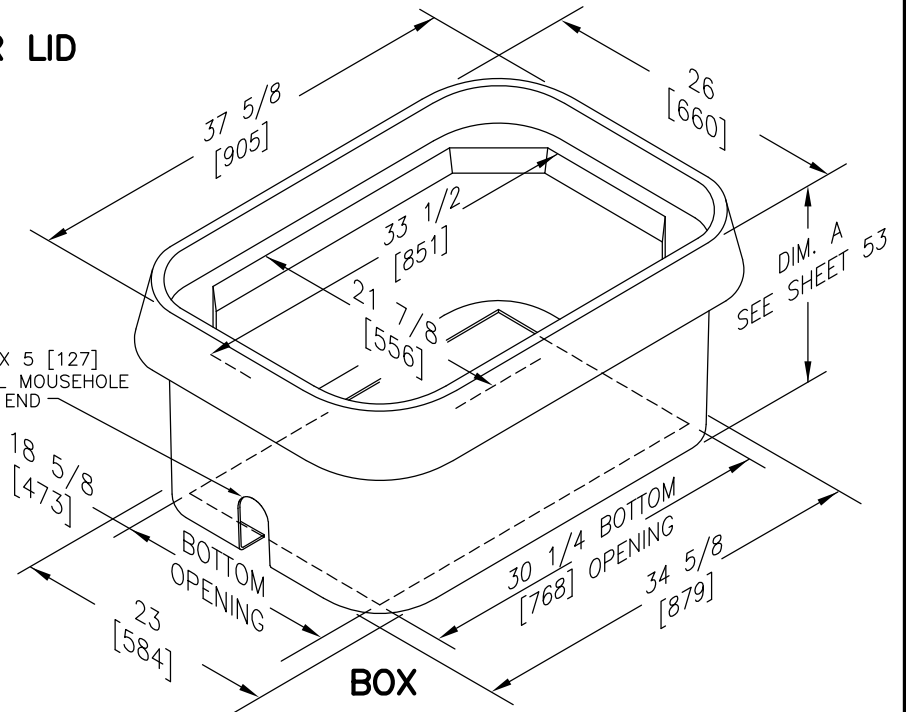
**COVER W/TOUCH READER HOLE**

1/2-13 UNC SS  
CAPTIVE PENTA HEAD  
BOLT (2 PLACES)



**CAPTIVE BOLT DETAIL**

HEX HEAD BOLTS ARE  
AVAILABLE ON REQUEST



Dimensions in brackets are in millimeters

# SPECIFICATIONS/DATA

## 24" X 36" STRAIGHT WALL STYLE (STACKABLE) ASSEMBLY

**COVERS** Bolt down covers have S.S. Captive Penta Head Bolts [Blank unless logo is specified]  
(Hex Head Bolts are available – change 2nd digit in cover part no. to "2")

DESCRIPTION	PART NO.	Old Catalog No.	WEIGHT# LBS./kg.	DESIGN/TEST LOAD#	ANSI TIER
Tier 8 w/2 Bolts	C10243603A	C10-2436-03	86/39	8,000/12,000	8
Tier 8 No Bolt Down	C00243603A	C00-2436-03	86/39	8,000/12,000	8
Tier 15 w/2 Bolts	C12243603A	C12-2436-03	94/43	15,000/22,500	15
Tier 15 No Bolt Down	C02243603A	C02-2436-03	94/43	15,000/22,500	15
Tier 22 w/2 Bolts	C16243603A	special number	94/43	22,500/33,750	22
Tier 22 No Bolt Down	C06243603A	special number	94/43	22,500/33,750	22
No Bolts w/4x6 Meter Lid (Over 90)	C08243603C	C00-2436-3C	90/41	5,000/7,500	5
Bolts w/4x6 Meter Lid (Over 90)	C18243603C	C10-2436-3C	90/41	5,000/7,500	5
No Bolts w/4x6 Meter Lid (Under 90)	C08243603D	C00-2436-3C	90/41	5,000/7,500	5
Bolts w/4x6 Meter Lid (Under 90)	C18243603D	C10-2436-3C	90/41	5,000/7,500	5
No Bolts w/6x9 Meter Lid (Over 90)	C08243603E	C00-2436-3C	90/41	5,000/7,500	5
Bolts w/6x9 Meter Lid (Over 90)	C18243603E	C10-2436-3C	90/41	5,000/7,500	5
No Bolts w/6x9 Meter Lid (Under 90)	C08243603F	C00-2436-3C	90/41	5,000/7,500	5
Bolts w/6x9 Meter Lid (Under 90)	C18243603F	C10-2436-3C	90/41	5,000/7,500	5
No Bolts w/Touch Reader Hole	C00243603P	C00-2436-3TR	86/39	8,000/12,000	8
Bolts w/Touch Reader Hole	C10243603P	C10-2436-3TR	86/39	8,000/12,000	8
No Bolts w/6x9 Drop In Reader Lid	C08243603T	C00-2436-3E	94/43	5,000/7,500	5
Bolts w/6x9 Drop In Reader Lid	C18243603T	C10-2436-3E	94/43	5,000/7,500	5
No Bolts w/7x13 Drop In Reader Lid	C08243603U	C00-2436-3E	94/43	5,000/7,500	5
Bolts w/7x13 Drop In Reader Lid	C18243603U	C10-2436-3E	94/43	5,000/7,500	5
No Bolts w/9x15 Drop In Reader Lid	C08243603V	C00-2436-3E	94/43	5,000/7,500	5
Bolts w/9x15 Drop In Reader Lid	C18243603V	C10-2436-3E	94/43	5,000/7,500	5

Covers must be used with equivalent tier boxes or higher (example a Tier 15 cover may not be used with Tier 8 box).



# SPECIFICATIONS/DATA

## 24" X 36" STRAIGHT WALL STYLE (STACKABLE) ASSEMBLY

### BOXES (Stackable with self-aligning corrosion resistant replaceable nuts)

DESCRIPTION	PART NO.	Old Catalog No.	DIM. A IN./mm.	WEIGHT# LBS./kg.	DESIGN/TEST LOAD#	ANSI TIER
Tier 8	B13243618A	B13-2436-18	18/457	100/45	8,000/12,000	8
	B13243624A	B13-2436-24	24/610	109/49	8,000/12,000	8
	B13243630A	B13-2436-30	30/762	118/54	8,000/12,000	8
	B13243642A	B13-2436-42	42/1067	136/62	8,000/12,000	8
Tier 15	B14243618A	B14-2436-18	18/457	105/48	15,000/22,500	15
	B14243624A	B14-2436-24	24/610	114/52	15,000/22,500	15
	B14243630A	B14-2436-30	30/762	123/56	15,000/22,500	15
Tier 22	B14243642A	B14-2436-42	42/1067	141/64	15,000/22,500	15
	B16243618A	special number	18/457	105/48	22,500/33,750	22
	B16243624A	special number	24/610	114/52	22,500/33,750	22
	B16243630A	special number	30/762	123/56	22,500/33,750	22
Tier 8 Solid Bottom	B16243642A	special number	42/1067	141/64	22,500/33,750	22
	B13243618B	B13-2436-18B	18/457	107/49	8,000/12,000	8
	B13243624B	B13-2436-24B	24/610	116/53	8,000/12,000	8
	B13243630B	B13-2436-30B	30/762	125/57	8,000/12,000	8
Tier 15 Solid Bottom	B13243642B	B13-2436-42B	42/1067	143/65	8,000/12,000	8
	B14243618B	B14-2436-18B	18/457	112/51	15,000/22,500	15
	B14243624B	B14-2436-24B	24/610	121/55	15,000/22,500	15
	B14243630B	B14-2436-30B	30/762	130/59	15,000/22,500	15
Tier 22 Solid Bottom	B14243642B	B14-2436-42B	42/1067	148/68	15,000/22,500	15
	B16243618B	special number	18/457	112/51	22,500/33,750	22
	B16243624B	special number	24/610	121/55	22,500/33,750	22
	B16243630B	special number	30/762	130/59	22,500/33,750	22
Tier 8 w/ Gasket*	B16243642B	special number	42/1067	148/68	22,500/33,750	22
	B13243618G	B13-2436-18G	18/457	100/45	8,000/12,000	8
	B13243624G	B13-2436-24G	24/610	109/49	8,000/12,000	8
	B13243630G	B13-2436-30G	30/762	118/54	8,000/12,000	8
Tier 15 w/ Gasket*	B13243642G	B13-2436-42G	42/1067	136/62	8,000/12,000	8
	B14243618G	B14-2436-18G	18/457	105/48	15,000/22,500	15
	B14243624G	B14-2436-24G	24/610	114/52	15,000/22,500	15
	B14243630G	B14-2436-30G	30/762	123/56	15,000/22,500	15
Tier 22 w/ Gasket*	B14243642G	B14-2436-42G	42/1067	141/64	15,000/22,500	15
	B16243618G	special number	18/457	105/48	22,500/33,750	22
	B16243624G	special number	24/610	114/52	22,500/33,750	22
	B16243630G	special number	30/762	123/56	22,500/33,750	22
Tier 8 Solid Bottom w/ Gasket*	B16243642G	special number	42/1067	141/64	22,500/33,750	22
	B132436500	B13-2436-18BG	18/457	107/49	8,000/12,000	8
	B132436501	B13-2436-24BG	24/610	116/53	8,000/12,000	8
	B132436502	B13-2436-30BG	30/762	125/57	8,000/12,000	8
Tier 15 Solid Bottom w/ Gasket*	B132436504	B13-2436-42BG	42/1067	143/65	8,000/12,000	8
	B142436500	B14-2436-18BG	18/457	112/51	15,000/22,500	15
	B142436501	B14-2436-24BG	24/610	121/55	15,000/22,500	15
	B142436502	B14-2436-30BG	30/762	130/59	15,000/22,500	15
Tier 22 Solid Bottom w/ Gasket*	B142436504	B14-2436-42BG	42/1067	148/68	15,000/22,500	15
	B162436500	special number	18/457	112/51	22,500/33,750	22
	B162436501	special number	24/610	121/55	22,500/33,750	22
	B162436502	special number	30/762	130/59	22,500/33,750	22
Tier 8 w/ Standard Mouseholes	B162436504	special number	42/1067	148/68	22,500/33,750	22
	B13243618M	B13-2436-18	18/457	100/45	8,000/12,000	8
	B13243624M	B13-2436-24	24/610	109/49	8,000/12,000	8
	B13243630M	B13-2436-30	30/762	118/54	8,000/12,000	8
Tier 15 w/ Standard Mouseholes	B13243642M	B13-2436-42	42/1067	136/62	8,000/12,000	8
	B14243618M	B14-2436-18	18/457	105/48	15,000/22,500	15
	B14243624M	B14-2436-24	24/610	114/52	15,000/22,500	15
	B14243630M	B14-2436-30	30/762	123/56	15,000/22,500	15
Tier 22 w/ Standard Mouseholes	B14243642M	B14-2436-42	42/1067	141/64	15,000/22,500	15
	B16243618M	special number	18/457	105/48	22,500/33,750	22
	B16243624M	special number	24/610	114/52	22,500/33,750	22
	B16243630M	special number	30/762	123/56	22,500/33,750	22
	B16243642M	special number	42/1067	141/64	22,500/33,750	22

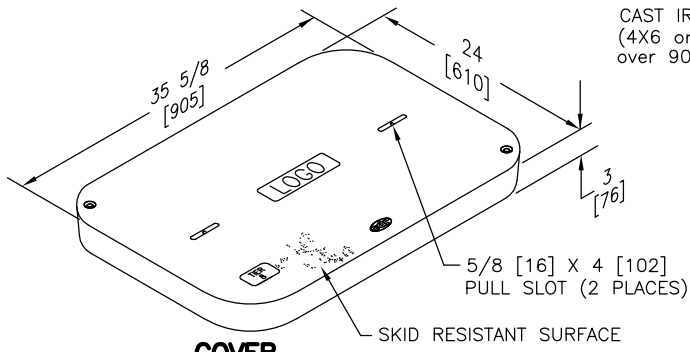
\*Gaskets reduce the inflow of fluids but do not make the enclosure water tight.

● Loadings comply with ANSI/SCTE 77 (See page 3 & 4)



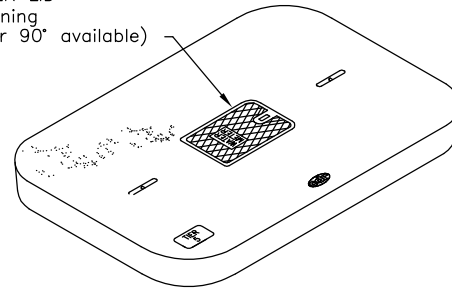
# SPECIFICATIONS/DATA

## 24" X 36" FLARED WALL STYLE (NESTABLE) ASSEMBLY



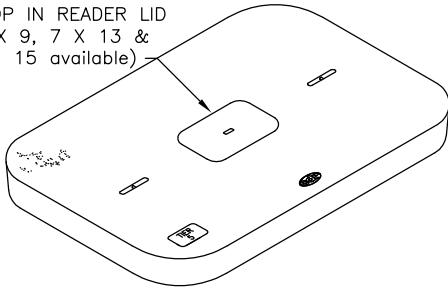
**COVER**

CAST IRON READER LID  
(4X6 or 6X9 opening  
over 90° or under 90° available)



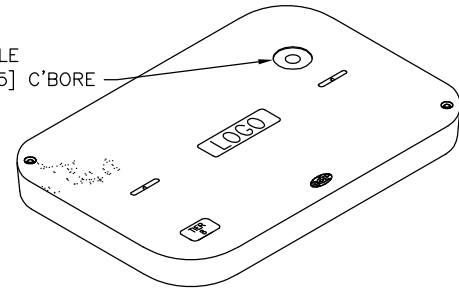
**COVER W/READER LID**

DROP IN READER LID  
(6 X 9, 7 X 13 &  
9 X 15 available)



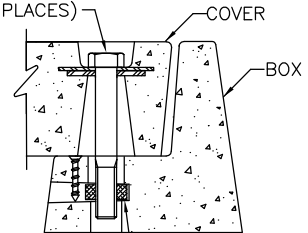
**COVER W/DROP IN READER LID**

Ø2 [51] TOUCH READER HOLE  
w/Ø4 1/8 [105] X 3/16 [5] C'BORE



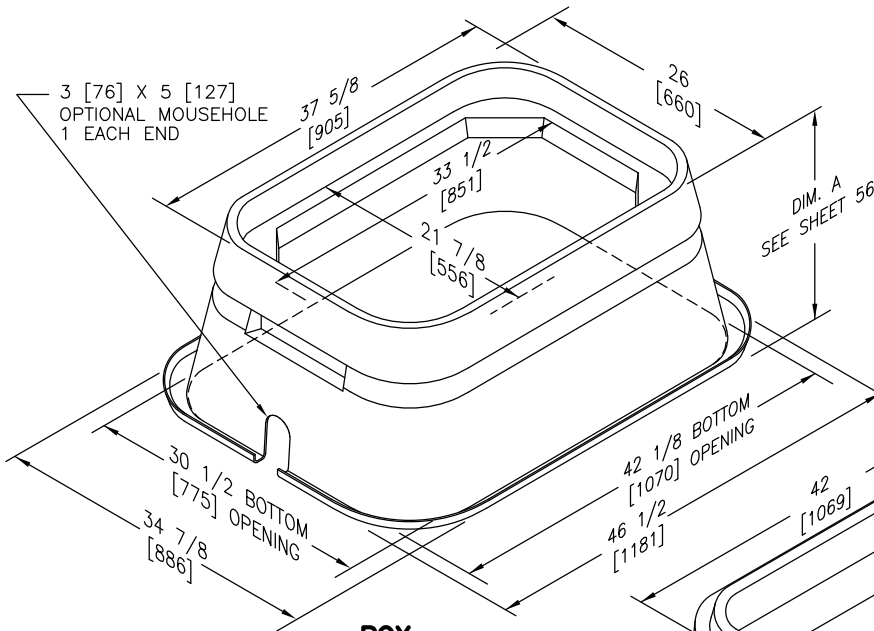
**COVER W/TOUCH READER HOLE**

1/2-13 UNC SS  
CAPTIVE PENTA HEAD  
BOLT (2 PLACES)



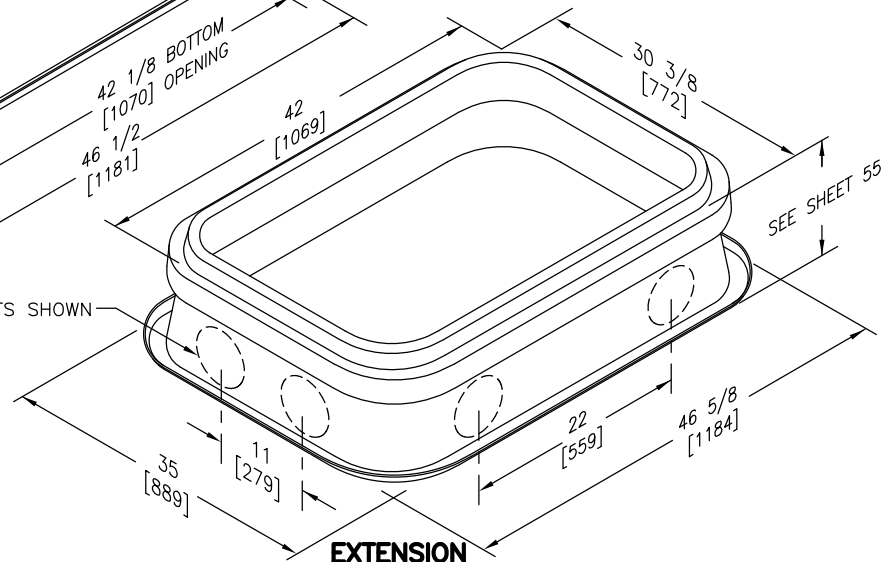
**CAPTIVE BOLT DETAIL**

HEX HEAD BOLTS ARE  
AVAILABLE ON REQUEST



**BOX**

OPTIONAL KNOCKOUTS SHOWN



**EXTENSION**

Dimensions in brackets are in millimeters



# SPECIFICATIONS/DATA

## 24" X 36" FLARED WALL STYLE (NESTABLE) ASSEMBLY

**COVERS** Bolt down covers have S.S. Captive Penta Head Bolts [Blank unless logo is specified]  
 (Hex Head Bolts are available – change 2nd digit in cover part no. to "2")

DESCRIPTION	PART NO.	Old Catalog No.	WEIGHT# LBS./kg.	DESIGN/TEST LOAD#	ANSI TIER
Tier 8 w/2 Bolts	C10243603A	C10-2436-03	86/39	8,000/12,000	8
Tier 8 No Bolt Down	C00243603A	C00-2436-03	86/39	8,000/12,000	8
Tier 15 w/2 Bolts	C12243603A	C12-2436-03	94/43	15,000/22,500	15
Tier 15 No Bolt Down	C02243603A	C02-2436-03	94/43	15,000/22,500	15
Tier 22 w/2 Bolts	C16243603A	special number	94/43	22,500/33,750	22
Tier 22 No Bolt Down	C06243603A	special number	94/43	22,500/33,750	22
No Bolts w/4x6 Meter Lid (Over 90)	C08243603C	C00-2436-3C	90/41	5,000/7,500	5
Bolts w/4x6 Meter Lid (Over 90)	C18243603C	C10-2436-3C	90/41	5,000/7,500	5
No Bolts w/4x6 Meter Lid (Under 90)	C08243603D	C00-2436-3C	90/41	5,000/7,500	5
Bolts w/4x6 Meter Lid (Under 90)	C18243603D	C10-2436-3C	90/41	5,000/7,500	5
No Bolts w/6x9 Meter Lid (Over 90)	C08243603E	C00-2436-3C	90/41	5,000/7,500	5
Bolts w/6x9 Meter Lid (Over 90)	C18243603E	C10-2436-3C	90/41	5,000/7,500	5
No Bolts w/6x9 Meter Lid (Under 90)	C08243603F	C00-2436-3C	90/41	5,000/7,500	5
Bolts w/6x9 Meter Lid (Under 90)	C18243603F	C10-2436-3C	90/41	5,000/7,500	5
No Bolts w/Touch Reader Hole	C00243603P	C00-2436-3TR	86/39	8,000/12,000	8
Bolts w/Touch Reader Hole	C10243603P	C10-2436-3TR	86/39	8,000/12,000	8
No Bolts w/6x9 Drop In Reader Lid	C08243603T	C00-2436-3E	94/43	5,000/7,500	5
Bolts w/6x9 Drop In Reader Lid	C18243603T	C10-2436-3E	94/43	5,000/7,500	5
No Bolts w/7x13 Drop In Reader Lid	C08243603U	C00-2436-3E	94/43	5,000/7,500	5
Bolts w/7x13 Drop In Reader Lid	C18243603U	C10-2436-3E	94/43	5,000/7,500	5
No Bolts w/9x15 Drop In Reader Lid	C08243603V	C00-2436-3E	94/43	5,000/7,500	5
Bolts w/9x15 Drop In Reader Lid	C18243603V	C10-2436-3E	94/43	5,000/7,500	5

Covers must be used with equivalent tier boxes or higher (example a Tier 15 cover may not be used with Tier 8 box).

### EXTENSION (Optional Knockouts or Terminators are available)

DESCRIPTION	PART NO.	Old Catalog No.	WEIGHT# LBS./kg.	DESIGN/TEST LOAD#
Tier 8 8" Deep	E00243608A	E00-2436-08	46/21	8,000/12,000
Tier 8 16" Deep	E00243616A	E00-2436-16	55/25	8,000/12,000
Tier 15 8" Deep	E02243608A	E02-2436-08	46/21	15,000/22,500
Tier 15 16" Deep	E02243616A	E02-2436-16	63/29	15,000/22,500

36" [915], 42" [1067] & 48" [1219] deep flared wall boxes will not work with extensions





# SPECIFICATIONS/DATA

## 24" X 36" FLARED WALL STYLE (NESTABLE) ASSEMBLY

BOXES (Nestable with self-aligning corrosion resistant replaceable nuts)						
DESCRIPTION	PART NO.	Old Catalog No.	DIM. A IN./mm.	WEIGHT# LBS./kg.	DESIGN/TEST LOAD#	ANSI TIER
Tier 8	B10243618A	B10-2436-18	18/457	100/45	8,000/12,000	8
	B10243624A	B10-2436-24	24/610	109/49	8,000/12,000	8
	B10243630A	B10-2436-30	30/762	118/54	8,000/12,000	8
	B10243636A	B10-2436-36	36/914	124/56	8,000/12,000	8
	B10243642A	B10-2436-42	42/1069	127/58	8,000/12,000	8
	B10243648A	B10-2436-48	48/1219	133/60	8,000/12,000	8
Tier 15	B12243618A	B12-2436-18	18/457	105/48	15,000/22,500	15
	B12243624A	B12-2436-24	24/610	114/52	15,000/22,500	15
	B12243630A	B12-2436-30	30/762	123/56	15,000/22,500	15
	B12243636A	B12-2436-36	36/914	129/59	15,000/22,500	15
	B12243642A	B12-2436-42	42/1069	132/59	15,000/22,500	15
	B12243648A	B12-2436-48	48/1219	138/63	15,000/22,500	15
Tier 22	B19243618A	special number	18/457	105/48	22,500/33,750	22
	B19243624A	special number	24/610	114/52	22,500/33,750	22
	B19243630A	special number	30/762	123/56	22,500/33,750	22
	B19243636A	special number	36/914	129/59	22,500/33,750	22
	B19243642A	special number	42/1069	132/59	22,500/33,750	22
	B19243648A	special number	48/1219	138/63	22,500/33,750	22
Tier 8 w/ Gasket*	B10243618G	B10-2436-18G	18/457	100/45	8,000/12,000	8
	B10243624G	B10-2436-24G	24/610	109/49	8,000/12,000	8
	B10243630G	B10-2436-30G	30/762	118/54	8,000/12,000	8
	B10243636G	B10-2436-36G	36/914	124/56	8,000/12,000	8
	B10243642G	B10-2436-42G	42/1069	127/58	8,000/12,000	8
	B10243648G	B10-2436-48G	48/1219	133/60	8,000/12,000	8
Tier 15 w/ Gasket*	B12243618G	B02-2436-18G	18/457	105/48	15,000/22,500	15
	B12243624G	B02-2436-24G	24/610	114/52	15,000/22,500	15
	B12243630G	B02-2436-30G	30/762	123/56	15,000/22,500	15
	B12243636G	B02-2436-36G	36/914	129/59	15,000/22,500	15
	B12243642G	B02-2436-42G	42/1069	132/59	15,000/22,500	15
	B12243648G	B02-2436-48G	48/1219	138/63	15,000/22,500	15
Tier 22 w/ Gasket*	B19243618G	special number	18/457	105/48	22,500/33,750	22
	B19243624G	special number	24/610	114/52	22,500/33,750	22
	B19243630G	special number	30/762	123/56	22,500/33,750	22
	B19243636G	special number	36/914	129/59	22,500/33,750	22
	B19243642G	special number	42/1069	132/59	22,500/33,750	22
	B19243648G	special number	48/1219	138/63	22,500/33,750	22
Tier 8 w/ Standard Mouseholes	B10243618M	B10-2436-18	18/457	100/45	8,000/12,000	8
	B10243624M	B10-2436-24	24/610	109/49	8,000/12,000	8
	B10243630M	B10-2436-30	30/762	118/54	8,000/12,000	8
	B10243636M	B10-2436-36	36/914	124/56	8,000/12,000	8
	B10243642M	B10-2436-42	42/1069	127/58	8,000/12,000	8
	B10243648M	B10-2436-48	48/1219	133/60	8,000/12,000	8
Tier 15 w/ Standard Mouseholes	B12243618M	B12-2436-18	18/457	105/48	15,000/22,500	15
	B12243624M	B12-2436-24	24/610	114/52	15,000/22,500	15
	B12243630M	B12-2436-30	30/762	123/56	15,000/22,500	15
	B12243636M	B12-2436-36	36/914	129/59	15,000/22,500	15
	B12243642M	B12-2436-42	42/1069	132/59	15,000/22,500	15
	B12243648M	B12-2436-48	48/1219	138/63	15,000/22,500	15
Tier 22 w/ Standard Mouseholes	B19243618M	special number	18/457	105/48	22,500/33,750	22
	B19243624M	special number	24/610	114/52	22,500/33,750	22
	B19243630M	special number	30/762	123/56	22,500/33,750	22
	B19243636M	special number	36/914	129/59	22,500/33,750	22
	B19243642M	special number	42/1069	132/59	22,500/33,750	22
	B19243648M	special number	48/1219	138/63	22,500/33,750	22

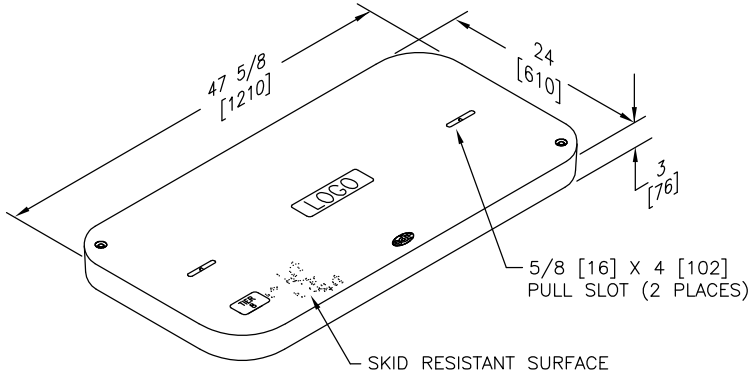
\*Gaskets reduce the inflow of fluids but do not make the enclosure water tight.

● Loadings comply with ANSI/SCTE 77 (See page 3 & 4)



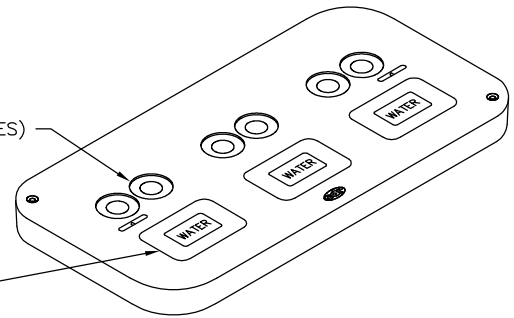
**SPECIFICATIONS/DATA**

**24" X 48" FLARED WALL STYLE (NESTABLE) ASSEMBLY**



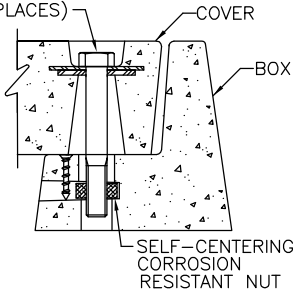
**COVER**

∅2 [51] TOUCH READER HOLE  
w/∅4 1/8 [105] X 3/16 [5] C'BORE (6 PLACES)



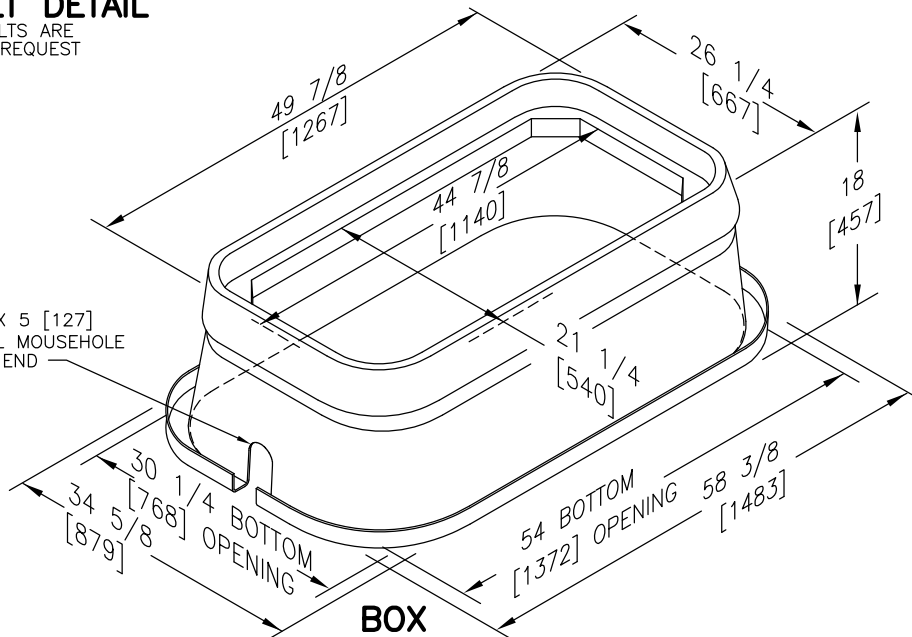
**COVER W/TOUCH READER HOLES  
AND DROP IN READER LIDS**

1/2-13 UNC SS  
CAPTIVE PENTA HEAD  
BOLT (2 PLACES)



**CAPTIVE BOLT DETAIL**

HEX HEAD BOLTS ARE  
AVAILABLE ON REQUEST



Dimensions in brackets are in millimeters

# SPECIFICATIONS/DATA

## 24" X 48" FLARED WALL STYLE (NESTABLE) ASSEMBLY

COVERS (Bolt down covers have S.S. Captive Bolts) [Blank unless logo is specified]					
DESCRIPTION	PART NO.	Old Catalog No.	WEIGHT# LBS./kg.	DESIGN/TEST LOAD#	ANSI TIER
Tier 8 w/2 Bolts	C10244803A	C10-2448-03	115/52	8,000/12,000	8
Tier 8 No Bolt Down	C00244803A	C00-2448-03	115/52	8,000/12,000	8
Tier 15 w/2 Bolts	C12244803A	C12-2448-03	125/57	15,000/22,500	15
Tier 15 No Bolt Down	C02244803A	C02-2448-03	125/57	15,000/22,500	15
Tier 22 w/2 Bolts	C16244803A	special number	125/57	22,500/33,750	22
Tier 22 No Bolt Down	C06244803A	special number	125/57	22,500/33,750	22
No Bolts w/4x6 Meter Lid (Over 90)	C08244803C	C00-2448-3C	115/52	5,000/7,500	5
Bolts w/4x6 Meter Lid (Over 90)	C18244803C	C10-2448-3C	115/52	5,000/7,500	5
No Bolts w/4x6 Meter Lid (Under 90)	C08244803D	C00-2448-3C	115/52	5,000/7,500	5
Bolts w/4x6 Meter Lid (Under 90)	C18244803D	C10-2448-3C	115/52	5,000/7,500	5
No Bolts w/6x9 Meter Lid (Over 90)	C08244803E	C00-2448-3C	115/52	5,000/7,500	5
Bolts w/6x9 Meter Lid (Over 90)	C18244803E	C10-2448-3C	115/52	5,000/7,500	5
No Bolts w/6x9 Meter Lid (Under 90)	C08244803F	C00-2448-3C	115/52	5,000/7,500	5
Bolts w/6x9 Meter Lid (Under 90)	C18244803F	C10-2448-3C	115/52	5,000/7,500	5
No Bolts w/Touch Reader Hole	C00244803P	C00-2448-3TR	111/50	8,000/12,000	8
Bolts w/Touch Reader Hole	C10244803P	C10-2448-3TR	111/50	8,000/12,000	8
No Bolts w/6x9 Drop In Reader Lid	C08244803T	C00-2448-3E	119/54	5,000/7,500	5
Bolts w/6x9 Drop In Reader Lid	C18244803T	C10-2448-3E	119/54	5,000/7,500	5
No Bolts w/7x13 Drop In Reader Lid	C08244803U	C00-2448-3E	119/54	5,000/7,500	5
Bolts w/7x13 Drop In Reader Lid	C18244803U	C10-2448-3E	119/54	5,000/7,500	5
No Bolts w/9x15 Drop In Reader Lid	C08244803V	C00-2448-3E	119/54	5,000/7,500	5
Bolts w/9x15 Drop In Reader Lid	C18244803V	C10-2448-3E	119/54	5,000/7,500	5
Bolts w/(3)6x9 Drop In Reader Lids & (6) Touch Reader Holes	C102448500	WC10-2448-03TRE1	168/76	5,000/7,500	5

Covers must be used with equivalent tier boxes or higher (example a Tier 15 cover may not be used with Tier 8 box).

BOXES				
DESCRIPTION	PART NO.	Old Catalog No.	WEIGHT# LBS./kg.	DESIGN/TEST LOAD#
Tier 8 W/2 Bolts	B10244818A	B10-2448-18	145/66	8,000/12,000
Tier 8 w/ Gasket*	B10244818G	B10-2448-18G	145/66	8,000/12,000
Tier 8 w/ Standard Mouseholes	B10244818M	B10-2448-18	145/66	8,000/12,000
Tier 15 W/2 Bolts	B12244818A	B12-2448-18	150/68	15,000/22,500
Tier 15 w/ Gasket*	B12244818G	B12-2448-18G	150/68	15,000/22,500
Tier 15 w/ Standard Mouseholes	B12244818M	B12-2448-18	150/68	15,000/22,500
Tier 22 W/2 Bolts	B19244818A	B19-2448-18	150/68	22,500/33,750
Tier 22 w/ Gasket*	B19244818G	B19-2448-18G	150/68	22,500/33,750
Tier 22 w/ Standard Mouseholes	B19244818M	B19-2448-18	150/68	22,500/33,750

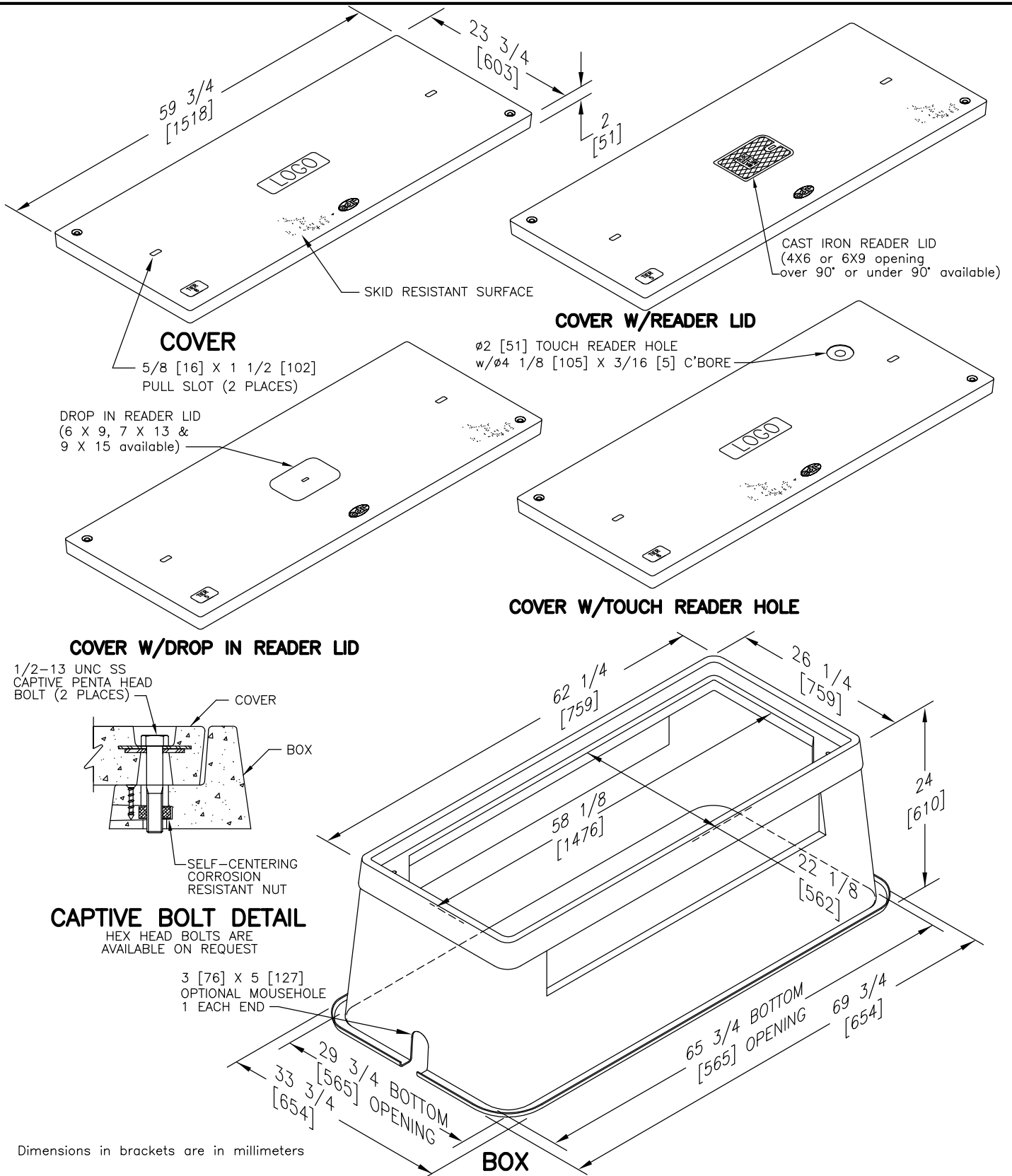
\*Gaskets reduce the inflow of fluids but do not make the enclosure water tight.

● Loadings comply with ANSI/SCTE 77 (See page 3 & 4)



**SPECIFICATIONS/DATA**

**24" X 60" FLARED WALL STYLE (NESTABLE) ASSEMBLY**



# SPECIFICATIONS/DATA

## 24" X 60" FLARED WALL STYLE (NESTABLE) ASSEMBLY

<b>COVERS</b> Bolt down covers have S.S. Captive Penta Head Bolts [Blank unless logo is specified] (Hex Head Bolts are available - change 2nd digit in cover part no. to "2")					
DESCRIPTION	PART NO.	Old Catalog No.	WEIGHT# LBS./kg.	DESIGN/TEST LOAD#	ANSI TIER
Tier 8 w/2 Bolts	C10246003A	C10-2460-03	65/29	8,000/12,000	8
Tier 8 No Bolt Down	C00246003A	C00-2460-03	65/29	8,000/12,000	8
No Bolts w/4x6 Meter Lid (Over 90)	C08246003C	C00-2460-3C	69/31	5,000/7,500	5
Bolts w/4x6 Meter Lid (Over 90)	C18246003C	C10-2460-3C	69/31	5,000/7,500	5
No Bolts w/4x6 Meter Lid (Under 90)	C08246003D	C00-2460-3C	69/31	5,000/7,500	5
Bolts w/4x6 Meter Lid (Under 90)	C18246003D	C10-2460-3C	69/31	5,000/7,500	5
No Bolts w/6x9 Meter Lid (Over 90)	C08246003E	C00-2460-3C	69/31	5,000/7,500	5
Bolts w/6x9 Meter Lid (Over 90)	C18246003E	C10-2460-3C	69/31	5,000/7,500	5
No Bolts w/6x9 Meter Lid (Under 90)	C08246003F	C00-2460-3C	69/31	5,000/7,500	5
Bolts w/6x9 Meter Lid (Under 90)	C18246003F	C10-2460-3C	69/31	5,000/7,500	5
No Bolts w/Touch Reader Hole	C00246003P	C00-2460-3TR	65/29	8,000/12,000	8
Bolts w/Touch Reader Hole	C10246003P	C10-2460-3TR	65/29	8,000/12,000	8
No Bolts w/6x9 Drop In Reader Lid	C08246003T	C00-2460-3E	77/35	5,000/7,500	5
Bolts w/6x9 Drop In Reader Lid	C18246003T	C10-2460-3E	77/35	5,000/7,500	5
No Bolts w/7x13 Drop In Reader Lid	C08246003U	C00-2460-3E	77/35	5,000/7,500	5
Bolts w/7x13 Drop In Reader Lid	C18246003U	C10-2460-3E	77/35	5,000/7,500	5
No Bolts w/9x15 Drop In Reader Lid	C08246003V	C00-2460-3E	77/35	5,000/7,500	5
Bolts w/9x15 Drop In Reader Lid	C18246003V	C10-2460-3E	77/35	5,000/7,500	5

<b>BOXES</b>				
DESCRIPTION	PART NO.	Old Catalog No.	WEIGHT# LBS./kg.	DESIGN/TEST LOAD#
Tier 8 W/2 Bolts	B10246024A	B10-2460-24	115/52	8,000/12,000
Tier 8 w/ Gasket*	B10246024G	B10-2460-24G	115/52	8,000/12,000
Tier 8 w/ Standard Mouseholes	B10246024M	B10-2460-24	115/52	8,000/12,000

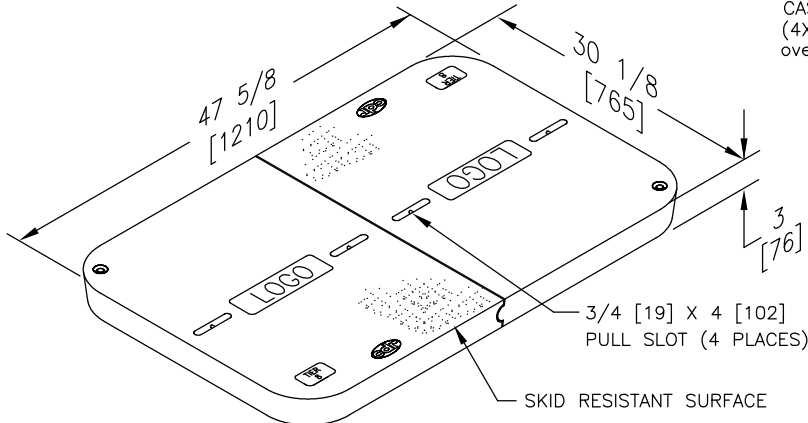
\*Gaskets reduce the inflow of fluids but do not make the enclosure water tight.

● Loadings comply with ANSI/SCTE 77 (See page 3 & 4)

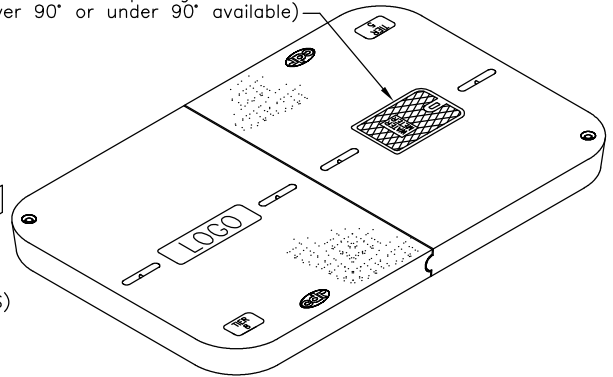
**SPECIFICATIONS/DATA**

**30" X 48" STRAIGHT WALL STYLE (STACKABLE) ASSEMBLY**

CAST IRON READER LID  
(4X6 or 6X9 opening  
over 90° or under 90° available)

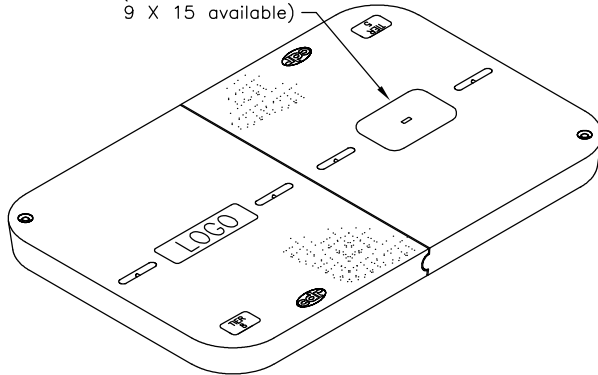


**2 PIECE COVER**  
(ONE PIECE COVERS ARE AVAILABLE)



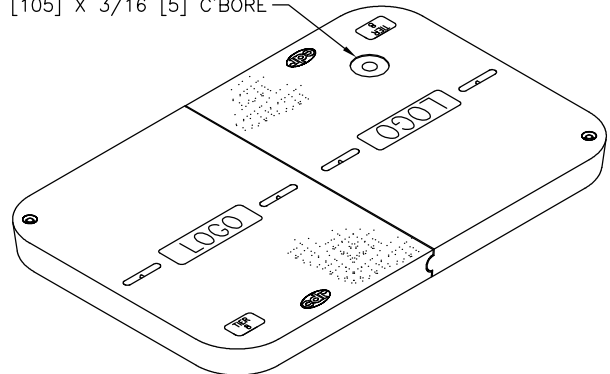
**COVER W/READER LID**

DROP IN READER LID  
(6 X 9, 7 X 13 &  
9 X 15 available)



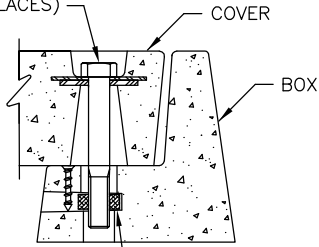
**COVER W/DROP IN READER LID**

Ø2 [51] TOUCH READER HOLE  
w/Ø4 1/8 [105] X 3/16 [5] C'BORE



**COVER W/TOUCH READER HOLE**

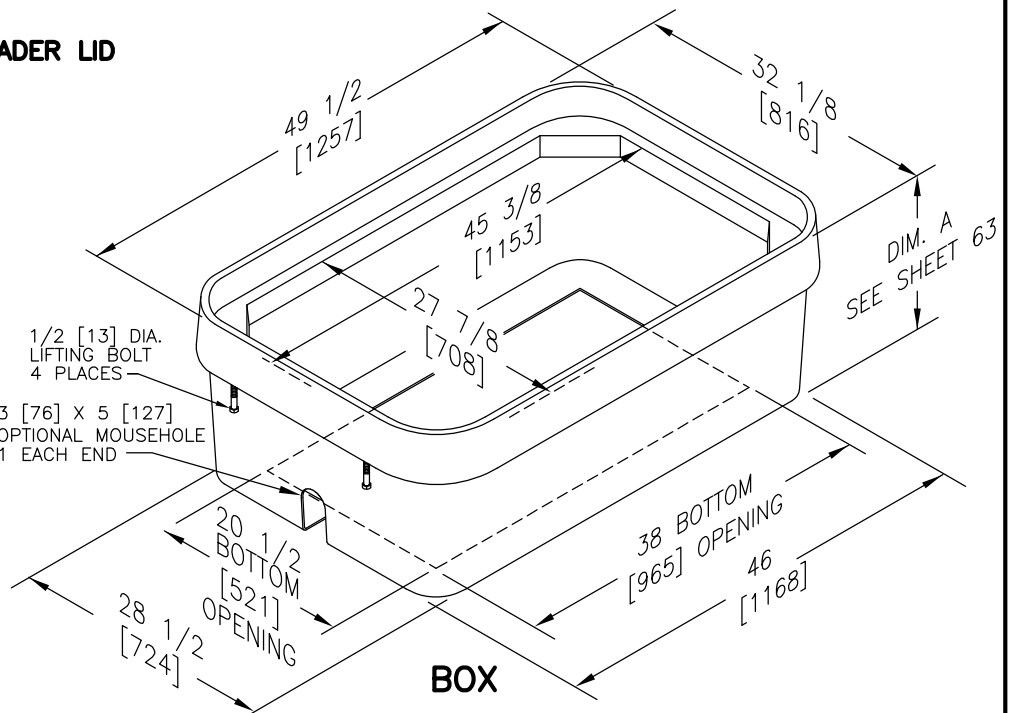
1/2-13 UNC SS  
CAPTIVE PENTA HEAD  
BOLT (2 PLACES)



**CAPTIVE BOLT DETAIL**

HEX HEAD BOLTS ARE  
AVAILABLE ON REQUEST

1/2 [13] DIA.  
LIFTING BOLT  
4 PLACES  
3 [76] X 5 [127]  
OPTIONAL MOUSEHOLE  
1 EACH END



**BOX**

Dimensions in brackets are in millimeters

# SPECIFICATIONS/DATA

## 30" X 48" STRAIGHT WALL STYLE (STACKABLE) ASSEMBLY

COVERS Bolt down covers have S.S. Captive Penta Head Bolts [Blank unless logo is specified] (Hex Head Bolts are available – change 2nd digit in cover part no. to "2")					
DESCRIPTION	PART NO.	Old Catalog No.	WEIGHT# LBS./kg.	DESIGN/TEST LOAD#	ANSI TIER
Tier 8 w/2 Bolts	C10304803A	C10-3048-23W	165/75	8,000/12,000	8
Tier 8 No Bolt Down	C00304803A	C00-3048-23W	165/75	8,000/12,000	8
Tier 15 w/2 Bolts	C12304803A	C12-3048-23W	225/102	15,000/22,500	15
Tier 15 No Bolt Down	C02304803A	C02-3048-23W	225/102	15,000/22,500	15
Tier 22 w/2 Bolts	C16304803A	special number	225/102	22,500/33,750	22
Tier 22 No Bolt Down	C06304803A	special number	225/102	22,500/33,750	22
No Bolts w/4x6 Meter Lid (Over 90)	C08304803C	C00-3048-23WC	170/77	5,000/7,500	5
Bolts w/4x6 Meter Lid (Over 90)	C18304803C	C10-3048-23WC	170/77	5,000/7,500	5
No Bolts w/4x6 Meter Lid (Under 90)	C08304803D	C00-3048-23WC	170/77	5,000/7,500	5
Bolts w/4x6 Meter Lid (Under 90)	C18304803D	C10-3048-23WC	170/77	5,000/7,500	5
No Bolts w/6x9 Meter Lid (Over 90)	C08304803E	C00-3048-23WC	170/77	5,000/7,500	5
Bolts w/6x9 Meter Lid (Over 90)	C18304803E	C10-3048-23WC	170/77	5,000/7,500	5
No Bolts w/6x9 Meter Lid (Under 90)	C08304803F	C00-3048-23WC	170/77	5,000/7,500	5
Bolts w/6x9 Meter Lid (Under 90)	C18304803F	C10-3048-23WC	170/77	5,000/7,500	5
No Bolts w/Touch Reader Hole	C00304803P	C00-3048-23WTR	165/75	8,000/12,000	8
Bolts w/Touch Reader Hole	C10304803P	C10-3048-23WTR	165/75	8,000/12,000	8
No Bolts w/6x9 Drop In Reader Lid	C08304803T	C00-3048-23WE	225/102	5,000/7,500	5
Bolts w/6x9 Drop In Reader Lid	C18304803T	C10-3048-23WE	225/102	5,000/7,500	5
No Bolts w/7x13 Drop In Reader Lid	C08304803U	C00-3048-23WE	225/102	5,000/7,500	5
Bolts w/7x13 Drop In Reader Lid	C18304803U	C10-3048-23WE	225/102	5,000/7,500	5
No Bolts w/9x15 Drop In Reader Lid	C08304803V	C00-3048-23WE	225/102	5,000/7,500	5
Bolts w/9x15 Drop In Reader Lid	C18304803V	C10-2436-23WE	225/102	5,000/7,500	5
Tier 8 w/2 Bolts (one piece)	C103048500	C10-3048-03W	165/75	8,000/12,000	8
Tier 15 w/2 Bolts (one piece)	C123048500	C12-3048-03W	225/102	15,000/22,500	15

Covers must be used with equivalent tier boxes or higher (example a Tier 15 cover may not be used with Tier 8 box). One piece cover is available upon request.

# SPECIFICATIONS/DATA

## 30" X 48" STRAIGHT WALL STYLE (STACKABLE) ASSEMBLY

BOXES (Stackable with self-aligning corrosion resistant replaceable nuts)						
DESCRIPTION	PART NO.	Old Catalog No.	DIM. A IN./mm.	WEIGHT# LBS./kg.	DESIGN/TEST LOAD#	ANSI TIER
Tier 8	B13304818A	B13-3048-18W	18/457	130/59	8,000/12,000	8
	B13304824A	B13-3048-24W	24/610	148/67	8,000/12,000	8
	B13304836A	B13-3048-36W	36/914	160/73	8,000/12,000	8
Tier 15	B14304818A	B14-3048-18W	18/457	135/61	15,000/22,500	15
	B14304824A	B14-3048-24W	24/610	153/69	15,000/22,500	15
	B14304836A	B14-3048-36W	36/914	170/77	15,000/22,500	15
Tier 22	B16304818A	special numbers	18/457	135/61	22,500/33,750	22
	B16304824A	special numbers	24/610	153/69	22,500/33,750	22
	B16304836A	special numbers	36/914	170/77	22,500/33,750	22
Tier 8 Solid Bottom	B13304818B	B13-3048-18WB	18/457	140/64	8,000/12,000	8
	B13304824B	B13-3048-24WB	24/610	158/72	8,000/12,000	8
	B13304836B	B13-3048-36WB	36/914	170/77	8,000/12,000	8
Tier 15 Solid Bottom	B13304818B	B13-3048-18WB	18/457	140/64	8,000/12,000	15
	B13304824B	B13-3048-24WB	24/610	158/72	8,000/12,000	15
	B13304836B	B13-3048-36WB	36/914	170/77	8,000/12,000	15
Tier 22 Solid Bottom	B16304818B	special numbers	18/457	140/64	22,500/33,750	22
	B16304824B	special numbers	24/610	158/72	22,500/33,750	22
	B16304836B	special numbers	36/914	170/77	22,500/33,750	22
Tier 8 w/ Gasket*	B13304818G	B13-3048-18WG	18/457	130/59	8,000/12,000	8
	B13304824G	B13-3048-24WG	24/610	148/67	8,000/12,000	8
	B13304836G	B13-3048-36WG	36/914	160/73	8,000/12,000	8
Tier 15 w/ Gasket*	B14304818G	B14-3048-18WG	18/457	135/61	15,000/22,500	15
	B14304824G	B14-3048-24WG	24/610	153/69	15,000/22,500	15
	B14304836G	B14-3048-36WG	36/914	170/77	15,000/22,500	15
Tier 22 w/ Gasket*	B16304818G	special numbers	18/457	135/61	22,500/33,750	22
	B16304824G	special numbers	24/610	153/69	22,500/33,750	22
	B16304836G	special numbers	36/914	170/77	22,500/33,750	22
Tier 8 Solid Bottom w/ Gasket*	B133048500	B13-3048-18WBG	18/457	140/64	8,000/12,000	8
	B133048501	B13-3048-24WBG	24/610	158/72	8,000/12,000	8
	B133048503	B13-3048-36WBG	36/914	170/77	8,000/12,000	8
Tier 15 Solid Bottom w/ Gasket*	B143048500	B14-3048-18WBG	18/457	140/64	15,000/22,500	15
	B143048501	B14-3048-24WBG	24/610	158/72	15,000/22,500	15
	B143048503	B14-3048-36WBG	36/914	170/77	15,000/22,500	15
Tier 22 Solid Bottom w/ Gasket*	B163048500	special numbers	18/457	140/64	22,500/33,750	22
	B163048501	special numbers	24/610	158/72	22,500/33,750	22
	B163048503	special numbers	36/914	170/77	22,500/33,750	22
Tier 8 w/ Standard Mouseholes	B13304818M	B13-3048-18W	18/457	130/59	8,000/12,000	8
	B13304824M	B13-3048-24W	24/610	148/67	8,000/12,000	8
	B13304836M	B13-3048-36W	36/914	160/73	8,000/12,000	8
Tier 15 w/ Standard Mouseholes	B14304818M	B14-3048-18W	18/457	135/61	15,000/22,500	15
	B14304824M	B14-3048-24W	24/610	153/69	15,000/22,500	15
	B14304836M	B14-3048-36W	36/914	170/77	15,000/22,500	15
Tier 22 w/ Standard Mouseholes	B16304818M	special numbers	18/457	135/61	22,500/33,750	22
	B16304824M	special numbers	24/610	153/69	22,500/33,750	22
	B16304836M	special numbers	36/914	170/77	22,500/33,750	22

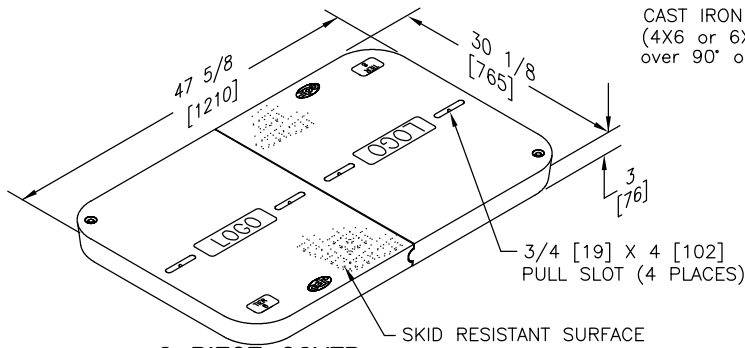
\*Gaskets reduce the inflow of fluids but do not make the enclosure water tight. One piece covers are recommended when using gaskets.

- Loadings comply with ANSI/SCTE 77 (See page 3 & 4)



# SPECIFICATIONS/DATA

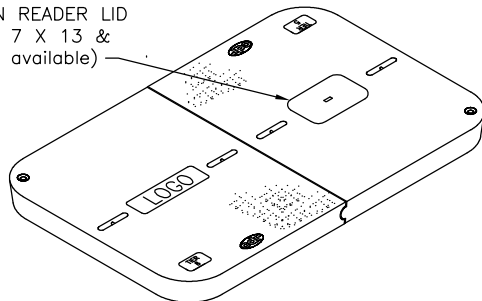
## 30" X 48" FLARED WALL STYLE (NESTABLE) ASSEMBLY



### 2 PIECE COVER

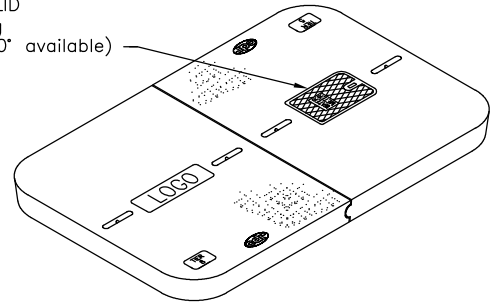
(ONE PIECE COVERS ARE AVAILABLE)

DROP IN READER LID  
(6 X 9, 7 X 13 &  
9 X 15 available)



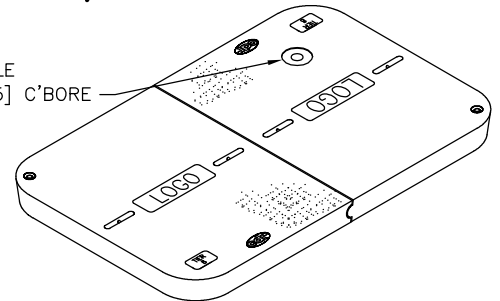
### COVER W/DROP IN READER LID

CAST IRON READER LID  
(4X6 or 6X9 opening  
over 90° or under 90° available)



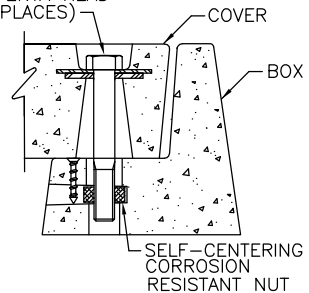
### COVER W/READER LID

Ø2 [51] TOUCH READER HOLE  
w/Ø4 1/8 [105] X 3/16 [5] C'BORE



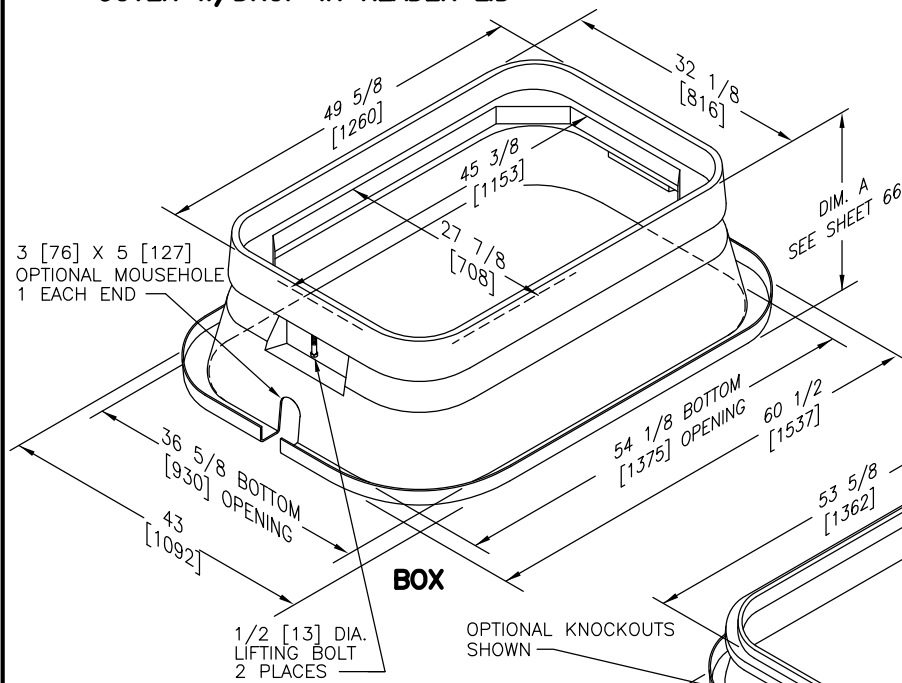
### COVER W/TOUCH READER HOLE

1/2-13 UNC SS  
CAPTIVE PENTA HEAD  
BOLT (2 PLACES)



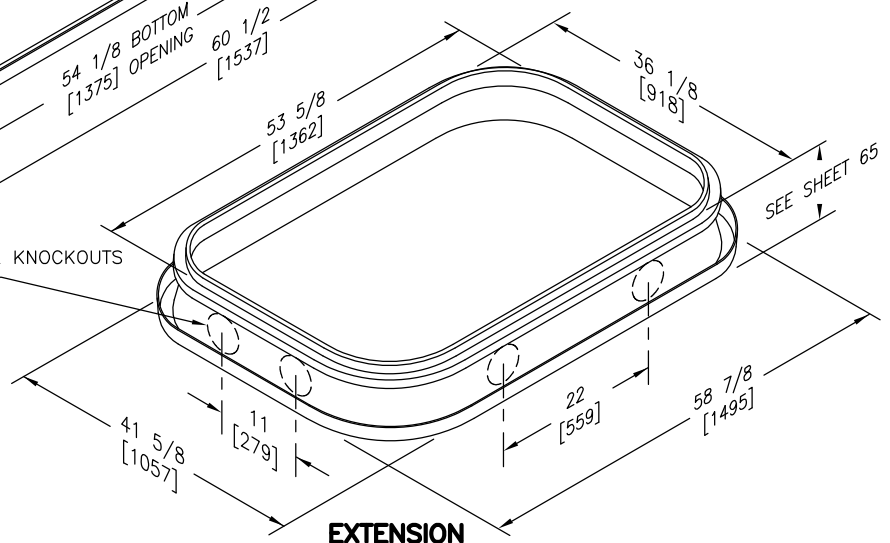
### CAPTIVE BOLT DETAIL

HEX HEAD BOLTS ARE  
AVAILABLE ON REQUEST



### BOX

OPTIONAL KNOCKOUTS  
SHOWN



### EXTENSION

Dimensions in brackets are in millimeters



# SPECIFICATIONS/DATA

## 30" X 48" FLARED WALL STYLE (NESTABLE) ASSEMBLY

**COVERS** Bolt down covers have S.S. Captive Penta Head Bolts [Blank unless logo is specified]  
(Hex Head Bolts are available – change 2nd digit in cover part no. to "2")

DESCRIPTION	PART NO.	Old Catalog No.	WEIGHT# LBS./kg.	DESIGN/TEST LOAD#	ANSI TIER
Tier 8 w/2 Bolts	C10304803A	C10-3048-23W	165/75	8,000/12,000	8
Tier 8 No Bolt Down	C00304803A	C00-3048-23W	165/75	8,000/12,000	8
Tier 15 w/2 Bolts	C12304803A	C12-3048-23W	225/102	15,000/22,500	15
Tier 15 No Bolt Down	C02304803A	C02-3048-23W	225/102	15,000/22,500	15
Tier 22 w/2 Bolts	C16304803A	special number	225/102	22,500/33,750	22
Tier 22 No Bolt Down	C06304803A	special number	225/102	22,500/33,750	22
No Bolts w/4x6 Meter Lid (Over 90)	C08304803C	C00-3048-23WC	170/77	5,000/7,500	5
Bolts w/4x6 Meter Lid (Over 90)	C18304803C	C10-3048-23WC	170/77	5,000/7,500	5
No Bolts w/4x6 Meter Lid (Under 90)	C08304803D	C00-3048-23WC	170/77	5,000/7,500	5
Bolts w/4x6 Meter Lid (Under 90)	C18304803D	C10-3048-23WC	170/77	5,000/7,500	5
No Bolts w/6x9 Meter Lid (Over 90)	C08304803E	C00-3048-23WC	170/77	5,000/7,500	5
Bolts w/6x9 Meter Lid (Over 90)	C18304803E	C10-3048-23WC	170/77	5,000/7,500	5
No Bolts w/6x9 Meter Lid (Under 90)	C08304803F	C00-3048-23WC	170/77	5,000/7,500	5
Bolts w/6x9 Meter Lid (Under 90)	C18304803F	C10-3048-23WC	170/77	5,000/7,500	5
No Bolts w/Touch Reader Hole	C00304803P	C00-3048-23WTR	165/75	8,000/12,000	8
Bolts w/Touch Reader Hole	C10304803P	C10-3048-23WTR	165/75	8,000/12,000	8
No Bolts w/6x9 Drop In Reader Lid	C08304803T	C00-3048-23WE	225/102	5,000/7,500	5
Bolts w/6x9 Drop In Reader Lid	C18304803T	C10-3048-23WE	225/102	5,000/7,500	5
No Bolts w/7x13 Drop In Reader Lid	C08304803U	C00-3048-23WE	225/102	5,000/7,500	5
Bolts w/7x13 Drop In Reader Lid	C18304803U	C10-3048-23WE	225/102	5,000/7,500	5
No Bolts w/9x15 Drop In Reader Lid	C08304803V	C00-3048-23WE	225/102	5,000/7,500	5
Bolts w/9x15 Drop In Reader Lid	C18304803V	C10-2436-23WE	225/102	5,000/7,500	5
Tier 8 w/2 Bolts (one piece)	C103048500	C10-3048-03W	165/75	8,000/12,000	8
Tier 15 w/2 Bolts (one piece)	C123048500	C12-3048-03W	225/102	15,000/22,500	15

Covers must be used with equivalent tier boxes or higher (example a Tier 15 cover may not be used with Tier 8 box). One piece cover is available upon request.

### EXTENSION (Optional Knockouts or Terminators are available)

DESCRIPTION	PART NO.	Old Catalog No.	WEIGHT# LBS./kg.	DESIGN/TEST LOAD#	ANSI TIER
Tier 8 8" Deep	E00304808A	E00-3048-08W	55/25	8,000/12,000	8
Tier 8 16" Deep	E00304816A	E00-3048-16W	100/45	8,000/12,000	8
Tier 15 8" Deep	E02304808A	E02-3048-08W	65/29	15,000/22,500	15
Tier 15 16" Deep	E02304816A	E02-3048-16W	110/50	15,000/22,500	15



# SPECIFICATIONS/DATA

## 30" X 48" FLARED WALL STYLE (NESTABLE) ASSEMBLY

BOXES (Nestable with self-aligning corrosion resistant replaceable nuts)						
DESCRIPTION	PART NO.	Old Catalog No.	DIM. A IN./mm.	WEIGHT# LBS./kg.	DESIGN/TEST LOAD#	ANSI TIER
Tier 8	B10304818A	B10-3048-18W	18/457	145/66	8,000/12,000	8
	B10304824A	B10-3048-24W	24/610	155/70	8,000/12,000	8
	B10304830A	B10-3048-30W	30/762	175/79	8,000/12,000	8
	B10304836A	B10-3048-36W	36/914	190/86	8,000/12,000	8
Tier 15	B12304818A	B12-3048-18W	18/457	150/68	15,000/22,500	15
	B12304824A	B12-3048-24W	24/610	160/73	15,000/22,500	15
	B12304830A	B12-3048-30W	30/762	180/82	15,000/22,500	15
	B12304836A	B12-3048-36W	36/914	200/91	15,000/22,500	15
Tier 22	B19304818A	special number	18/457	150/68	22,500/33,750	22
	B19304824A	special number	24/610	160/73	22,500/33,750	22
	B19304830A	special number	30/762	180/82	22,500/33,750	22
	B19304836A	special number	36/914	200/91	22,500/33,750	22
Tier 8 W/ Gasket*	B10304818G	B10-3048-18WG	18/457	145/66	8,000/12,000	8
	B10304824G	B10-3048-24WG	24/610	155/70	8,000/12,000	8
	B10304830G	B10-3048-30WG	30/762	175/79	8,000/12,000	8
	B10304836G	B10-3048-36WG	36/914	190/86	8,000/12,000	8
Tier 15 W/ Gasket*	B12304818G	B12-3048-18WG	18/457	145/66	15,000/22,500	15
	B12304824G	B12-3048-24WG	24/610	155/70	15,000/22,500	15
	B12304830G	B12-3048-30WG	30/762	175/79	15,000/22,500	15
	B12304836G	B12-3048-36WG	36/914	190/86	15,000/22,500	15
Tier 22 W/ Gasket*	B19304818G	special number	18/457	145/66	22,500/33,750	22
	B19304824G	special number	24/610	155/70	22,500/33,750	22
	B19304830G	special number	30/762	175/79	22,500/33,750	22
	B19304836G	special number	36/914	190/86	22,500/33,750	22
Tier 8 w/ Standard Mouseholes	B10304818M	B10-3048-18W	18/457	145/66	8,000/12,000	8
	B10304824M	B10-3048-24W	24/610	155/70	8,000/12,000	8
	B10304830M	B10-3048-30W	30/762	175/79	8,000/12,000	8
	B10304836M	B10-3048-36W	36/914	190/86	8,000/12,000	8
Tier 15 w/ Standard Mouseholes	B12304818M	B12-3048-18W	18/457	150/68	15,000/22,500	15
	B12304824M	B12-3048-24W	24/610	160/73	15,000/22,500	15
	B12304830M	B12-3048-30W	30/762	180/82	15,000/22,500	15
	B12304836M	B12-3048-36W	36/914	200/91	15,000/22,500	15
Tier 22 w/ Standard Mouseholes	B19304818M	special number	18/457	150/68	22,500/33,750	22
	B19304824M	special number	24/610	160/73	22,500/33,750	22
	B19304830M	special number	30/762	180/82	22,500/33,750	22
	B19304836M	special number	36/914	200/91	22,500/33,750	22

\*Gaskets reduce the inflow of fluids but do not make the enclosure water tight. One piece covers are recommended when using gaskets.

•Loadings comply with ANSI/SCTE 77 (See page 3 & 4)

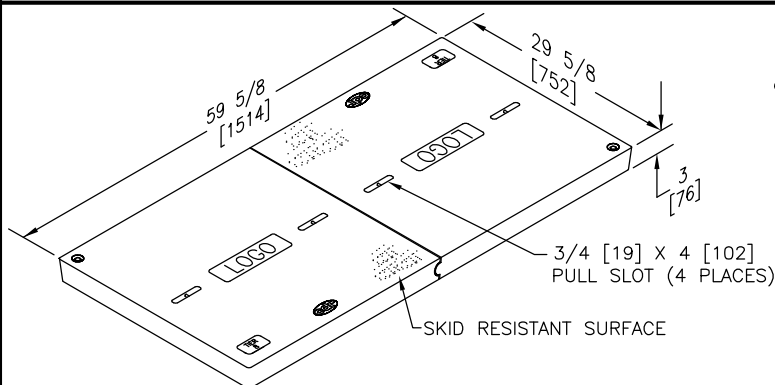


## LARGE STRAIGHT WALL ASSEMBLIES 30 X 48 THRU 36 X 72

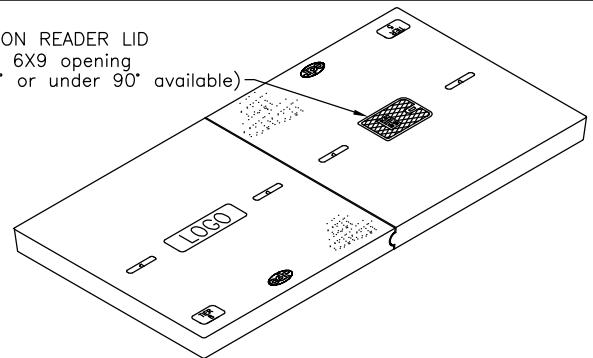
- **LIGHTWEIGHT-** Quick easy installation for LOWEST INSTALLED COST
- **HIGH STRENGTH** Special combination of polymer concrete and fiber reinforced polyester – 3 to 4 times the compressive strength of concrete and has the tensile strength of steel.
- **AVAILABLE-** Most are available in Tier 8, Tier 15 & Tier 22
- **STACKABLE-** Most Straight Wall Boxes are Stackable for extra depth as required.
- **NON-CONDUCTIVE-** And unaffected by UV light, moisture, freezing and sub soil chemicals
- **STAINLESS STEEL HARDWARE-** Non–corrosive
- **NO EXTRA CHARGE-** For standard cover logos (refer to page 142 for the most popular logos)
- **OPTIONS-** Include mouseholes, holes, knockouts, terminators, various hardware items as well as drop in and meter reading lids (see pages 143 & 144 for options)

# SPECIFICATIONS/DATA

## 30" X 60" STRAIGHT WALL STYLE (STACKABLE) ASSEMBLY



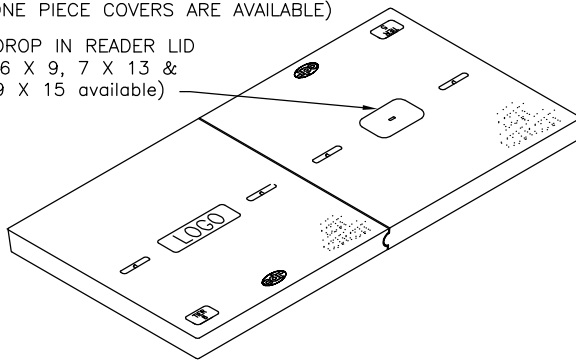
CAST IRON READER LID  
(4X6 or 6X9 opening  
over 90° or under 90° available)



**COVER W/READER LID**

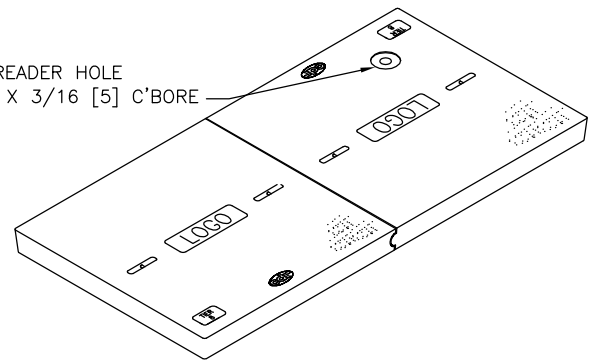
**2 PIECE COVER**  
(ONE PIECE COVERS ARE AVAILABLE)

DROP IN READER LID  
(6 X 9, 7 X 13 &  
9 X 15 available)



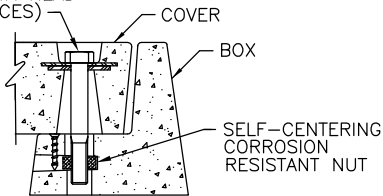
**COVER W/DROP IN READER LID**

∅2 [51] TOUCH READER HOLE  
w/∅4 1/8 [105] X 3/16 [5] C'BORE



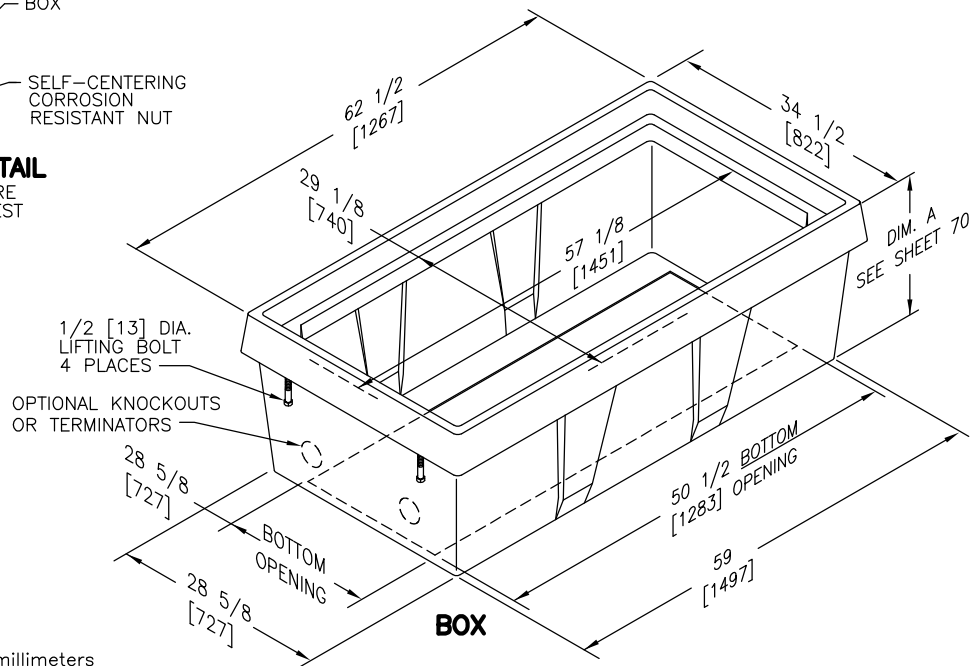
**COVER W/TOUCH READER HOLE**

1/2-13 UNC SS  
CAPTIVE PENTA HEAD  
BOLT (2 PLACES)



**CAPTIVE BOLT DETAIL**

HEX HEAD BOLTS ARE  
AVAILABLE ON REQUEST



Dimensions in brackets are in millimeters



# SPECIFICATIONS/DATA

## 30" X 60" STRAIGHT WALL STYLE ASSEMBLY

**COVERS** Bolt down covers have S.S. Captive Penta Head Bolts [Blank unless logo is specified]  
(Hex Head Bolts are available – change 2nd digit in cover part no. to "2")

DESCRIPTION	PART NO.	Old Catalog No.	WEIGHT# LBS./kg.	DESIGN/TEST LOAD#	ANSI TIER
Tier 8 w/2 Bolts	C10306003A	C10-3060-23	208/94	8,000/12,000	8
Tier 8 No Bolt Down	C00306003A	C00-3060-23	208/94	8,000/12,000	8
Tier 15 w/2 Bolts	C12306003A	C12-3060-23	268/122	15,000/22,500	15
Tier 15 No Bolt Down	C02306003A	C02-3060-23	268/122	15,000/22,500	15
Tier 22 w/2 Bolts	C16306003A	special number	268/122	22,500/33,750	22
Tier 22 No Bolt Down	C06306003A	special number	268/122	22,500/33,750	22
No Bolts w/4x6 Meter Lid (Over 90)	C08306003C	C00-3060-3C	213/97	5,000/7,500	5
Bolts w/4x6 Meter Lid (Over 90)	C18306003C	C10-3060-3C	213/97	5,000/7,500	5
No Bolts w/4x6 Meter Lid (Under 90)	C08306003D	C00-3060-3C	213/97	5,000/7,500	5
Bolts w/4x6 Meter Lid (Under 90)	C18306003D	C10-3060-3C	213/97	5,000/7,500	5
No Bolts w/6x9 Meter Lid (Over 90)	C08306003E	C00-3060-3C	213/97	5,000/7,500	5
Bolts w/6x9 Meter Lid (Over 90)	C18306003E	C10-3060-3C	213/97	5,000/7,500	5
No Bolts w/6x9 Meter Lid (Under 90)	C08306003F	C00-3060-3C	213/97	5,000/7,500	5
Bolts w/6x9 Meter Lid (Under 90)	C18306003F	C10-3060-3C	213/97	5,000/7,500	5
No Bolts w/Touch Reader Hole	C00306003P	C00-3060-3TR	213/97	8,000/12,000	8
Bolts w/Touch Reader Hole	C10306003P	C10-3060-3TR	213/97	8,000/12,000	8
No Bolts w/6x9 Drop In Reader Lid	C08306003T	C00-3060-3E	268/122	5,000/7,500	5
Bolts w/6x9 Drop In Reader Lid	C18306003T	C10-3060-3E	268/122	5,000/7,500	5
No Bolts w/7x13 Drop In Reader Lid	C08306003U	C00-3060-3E	268/122	5,000/7,500	5
Bolts w/7x13 Drop In Reader Lid	C18306003U	C10-3060-3E	268/122	5,000/7,500	5
No Bolts w/9x15 Drop In Reader Lid	C08306003V	C00-3060-3E	268/122	5,000/7,500	5
Bolts w/9x15 Drop In Reader Lid	C18306003V	C10-3060-3E	268/122	5,000/7,500	5
Tier 8 w/2 Bolts (one piece)	C103060500	C10-3060-03	208/94	8,000/12,000	8
Tier 15 w/2 Bolts (one piece)	C123060500	C12-3060-03	268/122	15,000/22,500	15

Covers must be used with equivalent tier boxes or higher (example a Tier 15 cover may not be used with Tier 8 box).  
One piece cover is available upon request.



# SPECIFICATIONS/DATA

## 30" X 60" STRAIGHT WALL STYLE (STACKABLE) ASSEMBLY

BOXES (Stackable With self-aligning corrosion resistant replaceable nuts)						
DESCRIPTION	Part No.	Old Catalog No.	DIM. A IN./mm.	WEIGHT# LBS./kg.	DESIGN/TEST LOAD#	ANSI TIER
Tier 8	B13306021A	B13-3060-21W	21/533	195/88	8,000/12,000	8
	B13306030A	B13-3060-30W	30/762	220/100	8,000/12,000	8
	B13306036A	B13-3060-36W	36/914	235/107	8,000/12,000	8
	B13306048A	B13-3060-48W	48/1219	255/116	8,000/12,000	8
Tier 15	B14306021A	B14-3060-21W	21/533	251/114	15,000/22,500	15
	B14306030A	B14-3060-30W	30/762	271/123	15,000/22,500	15
	B14306036A	B14-3060-36W	36/914	286/130	15,000/22,500	15
	B14306048A	B14-3060-48W	48/1219	306/139	15,000/22,500	15
Tier 22	B16306021A	special number	21/533	251/114	22,500/33,750	22
	B16306030A	special number	30/762	271/123	22,500/33,750	22
	B16306036A	special number	36/914	286/130	22,500/33,750	22
	B16306048A	special number	48/1219	306/139	22,500/33,750	22
Tier 8 W/ Gasket*	B13306021G	B13-3060-21WG	21/533	195/88	8,000/12,000	8
	B13306030G	B13-3060-30WG	30/762	220/100	8,000/12,000	8
	B13306036G	B13-3060-36WG	36/914	235/107	8,000/12,000	8
	B13306048G	B13-3060-48WG	48/1219	255/116	8,000/12,000	8
Tier 15 W/ Gasket*	B14306021G	B14-3060-21WG	21/533	251/114	15,000/22,500	15
	B14306030G	B14-3060-30WG	30/762	271/123	15,000/22,500	15
	B14306036G	B14-3060-36WG	36/914	286/130	15,000/22,500	15
	B14306048G	B14-3060-48WG	48/1219	306/139	15,000/22,500	15
Tier 22 W/ Gasket*	B16306021G	special number	21/533	251/114	22,500/33,750	22
	B16306030G	special number	30/762	271/123	22,500/33,750	22
	B16306036G	special number	36/914	286/130	22,500/33,750	22
	B16306048G	special number	48/1219	306/139	22,500/33,750	22
Tier 8 W/ Integral Bottom	B13306021B	B13-3060-21WB	21/533	210/95	8,000/12,000	8
	B13306030B	B13-3060-30WB	30/762	235/107	8,000/12,000	8
	B13306036B	B13-3060-36WB	36/914	250/119	8,000/12,000	8
	B13306048B	B13-3060-48WB	48/1219	270/122	8,000/12,000	8
Tier 15 W/ Integral Bottom	B14306021B	B14-3060-21WB	21/533	266/120	15,000/22,500	15
	B14306030B	B14-3060-30WB	30/762	286/130	15,000/22,500	15
	B14306036B	B14-3060-36WB	36/914	301/136	15,000/22,500	15
	B14306048B	B14-3060-48WB	48/1219	321/145	15,000/22,500	15
Tier 22 W/ Integral Bottom	B16306021B	special number	21/533	266/120	22,500/33,750	22
	B16306030B	special number	30/762	286/130	22,500/33,750	22
	B16306036B	special number	36/914	301/136	22,500/33,750	22
	B16306048B	special number	48/1219	321/145	22,500/33,750	22
Tier 8 W/ Integral Bottom & Gasket*	B133060501	B13-3060-21WBG	21/533	210/95	8,000/12,000	8
	B133060502	B13-3060-30WBG	30/762	235/107	8,000/12,000	8
	B133060503	B13-3060-36WBG	36/914	250/119	8,000/12,000	8
	B133060504	B13-3060-48WBG	48/1219	270/122	8,000/12,000	8
Tier 15 W/ Integral Bottom & Gasket*	B143060500	B14-3060-21WBG	21/533	266/120	15,000/22,500	15
	B143060501	B14-3060-30WBG	30/762	286/130	15,000/22,500	15
	B143060502	B14-3060-36WBG	36/914	301/136	15,000/22,500	15
	B143060503	B14-3060-48WBG	48/1219	321/145	15,000/22,500	15
Tier 22 W/ Integral Bottom & Gasket*	B163060500	special number	21/533	266/120	22,500/33,750	22
	B163060501	special number	30/762	286/130	22,500/33,750	22
	B163060502	special number	36/914	301/136	22,500/33,750	22
	B163060503	special number	48/1219	321/145	22,500/33,750	22

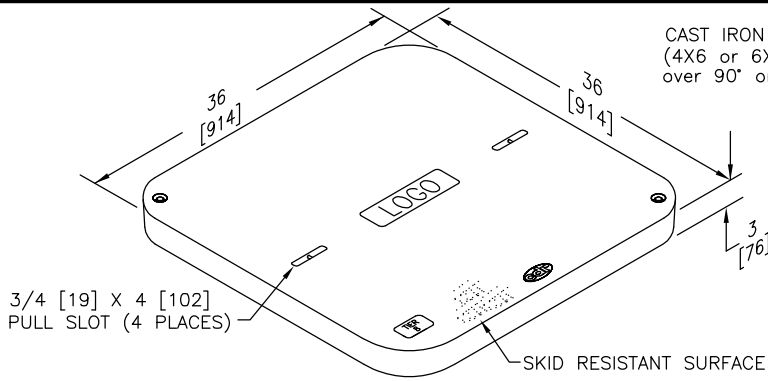
\*Gaskets reduce the inflow of fluids but do not make the enclosure water tight. One piece covers are recommended when using gaskets.

- Loadings comply with ANSI/SCTE 77 (See page 3 & 4)



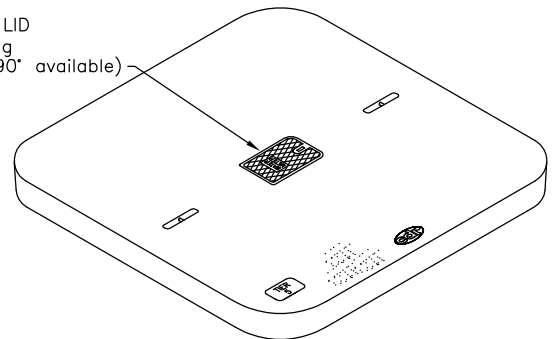
**SPECIFICATIONS/DATA**

**36" X 36" STRAIGHT WALL STYLE ASSEMBLY**



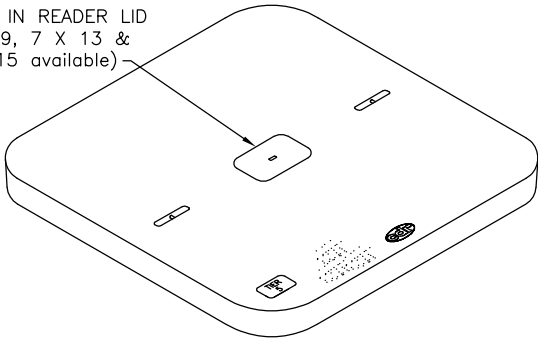
**COVER**

CAST IRON READER LID  
 (4X6 or 6X9 opening  
 over 90° or under 90° available)



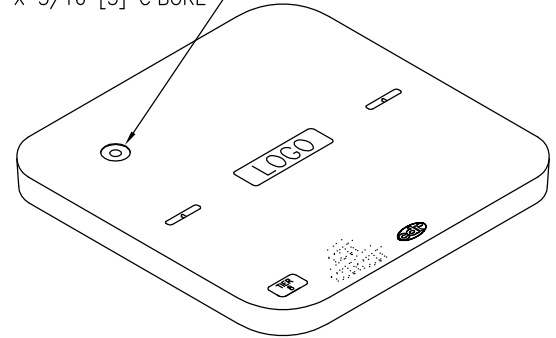
**COVER W/READER LID**

DROP IN READER LID  
 (6 X 9, 7 X 13 &  
 9 X 15 available)



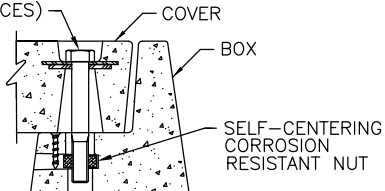
**COVER W/DROP IN READER LID**

Ø2 [51] TOUCH READER HOLE  
 w/Ø4 1/8 [105] X 3/16 [5] C'BORE



**COVER W/TOUCH READER HOLE**

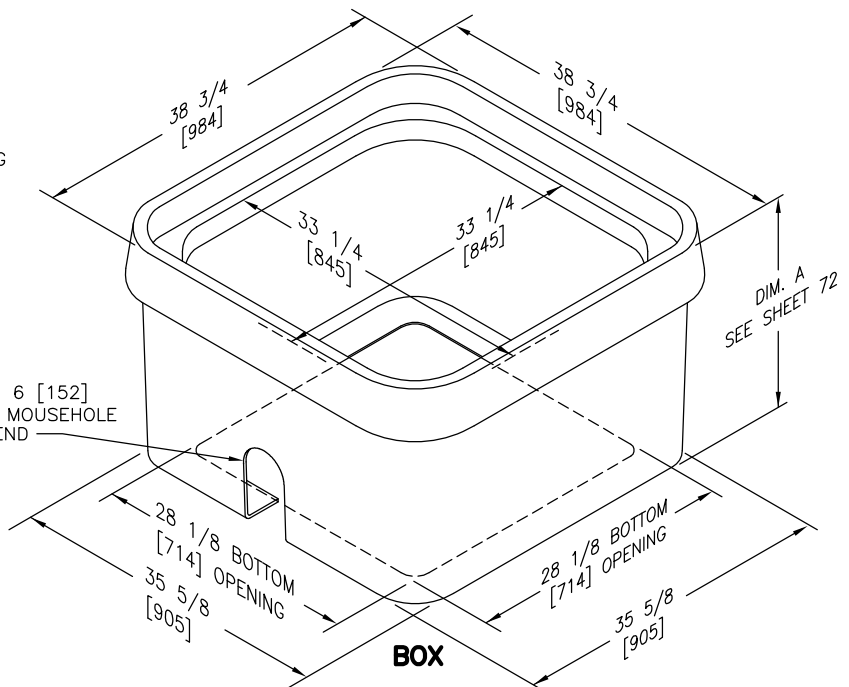
1/2-13 UNC SS  
 CAPTIVE PENTA HEAD  
 BOLT (2 PLACES)



**CAPTIVE BOLT DETAIL**

HEX HEAD BOLTS ARE  
 AVAILABLE ON REQUEST

4 [102 X 6 [152]  
 OPTIONAL MOUSEHOLE  
 1 EACH END



Dimensions in brackets are in millimeters



# SPECIFICATIONS/DATA

## 36" X 36" STRAIGHT WALL STYLE ASSEMBLY

**COVERS** Bolt down covers have S.S. Captive Penta Head Bolts [Blank unless logo is specified]  
(Hex Head Bolts are available – change 2nd digit in cover part no. to "2")

DESCRIPTION	PART NO.	Old Catalog No.	WEIGHT# LBS./kg.	DESIGN/TEST LOAD#	ANSI TIER
Tier 8 w/2 Bolts	C10363603A	C10-3636-23	140/64	8,000/12,000	8
Tier 8 No Bolt Down	C00363603A	C00-3636-23	140/64	8,000/12,000	8
Tier 15 w/2 Bolts	C12363603A	C12-3636-23	170/77	15,000/22,500	15
Tier 15 No Bolt Down	C02363603A	C02-3636-23	170/77	15,000/22,500	15
Tier 22 w/2 Bolts	C16363603A	special number	170/77	15,000/22,500	22
Tier 22 No Bolt Down	C06363603A	special number	170/77	15,000/22,500	22
No Bolts w/4x6 Meter Lid (Over 90)	C08363603C	C00-3636-3C	150/68	5,000/7,500	5
Bolts w/4x6 Meter Lid (Over 90)	C18363603C	C10-3636-3C	150/68	5,000/7,500	5
No Bolts w/4x6 Meter Lid (Under 90)	C08363603D	C00-3636-3C	150/68	5,000/7,500	5
Bolts w/4x6 Meter Lid (Under 90)	C18363603D	C10-3636-3C	150/68	5,000/7,500	5
No Bolts w/6x9 Meter Lid (Over 90)	C08363603E	C00-3636-3C	150/68	5,000/7,500	5
Bolts w/6x9 Meter Lid (Over 90)	C18363603E	C10-3636-3C	150/68	5,000/7,500	5
No Bolts w/6x9 Meter Lid (Under 90)	C08363603F	C00-3636-3C	150/68	5,000/7,500	5
Bolts w/6x9 Meter Lid (Under 90)	C18363603F	C10-3636-3C	150/68	5,000/7,500	5
No Bolts w/Touch Reader Hole	C00363603P	C00-3636-3TR	150/68	8,000/12,000	8
Bolts w/Touch Reader Hole	C10363603P	C10-3636-3TR	150/68	8,000/12,000	8
No Bolts w/6x9 Drop In Reader Lid	C08363603T	C00-3636-3E	170/77	5,000/7,500	5
Bolts w/6x9 Drop In Reader Lid	C18363603T	C10-3636-3E	170/77	5,000/7,500	5
No Bolts w/7x13 Drop In Reader Lid	C08363603U	C00-3636-3E	170/77	5,000/7,500	5
Bolts w/7x13 Drop In Reader Lid	C18363603U	C10-3636-3E	170/77	5,000/7,500	5
No Bolts w/9x15 Drop In Reader Lid	C08363603V	C00-3636-3E	170/77	5,000/7,500	5
Bolts w/9x15 Drop In Reader Lid	C18363603V	C10-3636-3E	170/77	5,000/7,500	5

Covers must be used with equivalent tier boxes or higher (example a Tier 15 cover may not be used with Tier 8 box).  
One piece cover is available upon request.

# SPECIFICATIONS/DATA

## 36" X 36" STRAIGHT WALL STYLE ASSEMBLY

BOXES (With self-aligning corrosion resistant replaceable nuts)						
DESCRIPTION	Part No.	Old Catalog No.	DIM. A IN./mm.	WEIGHT# LBS./kg.	DESIGN/TEST LOAD#	ANSI TIER
Tier 8	B13363618A	B13-3636-184	18/457	130/59	8,000/12,000	8
	B13363624A	B13-3636-24	24/610	140/64	8,000/12,000	8
	B13363630A	B13-3636-30	30/762	150/68	8,000/12,000	8
	B13306036A	B13-3636-36	36/914	160/73	8,000/12,000	8
	B13306048A	B13-3636-48	48/1219	180/82	8,000/12,000	8
Tier 15	B14363618A	B14-3636-18	18/457	140/64	15,000/22,500	15
	B14363624A	B14-3636-24	24/610	150/68	15,000/22,500	15
	B14363630A	B14-3636-30	30/762	160/73	15,000/22,500	15
	B14363636A	B14-3636-36	36/914	165/75	15,000/22,500	15
	B14363648A	B14-3636-48	48/1219	185/84	15,000/22,500	15
Tier 22	B16363618A	special number	18/457	140/64	22,500/33,750	22
	B16363624A	special number	24/610	150/68	22,500/33,750	22
	B16363630A	special number	30/762	160/73	22,500/33,750	22
	B16363636A	special number	36/914	165/75	22,500/33,750	22
	B16363648A	special number	48/1219	185/84	22,500/33,750	22
Tier 8 W/ Gasket*	B13363618G	B13-3636-18G	18/457	130/59	8,000/12,000	8
	B13363624G	B13-3636-24G	24/610	140/64	8,000/12,000	8
	B13363630G	B13-3636-30G	30/762	150/68	8,000/12,000	8
	B13363636G	B13-3636-36G	36/914	160/73	8,000/12,000	8
	B13363648G	B13-3636-48G	48/1219	180/82	8,000/12,000	8
Tier 15 W/ Gasket*	B14363618G	B14-3636-18G	18/457	140/64	15,000/22,500	15
	B14363624G	B14-3636-24G	24/610	150/68	15,000/22,500	15
	B14363630G	B14-3636-30G	30/762	160/73	15,000/22,500	15
	B14363636G	B14-3636-36G	36/914	165/75	15,000/22,500	15
	B14363648G	B14-3636-48G	48/1219	185/84	15,000/22,500	15
Tier 22 W/ Gasket*	B16363618G	special number	18/610	140/64	22,500/33,750	22
	B16363624G	special number	24/610	150/68	22,500/33,750	22
	B16363630G	special number	30/762	160/73	22,500/33,750	22
	B16363636G	special number	36/914	165/75	22,500/33,750	22
	B16363648G	special number	48/1219	185/84	22,500/33,750	22
Tier 8 W/ Integral Bottom	B13363618B	B13-3636-24B	18/457	140/64	8,000/12,000	8
	B13363624B	B13-3636-24B	24/610	150/68	8,000/12,000	8
	B13363630B	B13-3636-30B	30/762	160/73	8,000/12,000	8
	B13363636B	B13-3636-36B	36/914	170/77	8,000/12,000	8
	B13363648B	B13-3636-48B	48/1219	190/86	8,000/12,000	8
Tier 15 W/ Integral Bottom	B14363618B	B14-3636-18B	18/457	150/68	15,000/22,500	15
	B14363624B	B14-3636-24B	24/610	160/73	15,000/22,500	15
	B14363630B	B14-3636-30B	30/762	170/77	15,000/22,500	15
	B14363636B	B14-3636-36B	36/914	175/79	15,000/22,500	15
	B14363648B	B14-3636-48B	48/1219	195/88	15,000/22,500	15
Tier 22 W/ Integral Bottom	B16363618B	special number	18/457	150/68	22,500/33,750	22
	B16363624B	special number	24/610	160/73	22,500/33,750	22
	B16363630B	special number	30/762	170/77	22,500/33,750	22
	B16363636B	special number	36/914	175/79	22,500/33,750	22
	B16363648B	special number	48/1219	195/88	22,500/33,750	22
Tier 8 W/ Integral Bottom & Gasket*	B133636500	B13-3636-18BG	18/457	130/59	8,000/12,000	8
	B133636501	B13-3636-24BG	24/610	140/64	8,000/12,000	8
	B133636502	B13-3636-30BG	30/762	150/68	8,000/12,000	8
	B133636503	B13-3636-36BG	36/914	160/73	8,000/12,000	8
	B133636504	B13-3636-48BG	48/1219	180/82	8,000/12,000	8
Tier 15 W/ Integral Bottom & Gasket*	B143636501	B14-3636-18BG	18/457	140/64	15,000/22,500	15
	B143636502	B14-3636-24BG	24/610	150/68	15,000/22,500	15
	B143636503	B14-3636-30BG	30/762	160/73	15,000/22,500	15
	B143636504	B14-3636-36BG	36/914	165/75	15,000/22,500	15
	B143636505	B14-3636-48BG	48/1219	185/84	15,000/22,500	15
Tier 22 W/ Integral Bottom & Gasket*	B163636500	special number	18/610	140/64	22,500/33,750	22
	B163636501	special number	24/610	150/68	22,500/33,750	22
	B163636502	special number	30/762	160/73	22,500/33,750	22
	B163636503	special number	36/914	165/75	22,500/33,750	22
	B163636504	special number	48/1219	185/84	22,500/33,750	22
Tier 8 w/Standard Mousehol	B13363618M	B13-3636-18	18/457	130/59	8,000/12,000	8
	B13363624M	B13-3636-24	24/610	140/64	8,000/12,000	8
	B13363630M	B13-3636-30	30/762	150/68	8,000/12,000	8
	B13363636M	B13-3636-36	36/914	160/73	8,000/12,000	8
	B13363648M	B13-3636-48	48/1219	180/82	8,000/12,000	8
Tier 15 w/Standard Mousehole	B14363618M	B14-3636-18	18/457	140/64	15,000/22,500	15
	B14363624M	B14-3636-24	24/610	150/68	15,000/22,500	15
	B14363630M	B14-3636-30	30/762	160/73	15,000/22,500	15
	B14363636M	B14-3636-36	36/914	165/75	15,000/22,500	15
	B14363648M	B14-3636-48	48/1219	185/84	15,000/22,500	15
Tier 22 w/Standard Mousehole	B16363618M	special number	24/610	140/64	22,500/33,750	22
	B16363624M	special number	24/610	150/68	22,500/33,750	22
	B16363630M	special number	30/762	160/73	22,500/33,750	22
	B16363636M	special number	36/914	165/75	22,500/33,750	22
	B16363648M	special number	48/1219	185/84	22,500/33,750	22

\*Gaskets reduce the inflow of fluids but do not make the enclosure water tight.

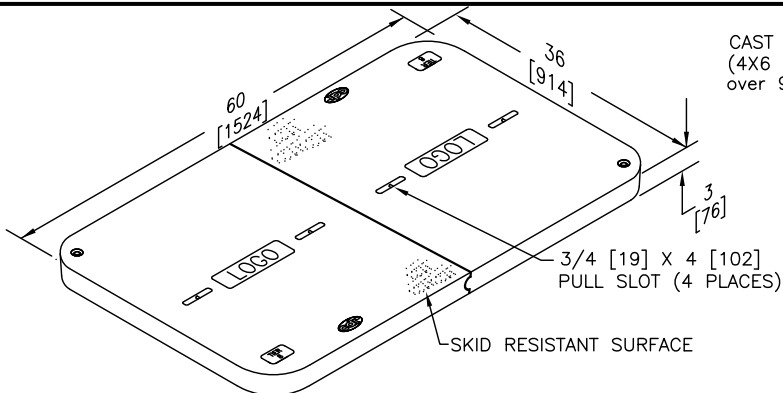
● Loadings comply with ANSI SCTE 77 See page 3 & 4





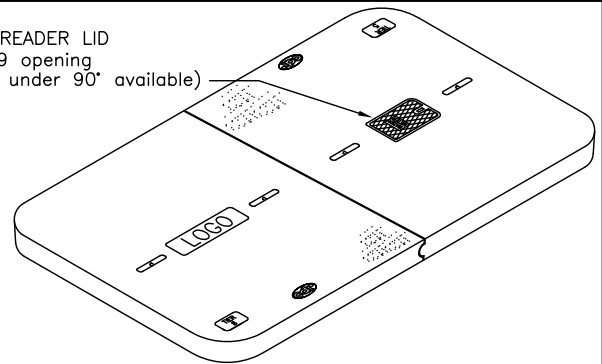
# SPECIFICATIONS/DATA

## 36" X 60" STRAIGHT WALL STYLE (STACKABLE) ASSEMBLY



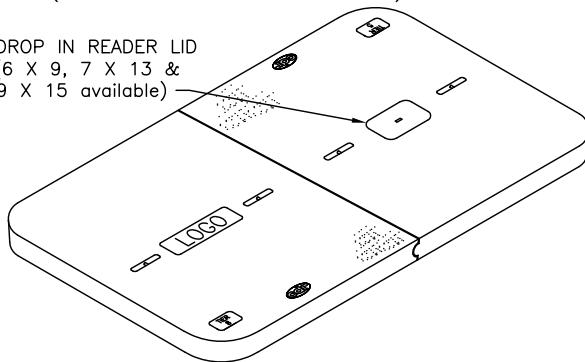
**2 PIECE COVER**  
(ONE PIECE COVERS ARE AVAILABLE)

CAST IRON READER LID  
(4X6 or 6X9 opening  
over 90° or under 90° available)



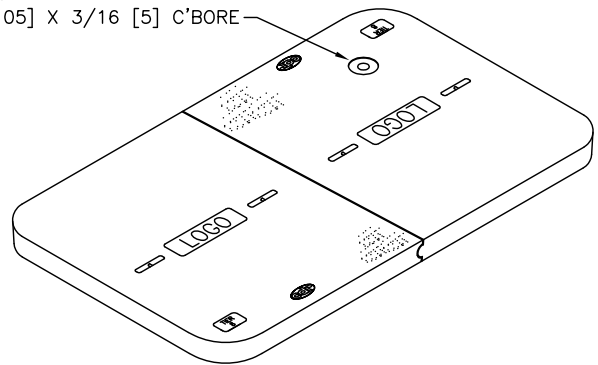
**COVER W/READER LID**

DROP IN READER LID  
(6 X 9, 7 X 13 &  
9 X 15 available)



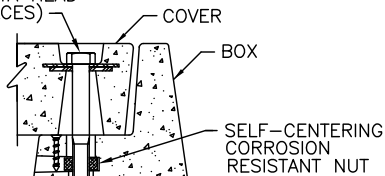
**COVER W/DROP IN READER LID**

∅2 [51] TOUCH READER HOLE  
w/∅4 1/8 [105] X 3/16 [5] C'BORE

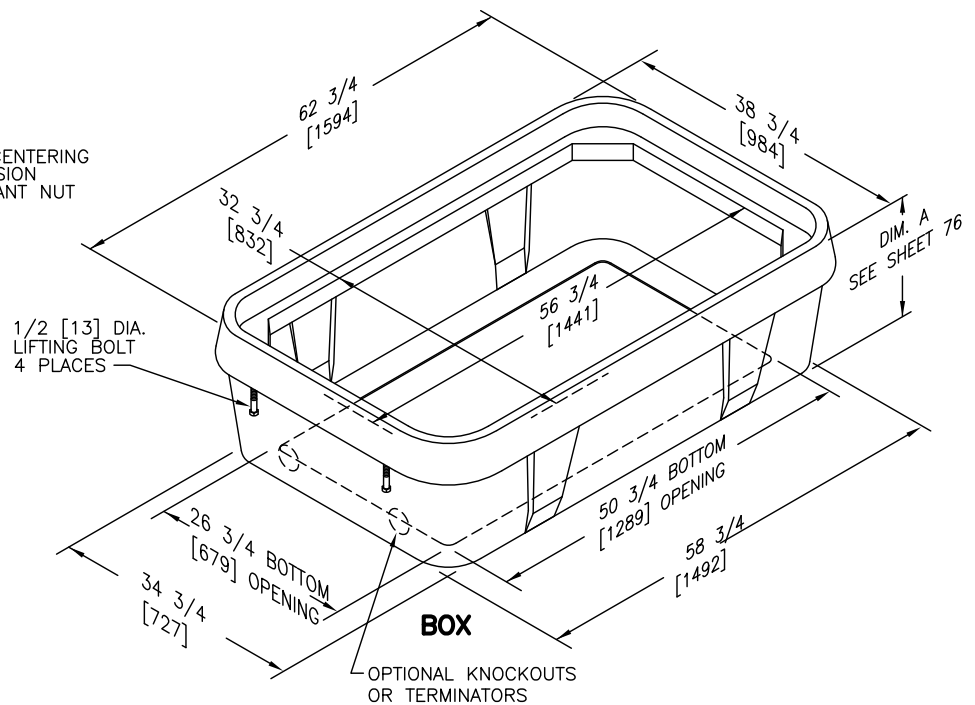


**COVER W/TOUCH READER HOLE**

1/2-13 UNC SS  
CAPTIVE PENTA HEAD  
BOLT (2 PLACES)



**CAPTIVE BOLT DETAIL**  
HEX HEAD BOLTS ARE  
AVAILABLE ON REQUEST



Dimensions in brackets are in millimeters





# SPECIFICATIONS/DATA

## 36" X 60" STRAIGHT WALL STYLE (STACKABLE) ASSEMBLY

**COVERS** Bolt down covers have S.S. Captive Penta Head Bolts [Blank unless logo is specified]  
(Hex Head Bolts are available – change 2nd digit in cover part no. to "2")

DESCRIPTION	PART NO.	Old Catalog No.	WEIGHT# LBS./kg.	DESIGN/TEST LOAD#	ANSI TIER
Tier 8 w/2 Bolts	C103660500	C10-3660-23W	273/124	8,000/12,000	8
Tier 8 No Bolt Down	C003660500	C00-3660-23W	273/124	8,000/12,000	8
Tier 15 w/2 Bolts	C123660500	C12-3660-23W	333/122	15,000/22,500	15
Tier 15 No Bolt Down	C023660500	C02-3660-23W	333/122	15,000/22,500	15
Tier 22 w/2 Bolts	C163660500	special number	333/122	22,500/33,750	22
Tier 22 No Bolt Down	C063660500	special number	333/122	22,500/33,750	22
No Bolts w/4x6 Meter Lid (Over 90)	C083660500	C00-3660-23WC	283/128	5,000/7,500	5
Bolts w/4x6 Meter Lid (Over 90)	C183660502	C10-3660-23WC	283/128	5,000/7,500	5
No Bolts w/4x6 Meter Lid (Under 90)	C083660501	C00-3660-23WC	283/128	5,000/7,500	5
Bolts w/4x6 Meter Lid (Under 90)	C183660503	C10-3660-23WC	283/128	5,000/7,500	5
No Bolts w/6x9 Meter Lid (Over 90)	C083660502	C00-3660-23WC	283/128	5,000/7,500	5
Bolts w/6x9 Meter Lid (Over 90)	C183660504	C10-3660-23WC	283/128	5,000/7,500	5
No Bolts w/6x9 Meter Lid (Under 90)	C083660503	C00-3660-23WC	283/128	5,000/7,500	5
Bolts w/6x9 Meter Lid (Under 90)	C183660505	C10-3660-23WC	283/128	5,000/7,500	5
No Bolts w/Touch Reader Hole	C003660501	C00-3660-23WTR	273/124	8,000/12,000	8
Bolts w/Touch Reader Hole	C103660502	C10-3660-23WTR	273/124	8,000/12,000	8
No Bolts w/6x9 Drop In Reader Lid	C083660504	C00-3660-23WE	333/122	5,000/7,500	5
Bolts w/6x9 Drop In Reader Lid	C183660506	C10-3660-23WE	333/122	5,000/7,500	5
No Bolts w/7x13 Drop In Reader Lid	C083660505	C00-3660-23WE	333/122	5,000/7,500	5
Bolts w/7x13 Drop In Reader Lid	C183660507	C10-3660-23WE	333/122	5,000/7,500	5
No Bolts w/9x15 Drop In Reader Lid	C083660506	C00-3660-23WE	333/122	5,000/7,500	5
Bolts w/9x15 Drop In Reader Lid	C183660508	C10-3660-23WE	333/122	5,000/7,500	5
Tier 8 w/2 Bolts (one piece)	C103660501	C10-3660-03W	273/124	8,000/12,000	8
Tier 15 w/2 Bolts (one piece)	C123660501	C12-3660-03W	333/122	15,000/22,500	15

Covers must be used with equivalent tier boxes or higher (example a Tier 15 cover may not be used with Tier 8 box).  
One piece cover is available upon request.



# SPECIFICATIONS/DATA

## 36" X 60" STRAIGHT WALL STYLE (STACKABLE) ASSEMBLY

BOXES (Stackable with self-aligning corrosion resistant replaceable nuts)						
DESCRIPTION	Part No.	Old Catalog No.	DIM. A IN./mm.	WEIGHT# LBS./kg.	DESIGN/TEST LOAD#	ANSI TIER
Tier 8	B13366018A	B13-3660-18W	18/457	212/96	8,000/12,000	8
	B13366024A	B13-3660-24W	24/610	222/101	8,000/12,000	8
	B13366030A	B13-3660-30W	30/762	236/107	8,000/12,000	8
	B13366036A	B13-3660-36W	36/914	260/118	8,000/12,000	8
	B13366048A	B13-3660-48W	48/1219	308/140	8,000/12,000	8
Tier 15	B14366018A	B14-3660-18W	18/457	237/108	15,000/22,500	15
	B14366024A	B14-3660-24W	24/610	247/112	15,000/22,500	15
	B14366030A	B14-3660-30W	30/762	261/118	15,000/22,500	15
	B14366036A	B14-3660-36W	36/914	285/129	15,000/22,500	15
	B14366048A	B14-3660-48W	48/1219	333/151	15,000/22,500	15
Tier 22	B16366018A	special number	18/457	237/108	22,500/33,750	22
	B16366024A	special number	24/610	247/112	22,500/33,750	22
	B16366030A	special number	30/762	261/118	22,500/33,750	22
	B16366036A	special number	36/914	285/129	22,500/33,750	22
	B16366048A	special number	48/1219	333/151	22,500/33,750	22
Tier 8 W/ Gasket*	B13366018G	B13-3660-18WG	18/457	212/96	8,000/12,000	8
	B13366024G	B13-3660-24WG	24/610	222/101	8,000/12,000	8
	B13366030G	B13-3660-30WG	30/762	236/107	8,000/12,000	8
	B13366036G	B13-3660-36WG	36/914	260/118	8,000/12,000	8
	B13366048G	B13-3660-48WG	48/1219	308/140	8,000/12,000	8
Tier 15 W/ Gasket*	B14366018G	B14-3660-18WG	18/457	237/108	15,000/22,500	15
	B14366024G	B14-3660-24WG	24/610	247/112	15,000/22,500	15
	B14366030G	B14-3660-30WG	30/762	261/118	15,000/22,500	15
	B14366036G	B14-3660-36WG	36/914	285/129	15,000/22,500	15
	B14366048G	B14-3660-48WG	48/1219	333/151	15,000/22,500	15
Tier 22 W/ Gasket*	B16366018G	special number	18/457	237/108	22,500/33,750	22
	B16366024G	special number	24/610	247/112	22,500/33,750	22
	B16366030G	special number	30/762	261/118	22,500/33,750	22
	B16366036G	special number	36/914	285/129	22,500/33,750	22
	B16366048G	special number	48/1219	333/151	22,500/33,750	22
Tier 8 W/ Integral Bottom	B13366018B	B13-3660-18WB	18/457	230/104	8,000/12,000	8
	B13366024B	B13-3660-24WB	24/610	240/108	8,000/12,000	8
	B13366030B	B13-3660-30WB	30/762	254/115	8,000/12,000	8
	B13366036B	B13-3660-36WB	36/914	278/268	8,000/12,000	8
	B13366048B	B13-3660-48WB	48/1219	326/149	8,000/12,000	8
Tier 15 W/ Integral Bottom	B14366018B	B14-3660-18WB	18/457	255/116	15,000/22,500	15
	B14366024B	B14-3660-24WB	24/610	265/120	15,000/22,500	15
	B14366030B	B14-3660-30WB	30/762	279/127	15,000/22,500	15
	B14366036B	B14-3660-36WB	36/914	303/137	15,000/22,500	15
	B14366048B	B14-3660-48WB	48/1219	351/159	15,000/22,500	15
Tier 22 W/ Integral Bottom	B16366018B	special number	18/457	255/116	22,500/33,750	22
	B16366024B	special number	24/610	265/120	22,500/33,750	22
	B16366030B	special number	30/762	279/127	22,500/33,750	22
	B16366036B	special number	36/914	303/137	22,500/33,750	22
	B16366048B	special number	48/1219	351/159	22,500/33,750	22
Tier 8 W/ Integral Bottom & Gasket*	B133660500	B13-3660-18WBG	18/457	230/104	8,000/12,000	8
	B133660501	B13-3660-24WBG	24/610	240/108	8,000/12,000	8
	B133660502	B13-3660-30WBG	30/762	254/115	8,000/12,000	8
	B133660503	B13-3660-36WBG	36/914	278/268	8,000/12,000	8
	B133660504	B13-3660-48WBG	48/1219	326/149	8,000/12,000	8
Tier 15 W/ Integral Bottom & Gasket*	B143660500	B14-3660-18WBG	18/457	255/116	15,000/22,500	15
	B143660501	B14-3660-24WBG	24/610	265/120	15,000/22,500	15
	B143660502	B14-3660-30WBG	30/762	279/127	15,000/22,500	15
	B143660503	B14-3660-36WBG	36/914	303/137	15,000/22,500	15
	B143660504	B14-3660-48WBG	48/1219	351/159	15,000/22,500	15
Tier 22 W/ Integral Bottom & Gasket*	B163660500	special number	18/457	255/116	22,500/33,750	22
	B163660501	special number	24/610	265/120	22,500/33,750	22
	B163660502	special number	30/762	279/127	22,500/33,750	22
	B163660503	special number	36/914	303/137	22,500/33,750	22
	B163660504	special number	48/1219	351/159	22,500/33,750	22

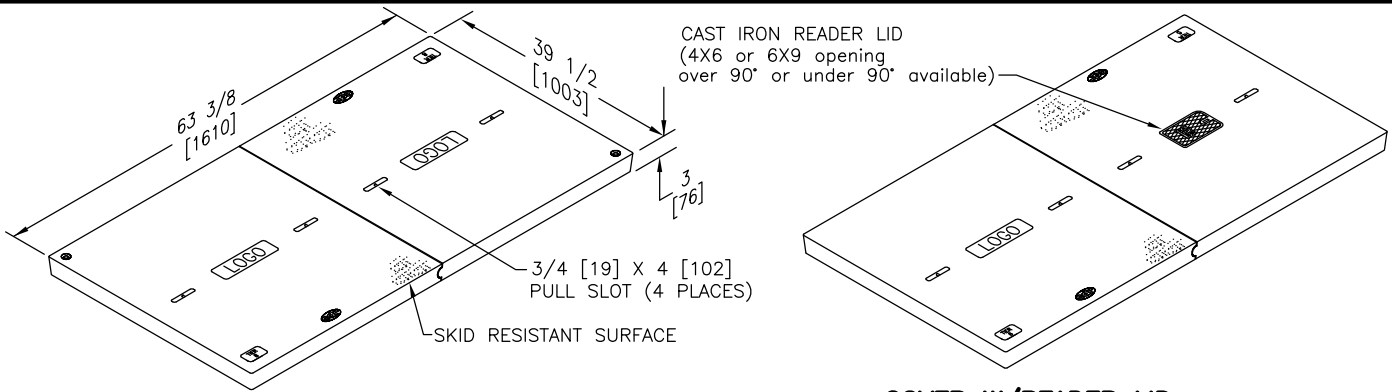
\*Gaskets reduce the inflow of fluids but do not make the enclosure water tight. One piece covers are recommended when using gaskets.

• Loadings comply with ANSI/SCTE 77 (See page 3 & 4)



# SPECIFICATIONS/DATA

## 36" X 72" STRAIGHT WALL STYLE (STACKABLE) ASSEMBLY

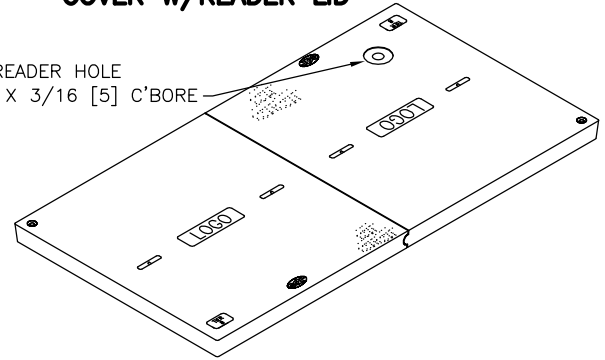
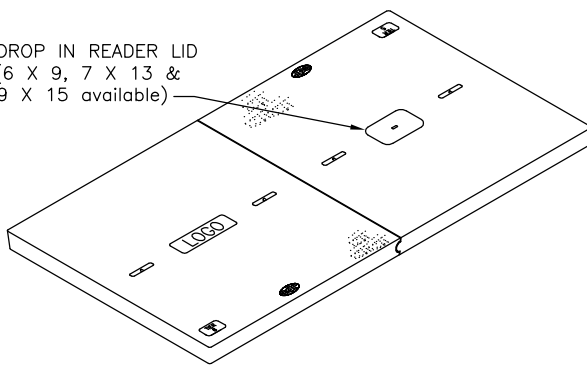


**2 PIECE COVER**  
(ONE PIECE COVERS ARE AVAILABLE)

**COVER W/READER LID**

DROP IN READER LID  
(6 X 9, 7 X 13 &  
9 X 15 available)

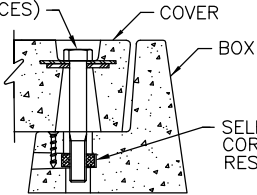
Ø2 [51] TOUCH READER HOLE  
w/Ø4 1/8 [105] X 3/16 [5] C'BORE



**COVER W/TOUCH READER HOLE**

**COVER W/DROP IN READER LID**

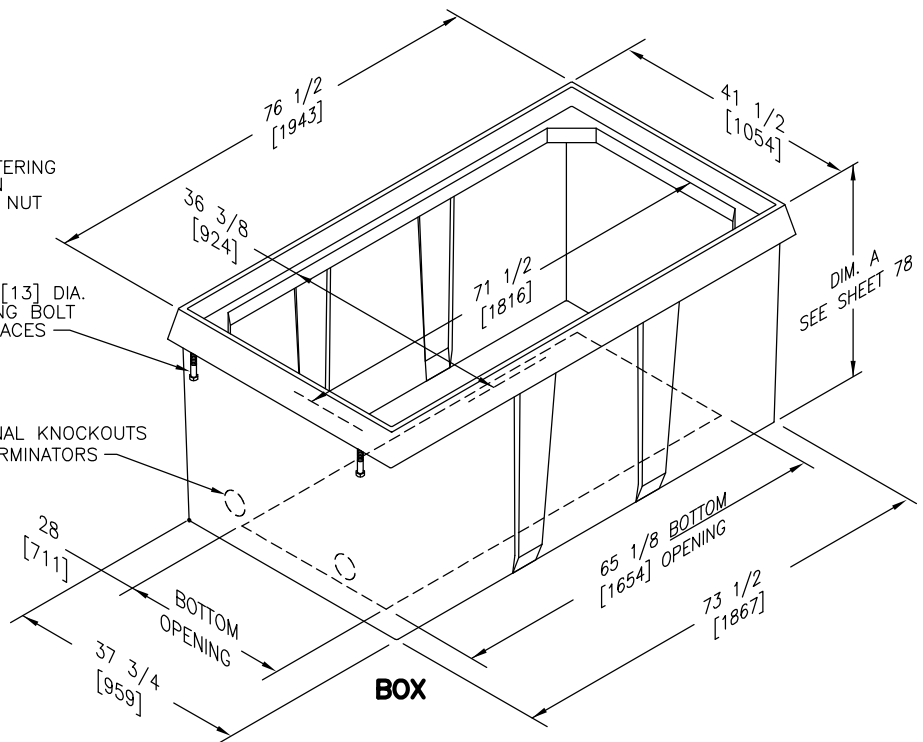
1/2-13 UNC SS  
CAPTIVE PENTA HEAD  
BOLT (2 PLACES)



**CAPTIVE BOLT DETAIL**  
HEX HEAD BOLTS ARE  
AVAILABLE ON REQUEST

1/2 [13] DIA.  
LIFTING BOLT  
4 PLACES

OPTIONAL KNOCKOUTS  
OR TERMINATORS



Dimensions in brackets are in millimeters

# SPECIFICATIONS/DATA

## 36" X 72" STRAIGHT WALL STYLE (STACKABLE) ASSEMBLY

**COVERS** Bolt down covers have S.S. Captive Penta Head Bolts [Blank unless logo is specified] (Hex Head Bolts are available – change 2nd digit in cover part no. to "2")

DESCRIPTION	PART NO.	Old Catalog No.	WEIGHT# LBS./kg.	DESIGN/TEST LOAD#	ANSI TIER
Tier 8 w/2 Bolts	C10367203A	C10-3672-23	275/125	8,000/12,000	8
Tier 8 No Bolt Down	C00367203A	C00-3672-23	275/125	8,000/12,000	8
Tier 15 w/2 Bolts	C12367203A	C12-3672-23	355/161	15,000/22,500	15
Tier 15 No Bolt Down	C02367203A	C02-3672-23	355/161	15,000/22,500	15
Tier 22 w/2 Bolts	C16367203A	special number	355/161	22,500/33,750	22
Tier 22 No Bolt Down	C06367203A	special number	355/161	22,500/33,750	22
No Bolts w/4x6 Meter Lid (Over 90)	C08367203C	C00-3672-23C	285/129	5,000/7,500	5
Bolts w/4x6 Meter Lid (Over 90)	C18367203C	C10-3672-23C	285/129	5,000/7,500	5
No Bolts w/4x6 Meter Lid (Under 90)	C08367203D	C00-3672-23C	285/129	5,000/7,500	5
Bolts w/4x6 Meter Lid (Under 90)	C18367203D	C10-3672-23C	285/129	5,000/7,500	5
No Bolts w/6x9 Meter Lid (Over 90)	C08367203E	C00-3672-23C	285/129	5,000/7,500	5
Bolts w/6x9 Meter Lid (Over 90)	C18367203E	C10-3672-23C	285/129	5,000/7,500	5
No Bolts w/6x9 Meter Lid (Under 90)	C08367203F	C00-3672-23C	285/129	5,000/7,500	5
Bolts w/6x9 Meter Lid (Under 90)	C18367203F	C10-3672-23C	285/129	5,000/7,500	5
No Bolts w/Touch Reader Hole	C00367203P	C00-3672-23TR	275/125	8,000/12,000	8
Bolts w/Touch Reader Hole	C10367203P	C10-3672-23TR	275/125	8,000/12,000	8
No Bolts w/6x9 Drop In Reader Lid	C08367203T	C00-3672-23E	355/161	5,000/7,500	5
Bolts w/6x9 Drop In Reader Lid	C18367203T	C10-3672-23E	355/161	5,000/7,500	5
No Bolts w/7x13 Drop In Reader Lid	C08367203U	C00-3672-23E	355/161	5,000/7,500	5
Bolts w/7x13 Drop In Reader Lid	C18367203U	C10-3672-23E	355/161	5,000/7,500	5
No Bolts w/9x15 Drop In Reader Lid	C08367203V	C00-3672-23E	355/161	5,000/7,500	5
Bolts w/9x15 Drop In Reader Lid	C18367203V	C10-3672-23E	355/161	5,000/7,500	5

Covers must be used with equivalent tier boxes or higher (example a Tier 15 cover may not be used with Tier 8 box). One piece cover is available upon request.

**BOXES** (Stackable with self-aligning corrosion resistant replaceable nuts)

DESCRIPTION	Part No.	Old Catalog No.	DIM. A IN./mm.	WEIGHT# LBS./kg.	DESIGN/TEST LOAD#	ANSI TIER
Tier 8	B13367236A	B13-3672-36W	36/914	326/118	8,000/12,000	8
	B13367248A	B13-3672-48W	48/1219	382/140	8,000/12,000	8
Tier 15	B14367236A	B14-3672-36W	36/914	346/129	15,000/22,500	15
	B14367248A	B14-3672-48W	48/1219	402/151	15,000/22,500	15
Tier 22	B16367236A	special number	36/914	346/129	22,500/33,750	22
	B16367248A	special number	48/1219	402/151	22,500/33,750	22
Tier 8 W/ Integral Bottom	B13367236B	B13-3672-36WB	36/914	366/166	8,000/12,000	8
	B13367248B	B13-3672-48WB	48/1219	422/191	8,000/12,000	8
Tier 15 W/ Integral Bottom	B14367236B	B14-3672-36WB	36/914	386/175	15,000/22,500	15
	B14367248B	B14-3672-48WB	48/1219	442/200	15,000/22,500	15
Tier 22 W/ Integral Bottom	B16367236B	special number	36/914	386/175	22,500/33,750	22
	B16367248B	special number	48/1219	442/200	22,500/33,750	22

- Loadings comply with ANSI/SCTE 77 (See page 3 & 4)

## CORRUGATED WALL ASSEMBLIES 30 X 48 THRU 96 X 96

- **LIGHTWEIGHT-** Quick easy installation for LOWEST INSTALLED COST
- **HIGH STRENGTH** Special combination of polymer concrete and fiber reinforced polyester – 3 to 4 times the compressive strength of concrete and has the tensile strength of steel.
- **AVAILABLE-** Most are available in Tier 8, Tier 15 & Tier 22
- **INTEGRAL or SEPERATE BOTTOMS AVAILABLE-** When a solid bottom is the preferred option
- **CORRUGATED WALLS-** For superior strength and durability
- **ADJUST TO GRADE OPTION-** See page 80
- **BOTTOM EXTENSIONS-** Available for extra depth
- **NON-CONDUCTIVE-** And unaffected by UV light, moisture, freezing and sub soil chemicals
- **STAINLESS STEEL HARDWARE-** Non–corrosive
- **NO EXTRA CHARGE-** For standard cover logos (refer to page 142 for the most popular logos)
- **OPTIONS-** Include knockouts, terminators, racking and pulleys  
Please specify your requirements

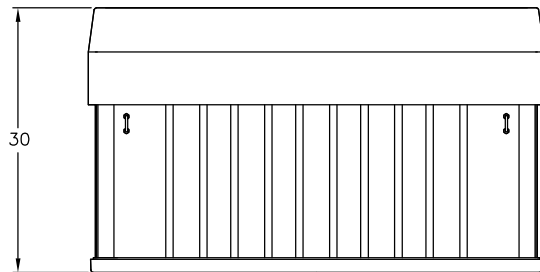


# SPECIFICATIONS/DATA

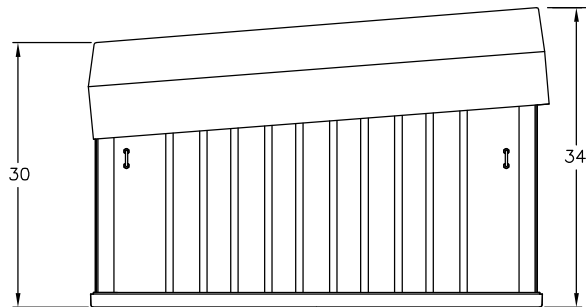
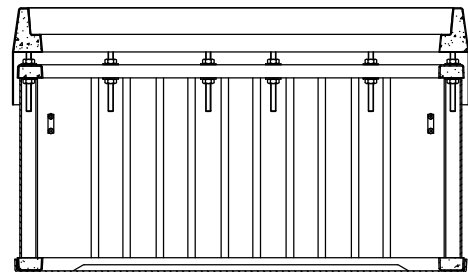
## ADJUST-TO-GRADE OPTION

### ADJUST-TO-GRADE (ATG) BOXES

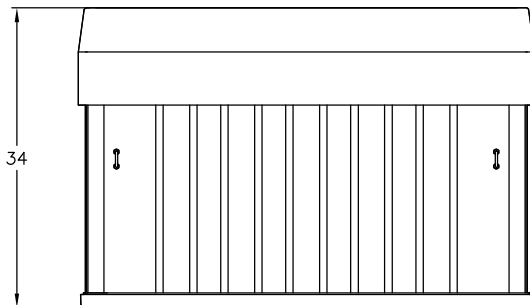
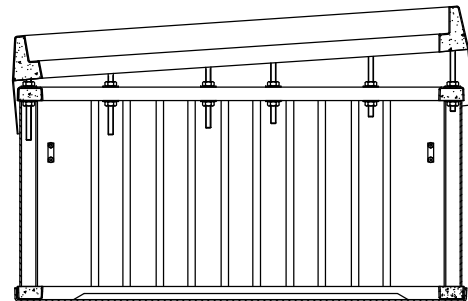
- 30" DEEP BOX USED FOR ILLUSTRATION
- ADJUST-TO-GRADE AVAILABLE IN CORRUGATED WALL ASSEMBLIES 30 X 48 AND LARGER (30, 36 & 48 DEEP MAY BE MADE AS ADJUST-TO-GRADE BY REPLACING B WITH LETTER G - EXAMPLE: G1A304830A).
- TILTING TO 4 INCHES CAN BE MADE IN MINUTES. NO GROUTING NECESSARY AND ADJUSTMENTS CAN BE MADE DURING INSTALLATION OR AT ANY TIME AFTERWARDS.
- IDEAL WHEN FINAL GRADE IS NOT KNOWN AT THE TIME OF INSTALLATION OR DURING REPAVING.



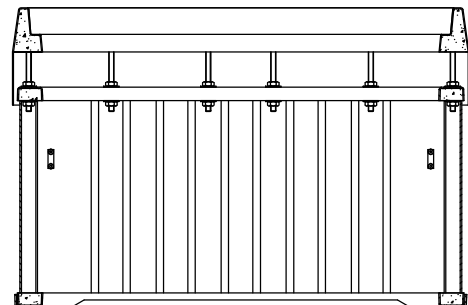
COLLAR DOWN



COLLAR AT FULL ANGLE

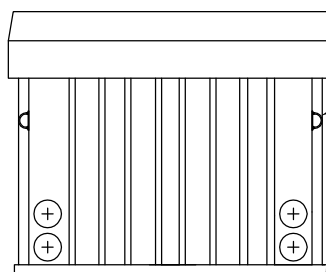


COLLAR UP

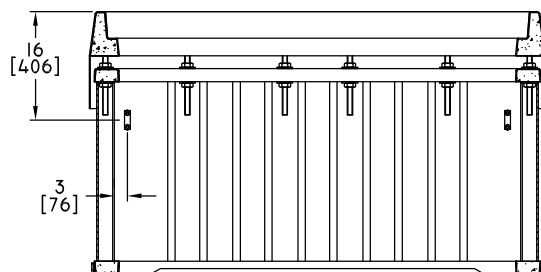


ELEVATIONS

SECTIONS

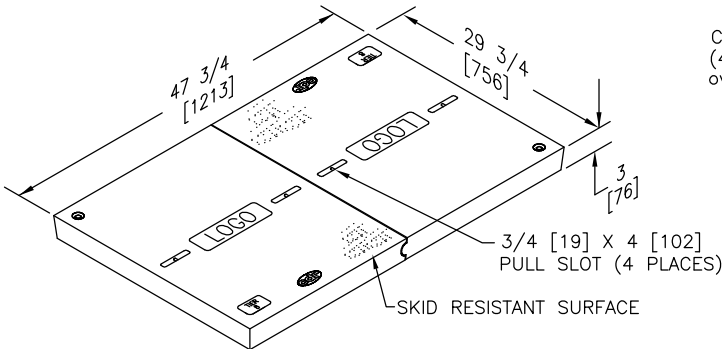


U-BOLTS for Lifting Purposes 4 places



# SPECIFICATIONS/DATA

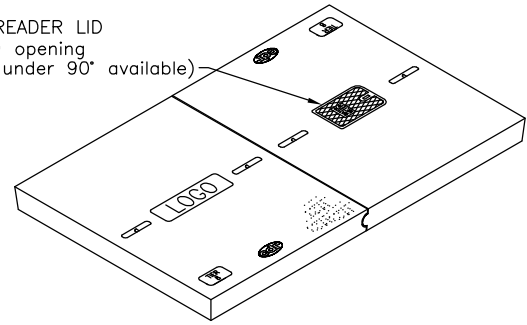
## 30" X 48" CORRUGATED WALL STYLE ASSEMBLY



### 2 PIECE COVER

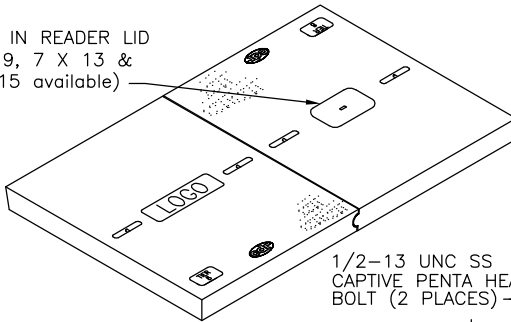
(ONE PIECE COVERS ARE AVAILABLE)

CAST IRON READER LID  
(4X6 or 6X9 opening  
over 90° or under 90° available)



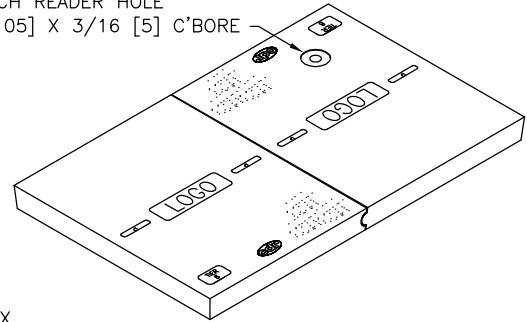
### COVER W/READER LID

DROP IN READER LID  
(6 X 9, 7 X 13 &  
9 X 15 available)



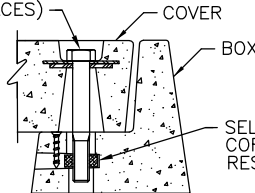
### COVER W/DROP IN READER LID

Ø2 [51] TOUCH READER HOLE  
w/Ø4 1/8 [105] X 3/16 [5] C'BORE



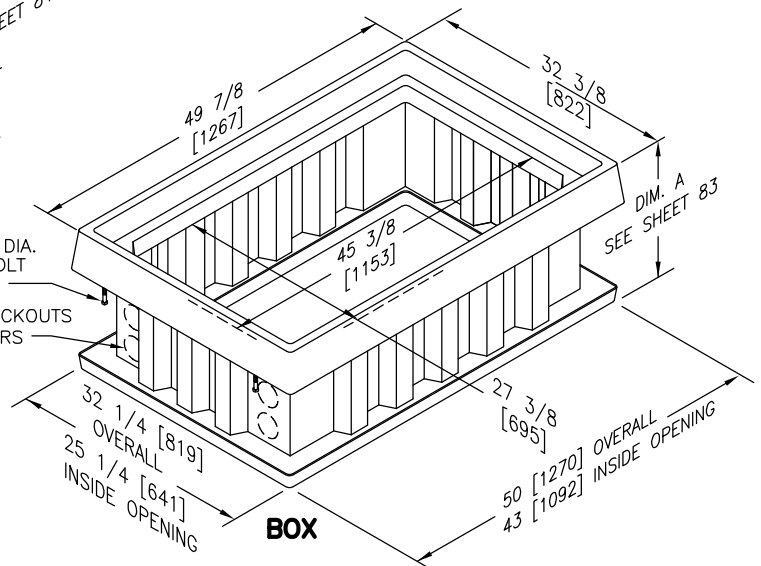
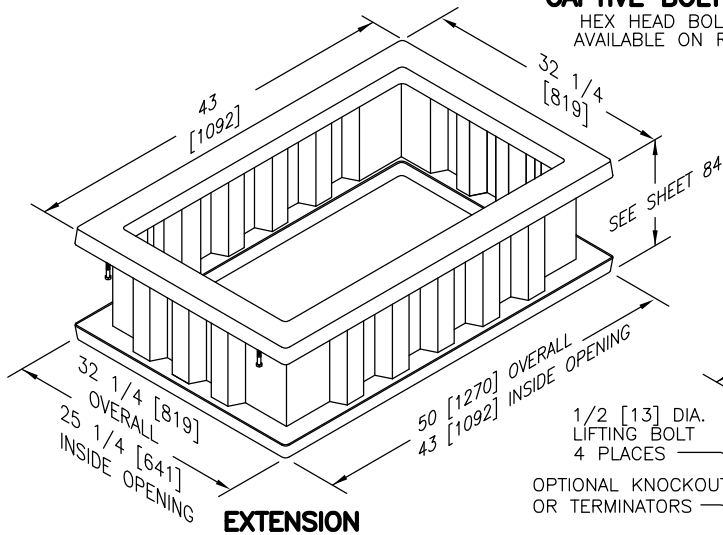
### COVER W/TOUCH READER HOLE

1/2-13 UNC SS  
CAPTIVE PENTA HEAD  
BOLT (2 PLACES)



### CAPTIVE BOLT DETAIL

HEX HEAD BOLTS ARE  
AVAILABLE ON REQUEST



1/2 [13] DIA.  
LIFTING BOLT  
4 PLACES  
OPTIONAL KNOCKOUTS  
OR TERMINATORS

Dimensions in brackets are in millimeters

# SPECIFICATIONS/DATA

## 30" X 48" CORRUGATED WALL STYLE ASSEMBLY

**COVERS** Bolt down covers have S.S. Captive Penta Head Bolts [Blank unless logo is specified]  
 (Hex Head Bolts are available – change 2nd digit in cover part no. to "2")

DESCRIPTION	PART NO.	Old Catalog No.	WEIGHT# LBS./kg.	DESIGN/TEST LOAD#	ANSI TIER
Tier 8 w/2 Bolts	C10304803A	C10-3048-23	165/75	8,000/12,000	8
Tier 8 No Bolt Down	C00304803A	C00-3048-23	165/75	8,000/12,000	8
Tier 15 w/2 Bolts	C12304803A	C12-3048-23	225/102	15,000/22,500	15
Tier 15 No Bolt Down	C02304803A	C02-3048-23	225/102	15,000/22,500	15
Tier 22 w/2 Bolts	C16304803A	special number	225/102	22,500/33,750	22
Tier 22 No Bolt Down	C06304803A	special number	225/102	22,500/33,750	22
No Bolts w/4x6 Meter Lid (Over 90)	C08304803C	C00-3048-3C	170/77	5,000/7,500	5
Bolts w/4x6 Meter Lid (Over 90)	C18304803C	C10-3048-3C	170/77	5,000/7,500	5
No Bolts w/4x6 Meter Lid (Under 90)	C08304803D	C00-3048-3C	170/77	5,000/7,500	5
Bolts w/4x6 Meter Lid (Under 90)	C18304803D	C10-3048-3C	170/77	5,000/7,500	5
No Bolts w/6x9 Meter Lid (Over 90)	C08304803E	C00-3048-3C	170/77	5,000/7,500	5
Bolts w/6x9 Meter Lid (Over 90)	C18304803E	C10-3048-3C	170/77	5,000/7,500	5
No Bolts w/6x9 Meter Lid (Under 90)	C08304803F	C00-3048-3C	170/77	5,000/7,500	5
Bolts w/6x9 Meter Lid (Under 90)	C18304803F	C10-3048-3C	170/77	5,000/7,500	5
No Bolts w/Touch Reader Hole	C00304803P	C00-3048-3TR	165/75	8,000/12,000	8
Bolts w/Touch Reader Hole	C10304803P	C10-3048-3TR	165/75	8,000/12,000	8
No Bolts w/6x9 Drop In Reader Lid	C08304803T	C00-3048-3E	225/102	5,000/7,500	5
Bolts w/6x9 Drop In Reader Lid	C18304803T	C10-3048-3E	225/102	5,000/7,500	5
No Bolts w/7x13 Drop In Reader Lid	C08304803U	C00-3048-3E	225/102	5,000/7,500	5
Bolts w/7x13 Drop In Reader Lid	C18304803U	C10-3048-3E	225/102	5,000/7,500	5
No Bolts w/9x15 Drop In Reader Lid	C08304803V	C00-3048-3E	225/102	5,000/7,500	5
Bolts w/9x15 Drop In Reader Lid	C18304803V	C10-3048-3E	225/102	5,000/7,500	5
Tier 8 w/2 Bolts (one piece)	C103048502	C10-3048-03	165/75	8,000/12,000	8
Tier 15 w/2 Bolts (one piece)	C123048502	C12-3048-03	165/75	8,000/12,000	8

Covers must be used with equivalent tier boxes or higher (example a Tier 15 cover may not be used with Tier 8 box). One piece cover is available upon request.





# SPECIFICATIONS/DATA

## 30" X 48" CORRUGATED WALL STYLE ASSEMBLY

BOXES (With self-aligning corrosion resistant replaceable nuts)						
DESCRIPTION	Part No.	Old Catalog No.	DIM. A IN./mm.	WEIGHT# LBS./kg.	DESIGN/TEST LOAD#	ANSI TIER
Tier 8	B1A304818A	B10-3048-18	18/457	190/86	8,000/12,000	8
	B1A304824A	B10-3048-24	24/610	199/90	8,000/12,000	8
	B1A304830A	B10-3048-30	30/762	209/95	8,000/12,000	8
	B1A304836A	B10-3048-36	36/914	218/99	8,000/12,000	8
	B1A304848A	B10-3048-48	48/1219	236/107	8,000/12,000	8
Tier 15	B1B304818A	B12-3048-18	18/457	190/86	15,000/22,500	15
	B1B304824A	B12-3048-24	24/610	199/90	15,000/22,500	15
	B1B304830A	B12-3048-30	30/762	209/95	15,000/22,500	15
	B1B304836A	B12-3048-36	36/914	218/99	15,000/22,500	15
	B1B304848A	B12-3048-48	48/1219	236/107	15,000/22,500	15
Tier 22	B1C304818A	special number	18/457	190/86	22,500/33,750	22
	B1C304824A	special number	24/610	199/90	22,500/33,750	22
	B1C304830A	special number	30/762	209/95	22,500/33,750	22
	B1C304836A	special number	36/914	218/99	22,500/33,750	22
	B1C304848A	special number	48/1219	236/107	22,500/33,750	22
Tier 8 W/ Gasket*	B1A304818G	B10-3048-18G	18/457	190/86	8,000/12,000	8
	B1A304824G	B10-3048-24G	24/610	199/90	8,000/12,000	8
	B1A304830G	B10-3048-30G	30/762	209/95	8,000/12,000	8
	B1A304836G	B10-3048-36G	36/914	218/99	8,000/12,000	8
	B1A304848G	B10-3048-48G	48/1219	236/107	8,000/12,000	8
Tier 15 W/ Gasket*	B1B304818G	B12-3048-18G	18/457	190/86	15,000/22,500	15
	B1B304824G	B12-3048-24G	24/610	199/90	15,000/22,500	15
	B1B304830G	B12-3048-30G	30/762	209/95	15,000/22,500	15
	B1B304836G	B12-3048-36G	36/914	218/99	15,000/22,500	15
	B1B304848G	B12-3048-48G	48/1219	236/107	15,000/22,500	15
Tier 22 W/ Gasket*	B1C304818G	special number	18/457	190/86	22,500/33,750	22
	B1C304824G	special number	24/610	199/90	22,500/33,750	22
	B1C304830G	special number	30/762	209/95	22,500/33,750	22
	B1C304836G	special number	36/914	218/99	22,500/33,750	22
	B1C304848G	special number	48/1219	236/107	22,500/33,750	22
Tier 8 W/ Integral Bottom	B1A304818B	B10-3048-18B	18/457	206/93	8,000/12,000	8
	B1A304824B	B10-3048-24B	24/610	215/98	8,000/12,000	8
	B1A304830B	B10-3048-30B	30/762	225/102	8,000/12,000	8
	B1A304836B	B10-3048-36B	36/914	234/106	8,000/12,000	8
	B1A304848B	B10-3048-48B	48/1219	252/114	8,000/12,000	8
Tier 15 W/ Integral Bottom	B1B304818B	B12-3048-18B	18/457	206/93	15,000/22,500	15
	B1B304824B	B12-3048-24B	24/610	215/98	15,000/22,500	15
	B1B304830B	B12-3048-30B	30/762	225/102	15,000/22,500	15
	B1B304836B	B12-3048-36B	36/914	234/106	15,000/22,500	15
	B1B304848B	B12-3048-48B	48/1219	252/114	15,000/22,500	15
Tier 22 W/ Integral Bottom	B1C304818B	special number	18/457	206/93	22,500/33,750	22
	B1C304824B	special number	24/610	215/98	22,500/33,750	22
	B1C304830B	special number	30/762	225/102	22,500/33,750	22
	B1C304836B	special number	36/914	234/106	22,500/33,750	22
	B1C304848B	special number	48/1219	252/114	22,500/33,750	22
Tier 8 W/ Integral Bottom & Gasket	B1A3048500	B10-3048-18BG	18/457	206/93	8,000/12,000	8
	B1A3048501	B10-3048-24BG	24/610	215/98	8,000/12,000	8
	B1A3048502	B10-3048-30BG	30/762	225/102	8,000/12,000	8
	B1A3048503	B10-3048-36BG	36/914	234/106	8,000/12,000	8
	B1A3048504	B10-3048-48BG	48/1219	252/114	8,000/12,000	8
Tier 15 W/ Integral Bottom & Gasket	B1B3048500	B12-3048-18BG	18/457	206/93	15,000/22,500	15
	B1B3048501	B12-3048-24BG	24/610	215/98	15,000/22,500	15
	B1B3048502	B12-3048-30BG	30/762	225/102	15,000/22,500	15
	B1B3048503	B12-3048-36BG	36/914	234/106	15,000/22,500	15
	B1B3048504	B12-3048-48BG	48/1219	252/114	15,000/22,500	15
Tier 22 W/ Integral Bottom & Gasket	B1C3048500	special number	18/457	206/93	22,500/33,750	22
	B1C3048501	special number	24/610	215/98	22,500/33,750	22
	B1C3048502	special number	30/762	225/102	22,500/33,750	22
	B1C3048503	special number	36/914	234/106	22,500/33,750	22
	B1C3048504	special number	48/1219	252/114	22,500/33,750	22

\*Gaskets reduce the inflow of fluids but do not make the enclosure water tight. One piece covers are recommended when using gaskets.

\*\*Boxes 30, 36 and 48" deep may be made as Adust-To-Grade by replacing B with letter G (example: G1A304830A)

• Loadings comply with ANSI/SCTE 77 (See page 3 & 4)



# SPECIFICATIONS/DATA

30" X 48" CORRUGATED WALL STYLE ASSEMBLY

[Bottom only] **EXTENSION** (Optional Knockouts or Terminators are available)

DESCRIPTION	PART NO.	Old Catalog No.	WEIGHT# LBS./kg.	DESIGN/TEST LOAD#	ANSI TIER
Tier 8 8" Deep	EOA304808A	E00-3048-08	105/48	8,000/12,000	8
Tier 8 12" Deep	EOA304812A	E00-3048-12	111/50	8,000/12,000	8
Tier 8 18" Deep	EOA304818A	E00-3048-18	120/54	8,000/12,000	8
Tier 8 24" Deep	EOA304824A	E00-3048-24	129/58	8,000/12,000	8
Tier 15 8" Deep	EOB304808A	E02-3048-08	105/48	15,000/22,500	15
Tier 15 12" Deep	EOB304812A	E02-3048-12	111/50	15,000/22,500	15
Tier 15 18" Deep	EOB304818A	E02-3048-18	120/54	15,000/22,500	15
Tier 15 24" Deep	EOB304824A	E02-3048-24	129/58	15,000/22,500	15
Tier 22 8" Deep	EOC304808A	E04-3048-08	105/48	22,500/33,750	22
Tier 22 12" Deep	EOC304812A	E04-3048-12	111/50	22,500/33,750	22
Tier 22 18" Deep	EOC304818A	E04-3048-18	120/54	22,500/33,750	22
Tier 22 24" Deep	EOC304824A	E04-3048-24	129/58	22,500/33,750	22
Tier 8 8" Deep Integral Bottom	EOA304808B	E00-3048-08B	121/55	8,000/12,000	8
Tier 8 12" Deep Integral Bottom	EOA304812B	E00-3048-12B	127/58	8,000/12,000	8
Tier 8 18" Deep Integral Bottom	EOA304818B	E00-3048-18B	136/62	8,000/12,000	8
Tier 8 24" Deep Integral Bottom	EOA304824B	E00-3048-24B	145/66	8,000/12,000	8
Tier 15 8" Deep Integral Bottom	EOB304808B	E02-3048-08B	121/55	15,000/22,500	15
Tier 15 12" Deep Integral Bottom	EOB304812B	E02-3048-12B	127/58	15,000/22,500	15
Tier 15 18" Deep Integral Bottom	EOB304818B	E02-3048-18B	136/62	15,000/22,500	15
Tier 15 24" Deep Integral Bottom	EOB304824B	E02-3048-24B	145/66	15,000/22,500	15
Tier 22 8" Deep Integral Bottom	EOC304808B	Special Number	121/55	22,500/33,750	22
Tier 22 12" Deep Integral Bottom	EOC304812B	Special Number	127/58	22,500/33,750	22
Tier 22 18" Deep Integral Bottom	EOC304818B	Special Number	136/62	22,500/33,750	22
Tier 22 24" Deep Integral Bottom	EOC304824B	Special Number	145/66	22,500/33,750	22

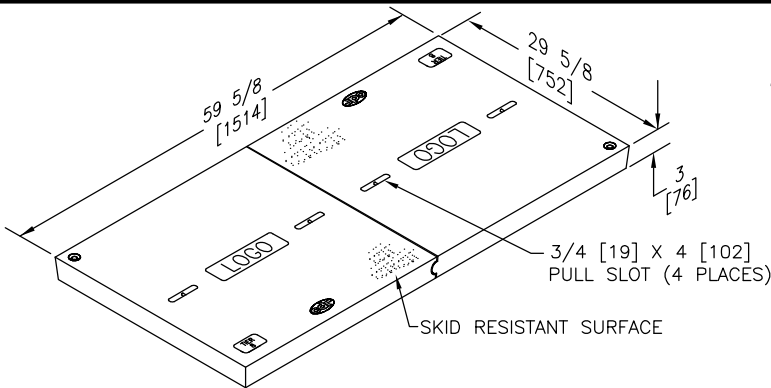
## OPTIONAL SEPARATE BASE

DESCRIPTION	PART NO.	Old Catalog No.	WEIGHT# LBS./kg.
Separate bottom for boxes	X003048	_X00-3048	16/7

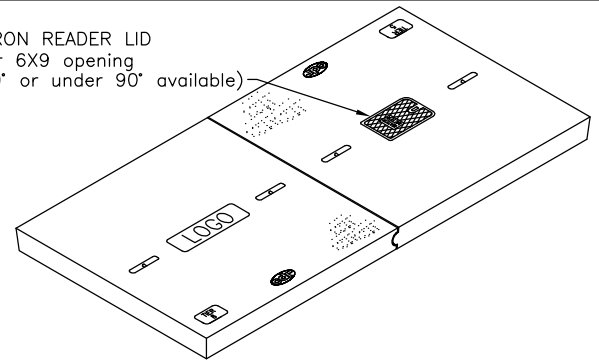


# SPECIFICATIONS/DATA

## 30" X 60" CORRUGATED WALL STYLE ASSEMBLY



CAST IRON READER LID  
(4X6 or 6X9 opening  
over 90° or under 90° available)

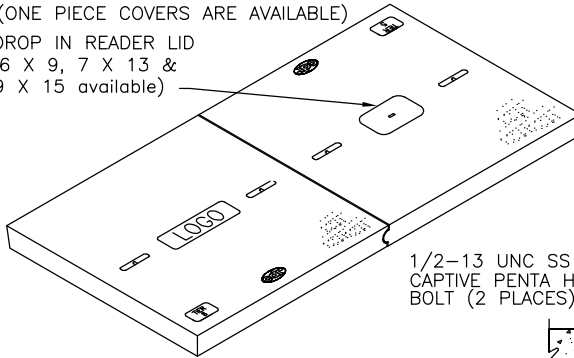


**COVER W/READER LID**

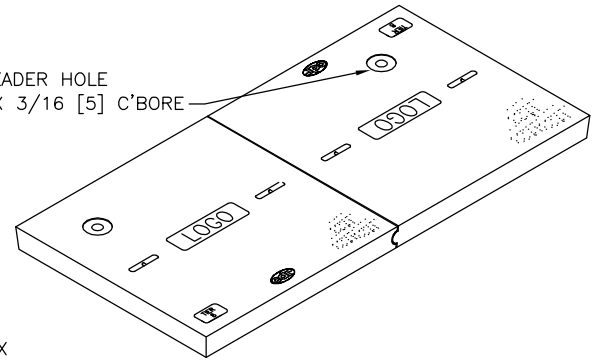
**2 PIECE COVER**

(ONE PIECE COVERS ARE AVAILABLE)

DROP IN READER LID  
(6 X 9, 7 X 13 &  
9 X 15 available)

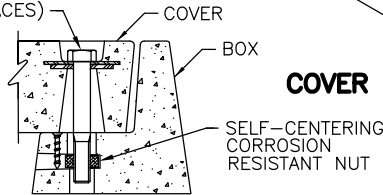


Ø2 [51] TOUCH READER HOLE  
w/Ø4 1/8 [105] X 3/16 [5] C'BORE



**COVER W/TOUCH READER HOLE**

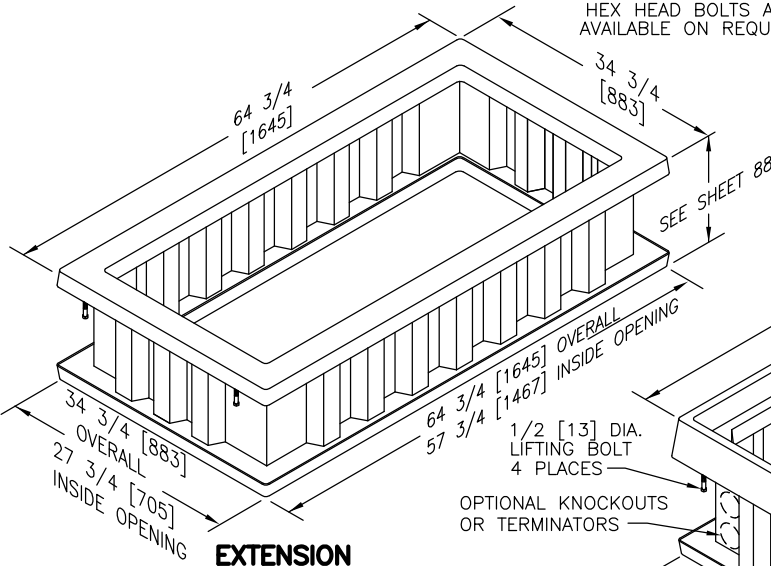
1/2-13 UNC SS  
CAPTIVE PENTA HEAD  
BOLT (2 PLACES)



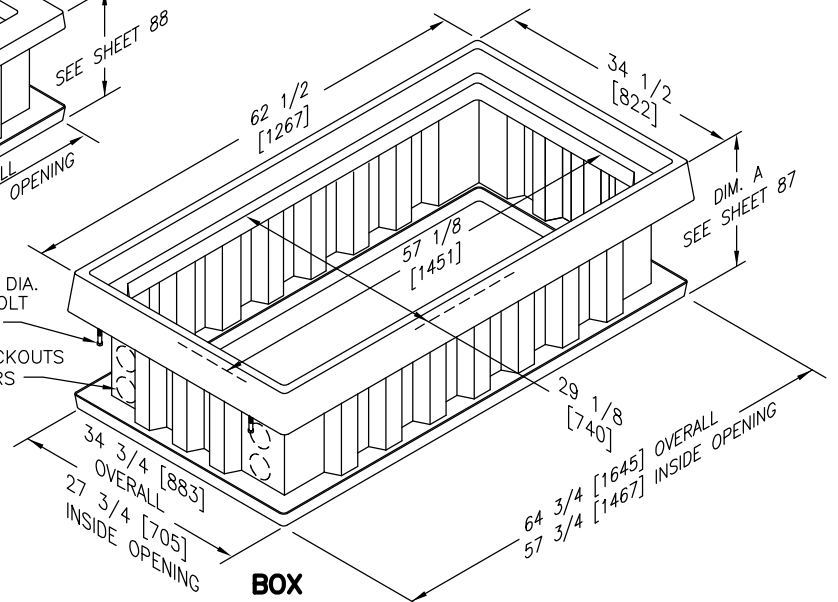
**CAPTIVE BOLT DETAIL**

HEX HEAD BOLTS ARE  
AVAILABLE ON REQUEST

**COVER W/DROP IN READER LID**



**EXTENSION**



**BOX**

Dimensions in brackets are in millimeters

# SPECIFICATIONS/DATA

## 30" X 60" CORRUGATED WALL STYLE ASSEMBLY

COVERS Bolt down covers have S.S. Captive Penta Head Bolts [Blank unless logo is specified] (Hex Head Bolts are available – change 2nd digit in cover part no. to "2")					
DESCRIPTION	PART NO.	Old Catalog No.	WEIGHT# LBS./kg.	DESIGN/TEST LOAD#	ANSI TIER
Tier 8 w/2 Bolts	C10306003A	C10-3060-23	208/94	8,000/12,000	8
Tier 8 No Bolt Down	C00306003A	C00-3060-23	208/94	8,000/12,000	8
Tier 15 w/2 Bolts	C12306003A	C12-3060-23	268/122	15,000/22,500	15
Tier 15 No Bolt Down	C02306003A	C02-3060-23	268/122	15,000/22,500	15
Tier 22 w/2 Bolts	C16306003A	special number	268/122	22,500/33,750	22
Tier 22 No Bolt Down	C06306003A	special number	268/122	22,500/33,750	22
No Bolts w/4x6 Meter Lid (Over 90)	C08306003C	C00-3060-3C	213/97	5,000/7,500	5
Bolts w/4x6 Meter Lid (Over 90)	C18306003C	C10-3060-3C	213/97	5,000/7,500	5
No Bolts w/4x6 Meter Lid (Under 90)	C08306003D	C00-3060-3C	213/97	5,000/7,500	5
Bolts w/4x6 Meter Lid (Under 90)	C18306003D	C10-3060-3C	213/97	5,000/7,500	5
No Bolts w/6x9 Meter Lid (Over 90)	C08306003E	C00-3060-3C	213/97	5,000/7,500	5
Bolts w/6x9 Meter Lid (Over 90)	C18306003E	C10-3060-3C	213/97	5,000/7,500	5
No Bolts w/6x9 Meter Lid (Under 90)	C08306003F	C00-3060-3C	213/97	5,000/7,500	5
Bolts w/6x9 Meter Lid (Under 90)	C18306003F	C10-3060-3C	213/97	5,000/7,500	5
No Bolts w/Touch Reader Hole	C00306003P	C00-3060-3TR	213/97	8,000/12,000	8
Bolts w/Touch Reader Hole	C10306003P	C10-3060-3TR	213/97	8,000/12,000	8
No Bolts w/6x9 Drop In Reader Lid	C08306003T	C00-3060-3E	268/122	5,000/7,500	5
Bolts w/6x9 Drop In Reader Lid	C18306003T	C10-3060-3E	268/122	5,000/7,500	5
No Bolts w/7x13 Drop In Reader Lid	C08306003U	C00-3060-3E	268/122	5,000/7,500	5
Bolts w/7x13 Drop In Reader Lid	C18306003U	C10-3060-3E	268/122	5,000/7,500	5
No Bolts w/9x15 Drop In Reader Lid	C08306003V	C00-3060-3E	268/122	5,000/7,500	5
Bolts w/9x15 Drop In Reader Lid	C18306003V	C10-3060-3E	268/122	5,000/7,500	5
Tier 8 w/2 Bolts (one piece)	C103060501	C10-3060-03	208/94	8,000/12,000	8
Tier 15 w/2 Bolts (one piece)	C123060501	C12-3060-03	268/122	15,000/22,500	15

Covers must be used with equivalent tier boxes or higher (example a Tier 15 cover may not be used with Tier 8 box). One piece cover is available upon request.



# SPECIFICATIONS/DATA

## 30" X 60" CORRUGATED WALL STYLE ASSEMBLY

BOXES (With self-aligning corrosion resistant replaceable nuts)						
DESCRIPTION	Part No.	Old Catalog No.	DIM. A IN./mm.	WEIGHT# LBS./kg.	DESIGN/TEST LOAD#	ANSI TIER
Tier 8	B1A306018A	B10-3060-18	18/457	229/103	8,000/12,000	8
	B1A306024A	B10-3060-24	24/610	240/109	8,000/12,000	8
	B1A306030A	B10-3060-30	30/762	251/114	8,000/12,000	8
	B1A306036A	B10-3060-36	36/914	263/119	8,000/12,000	8
	B1A306048A	B10-3060-48	48/1219	286/130	8,000/12,000	8
Tier 15	B1B306018A	B12-3060-18	18/457	229/103	15,000/22,500	15
	B1B306024A	B12-3060-24	24/610	240/109	15,000/22,500	15
	B1B306030A	B12-3060-30	30/762	251/114	15,000/22,500	15
	B1B306036A	B12-3060-36	36/914	263/119	15,000/22,500	15
	B1B306048A	B12-3060-48	48/1219	286/130	15,000/22,500	15
Tier 22	B1C306018A	special number	18/457	229/103	22,500/33,750	22
	B1C306024A	special number	24/610	240/109	22,500/33,750	22
	B1C306030A	special number	30/762	251/114	22,500/33,750	22
	B1C306036A	special number	36/914	263/119	22,500/33,750	22
	B1C306048A	special number	48/1219	286/130	22,500/33,750	22
Tier 8 W/ Gasket*	B1A306018G	B10-3060-18G	18/457	229/103	8,000/12,000	8
	B1A306024G	B10-3060-24G	24/610	240/109	8,000/12,000	8
	B1A306030G	B10-3060-30G	30/762	251/114	8,000/12,000	8
	B1A306036G	B10-3060-36G	36/914	263/119	8,000/12,000	8
	B1A306048G	B10-3060-48G	48/1219	286/130	8,000/12,000	8
Tier 15 W/ Gasket*	B1B306018G	B12-3060-18G	18/457	229/103	15,000/22,500	15
	B1B306024G	B12-3060-24G	24/610	240/109	15,000/22,500	15
	B1B306030G	B12-3060-30G	30/762	251/114	15,000/22,500	15
	B1B306036G	B12-3060-36G	36/914	263/119	15,000/22,500	15
	B1B306048G	B12-3060-48G	48/1219	286/130	15,000/22,500	15
Tier 22 W/ Gasket*	B1C306018G	special number	18/457	229/103	22,500/33,750	22
	B1C306024G	special number	24/610	240/109	22,500/33,750	22
	B1C306030G	special number	30/762	251/114	22,500/33,750	22
	B1C306036G	special number	36/914	263/119	22,500/33,750	22
	B1C306048G	special number	48/1219	286/130	22,500/33,750	22
Tier 8 W/ Integral Bottom	B1A306018B	B10-3060-18B	18/457	249/113	8,000/12,000	8
	B1A306024B	B10-3060-24B	24/610	260/118	8,000/12,000	8
	B1A306030B	B10-3060-30B	30/762	271/123	8,000/12,000	8
	B1A306036B	B10-3060-36B	36/914	283/128	8,000/12,000	8
	B1A306048B	B10-3060-48B	48/1219	306/139	8,000/12,000	8
Tier 15 W/ Integral Bottom	B1B306018B	B12-3060-18B	18/457	249/113	15,000/22,500	15
	B1B306024B	B12-3060-24B	24/610	260/118	15,000/22,500	15
	B1B306030B	B12-3060-30B	30/762	271/123	15,000/22,500	15
	B1B306036B	B12-3060-36B	36/914	283/128	15,000/22,500	15
	B1B306048B	B12-3060-48B	48/1219	306/139	15,000/22,500	15
Tier 22 W/ Integral Bottom	B1C306018B	special number	18/457	249/113	22,500/33,750	22
	B1C306024B	special number	24/610	260/118	22,500/33,750	22
	B1C306030B	special number	30/762	271/123	22,500/33,750	22
	B1C306036B	special number	36/914	283/128	22,500/33,750	22
	B1C306048B	special number	48/1219	306/139	22,500/33,750	22
Tier 8 W/ Integral Bottom & Gasket*	B1A306018B	B10-3060-18BG	18/457	249/113	8,000/12,000	8
	B1A306024B	B10-3060-24BG	24/610	260/118	8,000/12,000	8
	B1A306030B	B10-3060-30BG	30/762	271/123	8,000/12,000	8
	B1A306036B	B10-3060-36BG	36/914	283/128	8,000/12,000	8
	B1A306048B	B10-3060-48BG	48/1219	306/139	8,000/12,000	8
Tier 15 W/ Integral Bottom & Gasket*	B1B306018B	B12-3060-18BG	18/457	249/113	15,000/22,500	15
	B1B306024B	B12-3060-24BG	24/610	260/118	15,000/22,500	15
	B1B306030B	B12-3060-30BG	30/762	271/123	15,000/22,500	15
	B1B306036B	B12-3060-36BG	36/914	283/128	15,000/22,500	15
	B1B306048B	B12-3060-48BG	48/1219	306/139	15,000/22,500	15
Tier 22 W/ Integral Bottom & Gasket*	B1C306018B	special number	18/457	249/113	22,500/33,750	22
	B1C306024B	special number	24/610	260/118	22,500/33,750	22
	B1C306030B	special number	30/762	271/123	22,500/33,750	22
	B1C306036B	special number	36/914	283/128	22,500/33,750	22
	B1C306048B	special number	48/1219	306/139	22,500/33,750	22

\*Gaskets reduce the inflow of fluids but do not make the enclosure water tight. One piece covers are recommended when using gaskets.

\*\*Boxes 30, 36 and 48" deep may be made as Adjust-To-Grade by replacing B with letter G (example: G1A306030A)

• Loadings comply with ANSI/SCTE 77 (See page 3 & 4)





# SPECIFICATIONS/DATA

## 30" X 60" CORRUGATED WALL STYLE ASSEMBLY

[Bottom Only] **EXTENSION** (Optional Knockouts or Terminators are available)

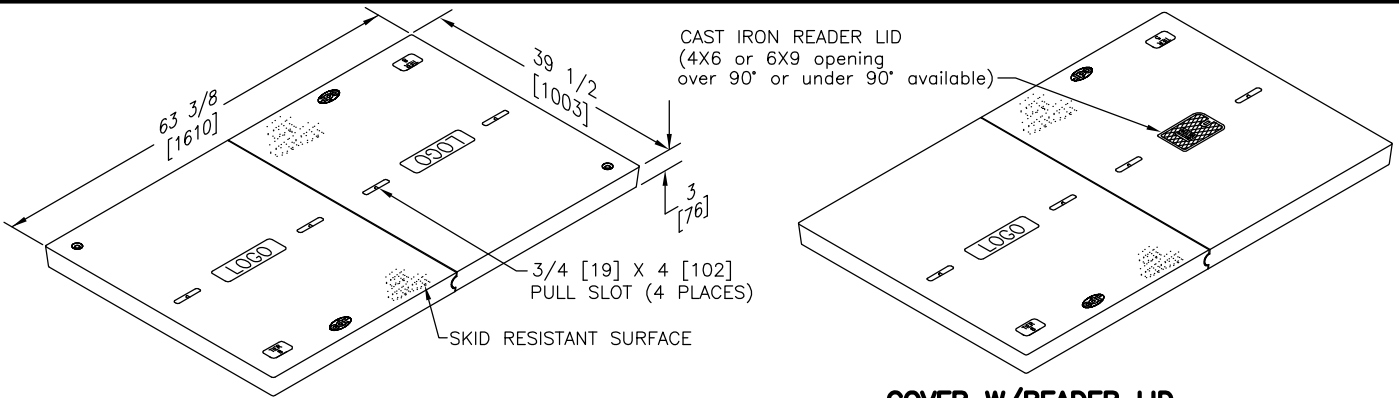
DESCRIPTION	PART NO.	Old Catalog No.	WEIGHT# LBS./kg.	DESIGN/TEST LOAD#	ANSI TIER
Tier 8 8" Deep	EOA306008A	E00-3060-08	131/59	8,000/12,000	8
Tier 8 12" Deep	EOA306012A	E00-3060-12	139/63	8,000/12,000	8
Tier 8 18" Deep	EOA306018A	E00-3060-18	150/68	8,000/12,000	8
Tier 8 24" Deep	EOA306024A	E00-3060-24	161/73	8,000/12,000	8
Tier 15 8" Deep	EOB306008A	E02-3060-08	131/59	15,000/22,500	15
Tier 15 12" Deep	EOB306012A	E02-3060-12	139/63	15,000/22,500	15
Tier 15 18" Deep	EOB306018A	E02-3060-18	150/68	15,000/22,500	15
Tier 15 24" Deep	EOB306024A	E02-3060-24	161/73	15,000/22,500	15
Tier 22 8" Deep	EOC306008A	Special number	131/59	22,500/33,750	22
Tier 22 12" Deep	EOC306012A	Special number	139/63	22,500/33,750	22
Tier 22 18" Deep	EOC306018A	Special number	150/68	22,500/33,750	22
Tier 22 24" Deep	EOC306024A	Special number	161/73	22,500/33,750	22
Tier 8 8" Deep Integral Bottom	EOA306008B	E00-3060-08B	151/68	8,000/12,000	8
Tier 8 12" Deep Integral Bottom	EOA306012B	E00-3060-12B	159/72	8,000/12,000	8
Tier 8 18" Deep Integral Bottom	EOA306018B	E00-3060-18B	170/77	8,000/12,000	8
Tier 8 24" Deep Integral Bottom	EOA306024B	E00-3060-24B	181/82	8,000/12,000	8
Tier 15 8" Deep Integral Bottom	EOB306008B	E02-3060-08B	151/68	15,000/22,500	15
Tier 15 12" Deep Integral Bottom	EOB306012B	E02-3060-12B	159/72	15,000/22,500	15
Tier 15 18" Deep Integral Bottom	EOB306018B	E02-3060-18B	170/77	15,000/22,500	15
Tier 15 24" Deep Integral Bottom	EOB306024B	E02-3060-24B	181/82	15,000/22,500	15
Tier 22 8" Deep Integral Bottom	EOC306008B	Special number	151/68	22,500/33,750	22
Tier 22 12" Deep Integral Bottom	EOC306012B	Special number	159/72	22,500/33,750	22
Tier 22 18" Deep Integral Bottom	EOC306018B	Special number	170/77	22,500/33,750	22
Tier 22 24" Deep Integral Bottom	EOC306024B	Special number	181/82	22,500/33,750	22

### OPTIONAL SEPARATE BASE

DESCRIPTION	PART NO.	Old Catalog No.	WEIGHT# LBS./kg.
Separate bottom for boxes	X003060	_X00-3060	20/9

# SPECIFICATIONS/DATA

## 36" X 60" CORRUGATED WALL STYLE ASSEMBLY

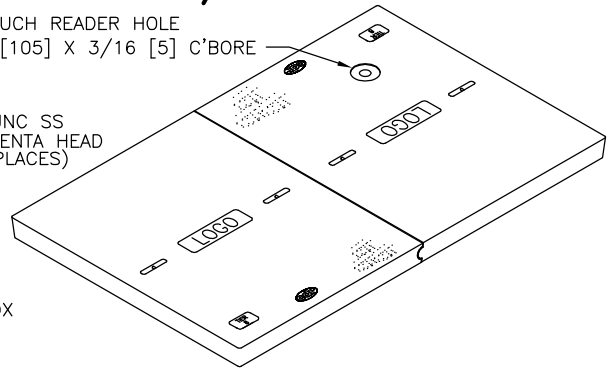
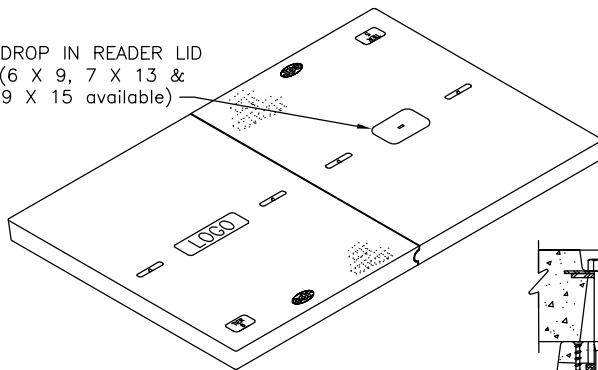


**2 PIECE COVER**  
(ONE PIECE COVERS ARE AVAILABLE)

**COVER W/READER LID**

DROP IN READER LID  
(6 X 9, 7 X 13 &  
9 X 15 available)

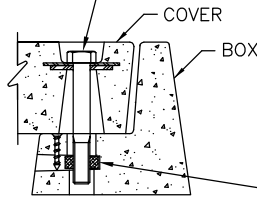
Ø2 [51] TOUCH READER HOLE  
w/Ø4 1/8 [105] X 3/16 [5] C'BORE



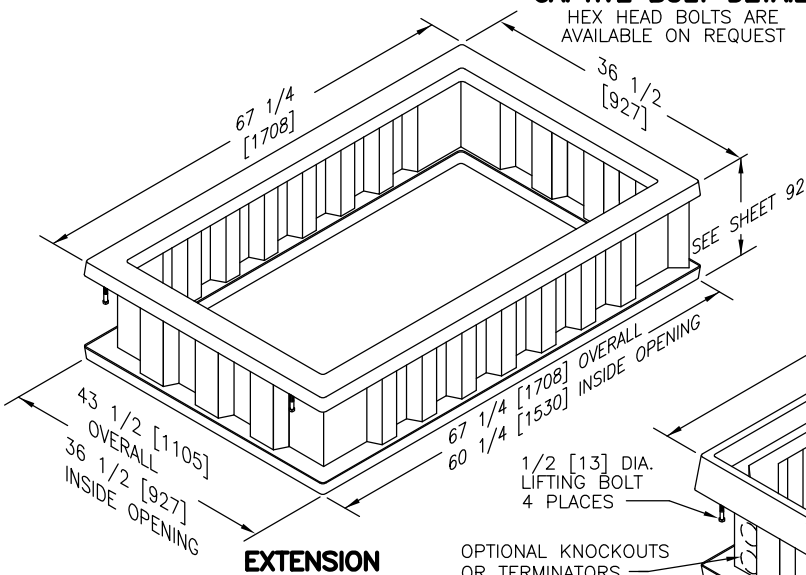
**COVER W/TOUCH READER HOLE**

**COVER W/DROP IN READER LID**

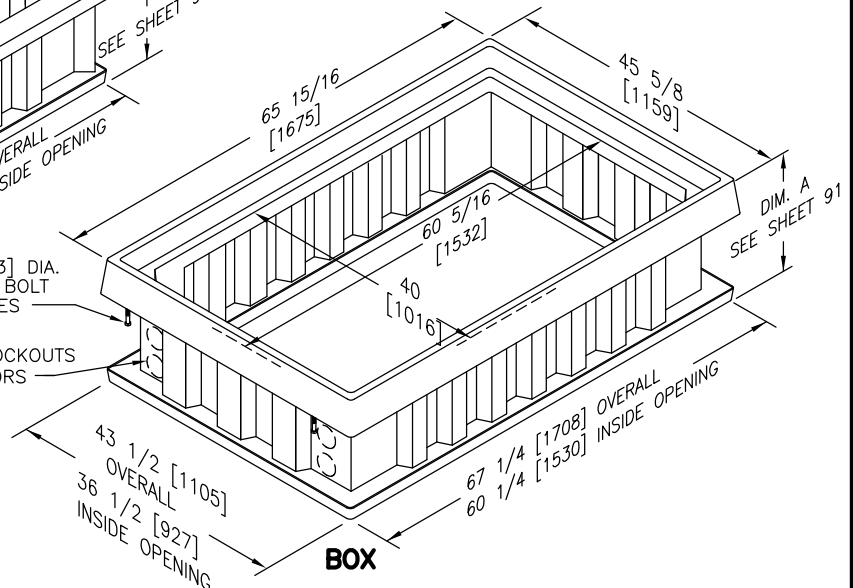
**CAPTIVE BOLT DETAIL**  
HEX HEAD BOLTS ARE  
AVAILABLE ON REQUEST



SELF-CENTERING  
CORROSION  
RESISTANT NUT



**EXTENSION**



**BOX**

Dimensions in brackets are in millimeters

# SPECIFICATIONS/DATA

## 36" X 60" CORRUGATED WALL STYLE ASSEMBLY

**COVERS** Bolt down covers have S.S. Captive Penta Head Bolts [Blank unless logo is specified]  
(Hex Head Bolts are available – change 2nd digit in cover part no. to "2")

DESCRIPTION	PART NO.	Old Catalog No.	WEIGHT# LBS./kg.	DESIGN/TEST LOAD#	ANSI TIER
Tier 8 w/2 Bolts	C10366003A	C10-3660-23	273/124	8,000/12,000	8
Tier 8 No Bolt Down	C00366003A	C00-3660-23	273/124	8,000/12,000	8
Tier 15 w/2 Bolts	C12366003A	C12-3660-23	333/122	15,000/22,500	15
Tier 15 No Bolt Down	C02366003A	C02-3660-23	333/122	15,000/22,500	15
Tier 22 w/2 Bolts	C16366003A	special number	333/122	22,500/33,750	22
Tier 22 No Bolt Down	C06366003A	special number	333/122	22,500/33,750	22
No Bolts w/4x6 Meter Lid (Over 90)	C08366003C	C00-3660-23C	283/128	5,000/7,500	5
Bolts w/4x6 Meter Lid (Over 90)	C18366003C	C10-3660-23C	283/128	5,000/7,500	5
No Bolts w/4x6 Meter Lid (Under 90)	C08366003D	C00-3660-23C	283/128	5,000/7,500	5
Bolts w/4x6 Meter Lid (Under 90)	C18366003D	C10-3660-23C	283/128	5,000/7,500	5
No Bolts w/6x9 Meter Lid (Over 90)	C08366003E	C00-3660-23C	283/128	5,000/7,500	5
Bolts w/6x9 Meter Lid (Over 90)	C18366003E	C10-3660-23C	283/128	5,000/7,500	5
No Bolts w/6x9 Meter Lid (Under 90)	C08366003F	C00-3660-23C	283/128	5,000/7,500	5
Bolts w/6x9 Meter Lid (Under 90)	C18366003F	C10-3660-23C	283/128	5,000/7,500	5
No Bolts w/Touch Reader Hole	C00366003P	C00-3660-23TR	273/124	8,000/12,000	8
Bolts w/Touch Reader Hole	C10366003P	C10-3660-23TR	273/124	8,000/12,000	8
No Bolts w/6x9 Drop In Reader Lid	C08366003T	C00-3660-23E	333/122	5,000/7,500	5
Bolts w/6x9 Drop In Reader Lid	C18366003T	C10-3660-23E	333/122	5,000/7,500	5
No Bolts w/7x13 Drop In Reader Lid	C08366003U	C00-3660-23E	333/122	5,000/7,500	5
Bolts w/7x13 Drop In Reader Lid	C18366003U	C10-3660-23E	333/122	5,000/7,500	5
No Bolts w/9x15 Drop In Reader Lid	C08366003V	C00-3660-23E	333/122	5,000/7,500	5
Bolts w/9x15 Drop In Reader Lid	C18366003V	C10-3660-23E	333/122	5,000/7,500	5
Tier 8 w/2 Bolts (one piece)	C103660501	C10-3660-03	273/124	8,000/12,000	8
Tier 15 w/2 Bolts (one piece)	C123660501	C12-3660-03	333/122	15,000/22,500	15

Covers must be used with equivalent tier boxes or higher (example a Tier 15 cover may not be used with Tier 8 box).  
One piece cover is available upon request.



# SPECIFICATIONS/DATA

## 36" X 60" CORRUGATED WALL STYLE ASSEMBLY

BOXES (With self-aligning corrosion resistant replaceable nuts)						
DESCRIPTION	Part No.	Old Catalog No.	DIM. A IN./mm.	WEIGHT# LBS./kg.	DESIGN/TEST LOAD#	ANSI TIER
Tier 8	B1A366018A	B10-3660-18	18/457	212/96	8,000/12,000	8
	B1A366024A	B10-3660-24	24/610	222/101	8,000/12,000	8
	B1A366030A	B10-3660-30	30/762	236/107	8,000/12,000	8
	B1A366036A	B10-3660-36	36/914	260/118	8,000/12,000	8
	B1A366048A	B10-3660-48	48/1219	308/140	8,000/12,000	8
Tier 15	B1B366018A	B12-3660-18	18/457	232/96	15,000/22,500	15
	B1B366024A	B12-3660-24	24/610	252/101	15,000/22,500	15
	B1B366030A	B12-3660-30	30/762	256/107	15,000/22,500	15
	B1B366036A	B12-3660-36	36/914	280/118	15,000/22,500	15
	B1B366048A	B12-3660-48	48/1219	328/140	15,000/22,500	15
Tier 22	B1C366018A	special number	18/457	232/96	22,500/33,750	22
	B1C366024A	special number	24/610	252/101	22,500/33,750	22
	B1C366030A	special number	30/762	256/107	22,500/33,750	22
	B1C366036A	special number	36/914	280/118	22,500/33,750	22
	B1C366048A	special number	48/1219	328/140	22,500/33,750	22
Tier 8 W/ Gasket*	B1A366018G	B10-3660-18G	18/457	212/96	8,000/12,000	8
	B1A366024G	B10-3660-24G	24/610	222/101	8,000/12,000	8
	B1A366030G	B10-3660-30G	30/762	236/107	8,000/12,000	8
	B1A366036G	B10-3660-36G	36/914	260/118	8,000/12,000	8
	B1A366048G	B10-3660-48G	48/1219	308/140	8,000/12,000	8
Tier 15 W/ Gasket*	B1B366018G	B12-3660-18G	18/457	232/96	15,000/22,500	15
	B1B366024G	B12-3660-24G	24/610	252/101	15,000/22,500	15
	B1B366030G	B12-3660-30G	30/762	256/107	15,000/22,500	15
	B1B366036G	B12-3660-36G	36/914	280/118	15,000/22,500	15
	B1B366048G	B12-3660-48G	48/1219	328/140	15,000/22,500	15
Tier 22 W/ Gasket*	B1C366018G	special number	18/457	232/96	22,500/33,750	22
	B1C366024G	special number	24/610	252/101	22,500/33,750	22
	B1C366030G	special number	30/762	256/107	22,500/33,750	22
	B1C366036G	special number	36/914	280/118	22,500/33,750	22
	B1C366048G	special number	48/1219	328/140	22,500/33,750	22
Tier 8 W/ Integral Bottom	B1A366018B	B10-3660-18B	18/457	239/108	8,000/12,000	8
	B1A366024B	B10-3660-24B	24/610	249/113	8,000/12,000	8
	B1A366030B	B10-3660-30B	30/762	263/107	8,000/12,000	8
	B1A366036B	B10-3660-36B	36/914	287/119	8,000/12,000	8
	B1A366048B	B10-3660-48B	48/1219	335/152	8,000/12,000	8
Tier 15 W/ Integral Bottom	B1B366018B	B12-3660-18B	18/457	259/117	15,000/22,500	15
	B1B366024B	B12-3660-24B	24/610	279/127	15,000/22,500	15
	B1B366030B	B12-3660-30B	30/762	283/128	15,000/22,500	15
	B1B366036B	B12-3660-36B	36/914	307/139	15,000/22,500	15
	B1B366048B	B12-3660-48B	48/1219	355/161	15,000/22,500	15
Tier 22 W/ Integral Bottom	B1C366018B	special number	18/457	259/117	22,500/33,750	22
	B1C366024B	special number	24/610	279/127	22,500/33,750	22
	B1C366030B	special number	30/762	283/128	22,500/33,750	22
	B1C366036B	special number	36/914	307/139	22,500/33,750	22
	B1C366048B	special number	48/1219	355/161	22,500/33,750	22
Tier 8 W/ Integral Bottom & Gasket*	B1A3660500	B10-3660-18BG	18/457	239/108	8,000/12,000	8
	B1A3660501	B10-3660-24BG	24/610	249/113	8,000/12,000	8
	B1A3660502	B10-3660-30BG	30/762	263/107	8,000/12,000	8
	B1A3660503	B10-3660-36BG	36/914	287/119	8,000/12,000	8
	B1A3660504	B10-3660-48BG	48/1219	335/152	8,000/12,000	8
Tier 15 W/ Integral Bottom & Gasket*	B1B3660502	B12-3660-18BG	18/457	259/117	15,000/22,500	15
	B1B3660503	B12-3660-24BG	24/610	279/127	15,000/22,500	15
	B1B3660504	B12-3660-30BG	30/762	283/128	15,000/22,500	15
	B1B3660505	B12-3660-36BG	36/914	307/139	15,000/22,500	15
	B1B3660506	B12-3660-48BG	48/1219	355/161	15,000/22,500	15
Tier 22 W/ Integral Bottom & Gasket*	B1C3660500	special number	18/457	259/117	22,500/33,750	22
	B1C3660501	special number	24/610	279/127	22,500/33,750	22
	B1C3660502	special number	30/762	283/128	22,500/33,750	22
	B1C3660503	special number	36/914	307/139	22,500/33,750	22
	B1C3660504	special number	48/1219	355/161	22,500/33,750	22

\*Gaskets reduce the inflow of fluids but do not make the enclosure water tight. One piece covers are recommended when using gaskets.

\*\*Boxes 30, 36 and 48" deep may be made as Adust-To-Grade by replacing B with letter G (example: G1A366030A)

• Loadings comply with ANSI/SCTE 77 (See page 3 & 4)



# SPECIFICATIONS/DATA

36" X 60" CORRUGATED WALL STYLE ASSEMBLY

[Bottom Only] **EXTENSION** (Optional Knockouts or Terminators are available)

DESCRIPTION	PART NO.	Old Catalog No.	WEIGHT# LBS./kg.	DESIGN/TEST LOAD#	ANSI TIER
Tier 8 8" Deep	EOA366008A	E00-3660-08	173/78	8,000/12,000	8
Tier 8 12" Deep	EOA366012A	E00-3660-12	182/83	8,000/12,000	8
Tier 8 18" Deep	EOA366018A	E00-3660-18	197/89	8,000/12,000	8
Tier 8 24" Deep	EOA366024A	E00-3660-24	212/96	8,000/12,000	8
Tier 15 8" Deep	E0B366008A	E02-3660-08	173/48	15,000/22,500	15
Tier 15 12" Deep	E0B366012A	E02-3660-12	182/50	15,000/22,500	15
Tier 15 18" Deep	E0B366018A	E02-3660-18	197/54	15,000/22,500	15
Tier 15 24" Deep	E0B366024A	E02-3660-24	212/58	15,000/22,500	15
Tier 22 8" Deep	E0C366008A	Special Number	173/48	22,500/33,750	22
Tier 22 12" Deep	E0C366012A	Special Number	182/50	22,500/33,750	22
Tier 22 18" Deep	E0C366018A	Special Number	197/54	22,500/33,750	22
Tier 22 24" Deep	E0C366024A	Special Number	212/58	22,500/33,750	22
Tier 8 8" Deep Integral Bottom	EOA366008B	E00-3660-08B	200/91	8,000/12,000	8
Tier 8 12" Deep Integral Bottom	EOA366012B	E00-3660-12B	209/95	8,000/12,000	8
Tier 8 18" Deep Integral Bottom	EOA366018B	E00-3660-18B	224/102	8,000/12,000	8
Tier 8 24" Deep Integral Bottom	EOA366024B	E00-3660-24B	239/108	8,000/12,000	8
Tier 15 8" Deep Integral Bottom	E0B366008B	Special Number	200/91	15,000/22,500	15
Tier 15 12" Deep Integral Bottom	E0B366012B	Special Number	209/95	15,000/22,500	15
Tier 15 18" Deep Integral Bottom	E0B366018B	Special Number	224/102	15,000/22,500	15
Tier 15 24" Deep Integral Bottom	E0B366024B	Special Number	239/108	15,000/22,500	15
Tier 22 8" Deep Integral Bottom	E0C366008B	Special Number	200/91	22,500/33,750	22
Tier 22 12" Deep Integral Bottom	E0C366012B	Special Number	209/95	22,500/33,750	22
Tier 22 18" Deep Integral Bottom	E0C366018B	Special Number	224/102	22,500/33,750	22
Tier 22 24" Deep Integral Bottom	E0C366024B	Special Number	239/108	22,500/33,750	22

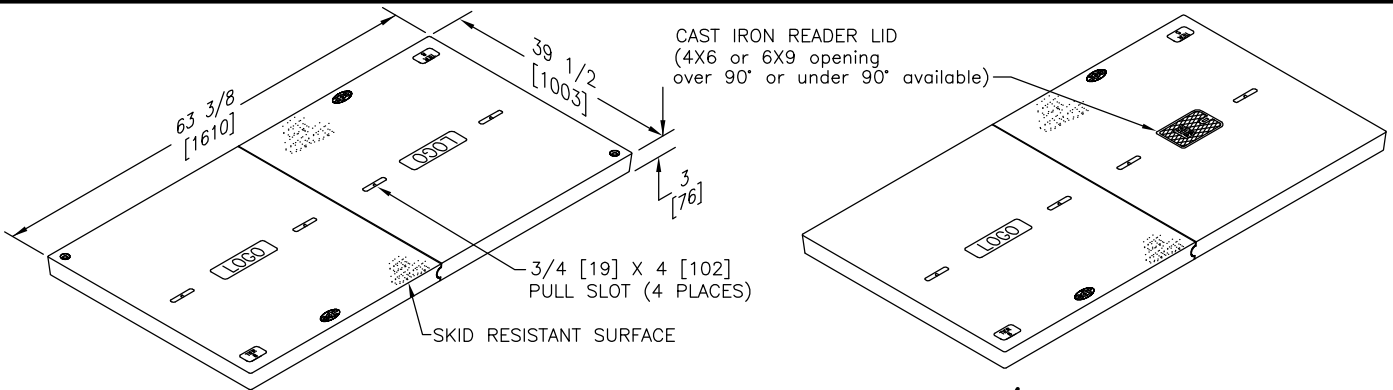
### OPTIONAL SEPARATE BASE

DESCRIPTION	PART NO.	Old Catalog No.	WEIGHT# LBS./kg.
Separate bottom for boxes	X003660	_X00-3660	27/12



# SPECIFICATIONS/DATA

## 36" X 72" CORRUGATED WALL STYLE ASSEMBLY

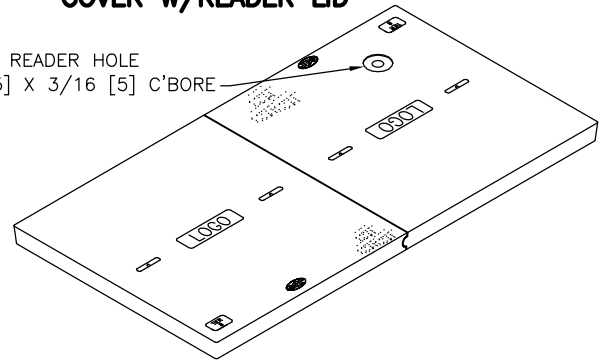
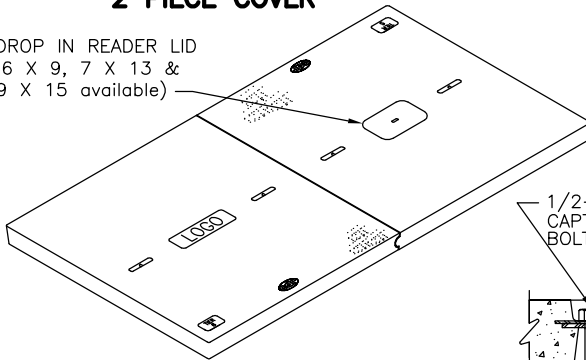


**2 PIECE COVER**

**COVER W/READER LID**

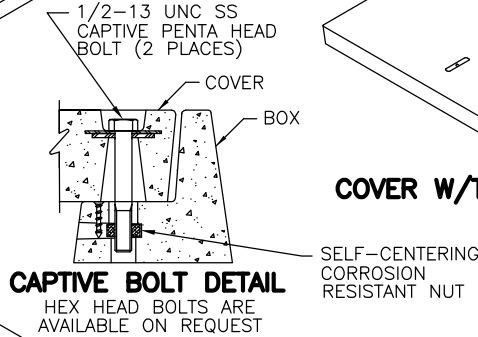
DROP IN READER LID  
(6 X 9, 7 X 13 &  
9 X 15 available)

Ø2 [51] TOUCH READER HOLE  
w/Ø4 1/8 [105] X 3/16 [5] C'BORE

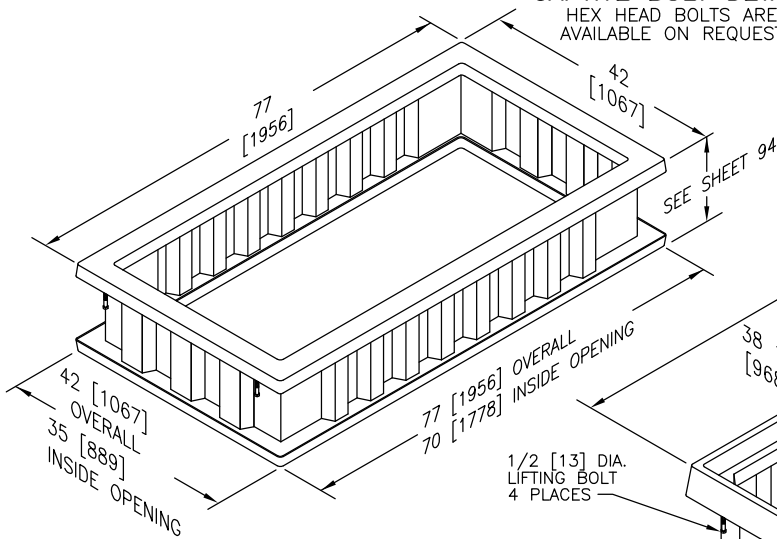


**COVER W/DROP IN READER LID**

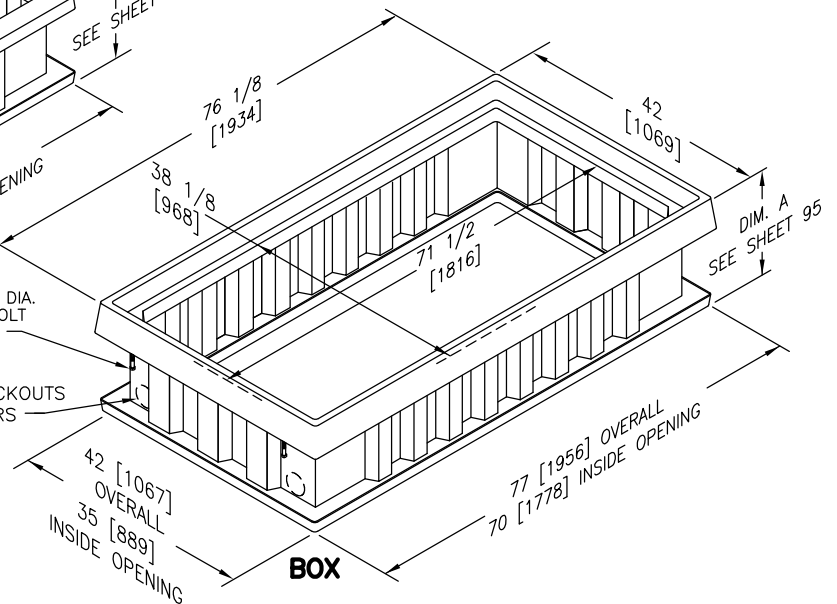
**COVER W/TOUCH READER HOLE**



**CAPTIVE BOLT DETAIL**  
HEX HEAD BOLTS ARE  
AVAILABLE ON REQUEST



**EXTENSION**



**BOX**

Dimensions in brackets are in millimeters



# SPECIFICATIONS/DATA

## 36" X 72" CORRUGATED WALL STYLE ASSEMBLY

**COVERS** Bolt down covers have S.S. Captive Penta Head Bolts [Blank unless logo is specified]  
(Hex Head Bolts are available – change 2nd digit in cover part no. to "2")

DESCRIPTION	PART NO.	Old Catalog No.	WEIGHT# LBS./kg.	DESIGN/TEST LOAD#	ANSI TIER
Tier 8 w/4 Bolts	C10367203A	C10-3672-23	275/125	8,000/12,000	8
Tier 8 No Bolt Down	C00367203A	C00-3672-23	275/125	8,000/12,000	8
Tier 15 w/4 Bolts	C12367203A	C12-3672-23	355/161	15,000/22,500	15
Tier 15 No Bolt Down	C02367203A	C02-3672-23	355/161	15,000/22,500	15
Tier 22 w/4 Bolts	C16367203A	special number	355/161	22,500/33,750	22
Tier 22 No Bolt Down	C06367203A	special number	355/161	22,500/33,750	22
No Bolts w/4x6 Meter Lid (Over 90)	C08367203C	C00-3672-23C	285/129	5,000/7,500	5
Bolts w/4x6 Meter Lid (Over 90)	C18367203C	C10-3672-23C	285/129	5,000/7,500	5
No Bolts w/4x6 Meter Lid (Under 90)	C08367203D	C00-3672-23C	285/129	5,000/7,500	5
Bolts w/4x6 Meter Lid (Under 90)	C18367203D	C10-3672-23C	285/129	5,000/7,500	5
No Bolts w/6x9 Meter Lid (Over 90)	C08367203E	C00-3672-23C	285/129	5,000/7,500	5
Bolts w/6x9 Meter Lid (Over 90)	C18367203E	C10-3672-23C	285/129	5,000/7,500	5
No Bolts w/6x9 Meter Lid (Under 90)	C08367203F	C00-3672-23C	285/129	5,000/7,500	5
Bolts w/6x9 Meter Lid (Under 90)	C18367203F	C10-3672-23C	285/129	5,000/7,500	5
No Bolts w/Touch Reader Hole	C00367203P	C00-3672-23TR	275/125	8,000/12,000	8
Bolts w/Touch Reader Hole	C10367203P	C10-3672-23TR	275/125	8,000/12,000	8
No Bolts w/6x9 Drop In Reader Lid	C08367203T	C00-3672-23E	355/161	5,000/7,500	5
Bolts w/6x9 Drop In Reader Lid	C18367203T	C10-3672-23E	355/161	5,000/7,500	5
No Bolts w/7x13 Drop In Reader Lid	C08367203U	C00-3672-23E	355/161	5,000/7,500	5
Bolts w/7x13 Drop In Reader Lid	C18367203U	C10-3672-23E	355/161	5,000/7,500	5
No Bolts w/9x15 Drop In Reader Lid	C08367203V	C00-3672-23E	355/161	5,000/7,500	5
Bolts w/9x15 Drop In Reader Lid	C18367203V	C10-3672-23E	355/161	5,000/7,500	5

Covers must be used with equivalent tier boxes or higher (example a Tier 15 cover may not be used with Tier 8 box).  
One piece cover is available upon request.

### [Bottom Only] EXTENSION (Optional Knockouts or Terminators are available)

DESCRIPTION	PART NO.	Old Catalog No.	WEIGHT# LBS./kg.	DESIGN/TEST LOAD#	ANSI TIER
Tier 8 8" Deep	EOA367208A	E00-3672-08	186/84	8,000/12,000	8
Tier 8 12" Deep	EOA367212A	E00-3672-12	193/88	8,000/12,000	8
Tier 8 18" Deep	EOA367218A	E00-3672-18	205/93	8,000/12,000	8
Tier 8 24" Deep	EOA367224A	E00-3672-24	217/98	8,000/12,000	8
Tier 15 8" Deep	EOB367208A	E02-3672-08	186/84	15,000/22,500	15
Tier 15 12" Deep	EOB367212A	E02-3672-12	193/88	15,000/22,500	15
Tier 15 18" Deep	EOB367218A	E02-3672-18	205/93	15,000/22,500	15
Tier 15 24" Deep	EOB367224A	E02-3672-24	217/98	15,000/22,500	15
Tier 22 8" Deep	EOC367208A	Special Number	186/84	22,500/33,750	22
Tier 22 12" Deep	EOC367212A	Special Number	193/88	22,500/33,750	22
Tier 22 18" Deep	EOC367218A	Special Number	205/93	22,500/33,750	22
Tier 22 24" Deep	EOC367224A	Special Number	217/98	22,500/33,750	22
Tier 8 8" Deep Integral Bottom	EOA367208B	E00-3672-08B	216/98	8,000/12,000	8
Tier 8 12" Deep Integral Bottom	EOA367212B	E00-3672-12B	223/101	8,000/12,000	8
Tier 8 18" Deep Integral Bottom	EOA367218B	E00-3672-18B	235/107	8,000/12,000	8
Tier 8 24" Deep Integral Bottom	EOA367224B	E00-3672-24B	247/112	8,000/12,000	8
Tier 15 8" Deep Integral Bottom	EOB367208B	E02-3672-08B	216/98	15,000/22,500	15
Tier 15 12" Deep Integral Bottom	EOB367212B	E02-3672-12B	223/101	15,000/22,500	15
Tier 15 18" Deep Integral Bottom	EOB367218B	E02-3672-18B	235/107	15,000/22,500	15
Tier 15 24" Deep Integral Bottom	EOB367224B	E02-3672-24B	247/112	15,000/22,500	15
Tier 22 8" Deep Integral Bottom	EOC367208B	Special Number	216/98	22,500/33,750	22
Tier 22 12" Deep Integral Bottom	EOC367212B	Special Number	223/101	22,500/33,750	22
Tier 22 18" Deep Integral Bottom	EOC367218B	Special Number	235/107	22,500/33,750	22
Tier 22 24" Deep Integral Bottom	EOC367224B	Special Number	247/112	22,500/33,750	22





# SPECIFICATIONS/DATA

## 36" X 72" CORRUGATED WALL STYLE ASSEMBLY

BOXES (With self-aligning corrosion resistant replaceable nuts)						
DESCRIPTION	Part No.	Old Catalog No.	DIM. A IN./mm.	WEIGHT# LBS./kg.	DESIGN/TEST LOAD#	ANSI TIER
Tier 8	B1A367218A	B10-3672-18	18/457	269/122	8,000/12,000	8
	B1A367224A	B10-3672-24	24/610	284/129	8,000/12,000	8
	B1A367230A	B10-3672-30	30/762	299/136	8,000/12,000	8
	B1A367236A	B10-3672-36	36/914	313/142	8,000/12,000	8
	B1A367248A	B10-3672-48	48/1219	343/156	8,000/12,000	8
Tier 15	B1B367218A	B12-3672-18	18/457	300/136	15,000/22,500	15
	B1B367224A	B12-3672-24	24/610	315/142	15,000/22,500	15
	B1B367230A	B12-3672-30	30/762	330/150	15,000/22,500	15
	B1B367236A	B12-3672-36	36/914	344/156	15,000/22,500	15
	B1B367248A	B12-3672-48	48/1219	374/170	15,000/22,500	15
Tier 22	B1C367218A	special number	18/457	300/136	22,500/33,750	22
	B1C367224A	special number	24/610	315/142	22,500/33,750	22
	B1C367230A	special number	30/762	330/150	22,500/33,750	22
	B1C367236A	special number	36/914	344/156	22,500/33,750	22
	B1C367248A	special number	48/1219	374/170	22,500/33,750	22
Tier 8 W/ Integral Bottom	B1A367218B	B10-3672-18B	18/457	299/136	8,000/12,000	8
	B1A367224B	B10-3672-24B	24/610	314/142	8,000/12,000	8
	B1A367230B	B10-3672-30B	30/762	329/149	8,000/12,000	8
	B1A367236B	B10-3672-36B	36/914	343/156	8,000/12,000	8
	B1A367248B	B10-3672-48B	48/1219	373/169	8,000/12,000	8
Tier 15 W/ Integral Bottom	B1B367218B	B12-3672-18B	18/457	330/150	15,000/22,500	15
	B1B367224B	B12-3672-24B	24/610	345/156	15,000/22,500	15
	B1B367230B	B12-3672-30B	30/762	360/163	15,000/22,500	15
	B1B367236B	B12-3672-36B	36/914	374/170	15,000/22,500	15
	B1B367248B	B12-3672-48B	48/1219	404/183	15,000/22,500	15
Tier 22 W/ Integral Bottom	B1C367218B	special number	18/457	330/150	22,500/33,750	22
	B1C367224B	special number	24/610	345/156	22,500/33,750	22
	B1C367230B	special number	30/762	360/163	22,500/33,750	22
	B1C367236B	special number	36/914	374/170	22,500/33,750	22
	B1C367248B	special number	48/1219	404/183	22,500/33,750	22

\*Boxes 30, 36 and 48" deep may be made as Adust-To-Grade by replacing B with letter G (example: G1A367218A)

- Loadings comply with ANSI/SCTE 77 (See page 3 & 4)

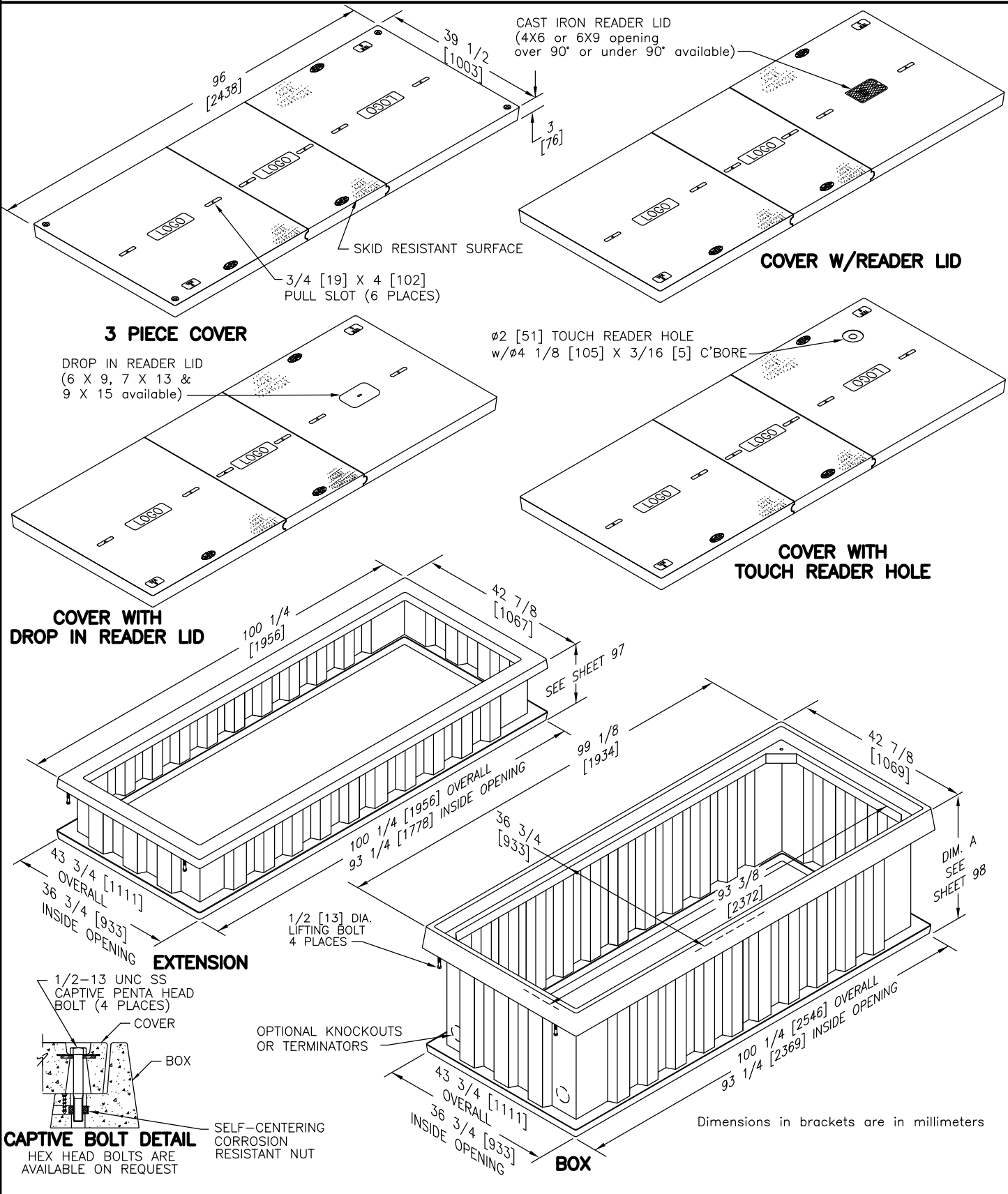
OPTIONAL SEPARATE BASE			
DESCRIPTION	PART NO.	Old Catalog No.	WEIGHT# LBS./kg.
Separate bottom for boxes	X003672	_X00-3672	30/14





# SPECIFICATIONS/DATA

## 36" X 96" CORRUGATED WALL STYLE ASSEMBLY





# SPECIFICATIONS/DATA

## 36" X 96" CORRUGATED WALL STYLE ASSEMBLY

**COVERS** Bolt down covers have S.S. Captive Penta Head Bolts [Blank unless logo is specified]  
(Hex Head Bolts are available - change 2nd digit in cover part no. to "2")

DESCRIPTION	PART NO.	Old Catalog No.	WEIGHT# LBS./kg.	DESIGN/TEST LOAD#	ANSI TIER
Tier 8 w/4 Bolts	C10369603A	C10-3696-33	400/181	8,000/12,000	8
Tier 8 No Bolt Down	C00369603A	C00-3696-33	400/181	8,000/12,000	8
Tier 15 w/4 Bolts	C12369603A	C12-3696-33	420/191	15,000/22,500	15
Tier 15 No Bolt Down	C02369603A	C02-3696-33	420/191	15,000/22,500	15
Tier 22 w/4 Bolts	C16369603A	special number	420/191	22,500/33,750	22
Tier 22 No Bolt Down	C06369603A	special number	420/191	22,500/33,750	22
No Bolts w/4x6 Meter Lid (Over 90)	C08369603C	C00-3696-33C	410/186	5,000/7,500	5
Bolts w/4x6 Meter Lid (Over 90)	C18369603C	C10-3696-33C	410/186	5,000/7,500	5
No Bolts w/4x6 Meter Lid (Under 90)	C08369603D	C00-3696-33C	410/186	5,000/7,500	5
Bolts w/4x6 Meter Lid (Under 90)	C18369603D	C10-3696-33C	410/186	5,000/7,500	5
No Bolts w/6x9 Meter Lid (Over 90)	C08369603E	C00-3696-33C	410/186	5,000/7,500	5
Bolts w/6x9 Meter Lid (Over 90)	C18369603E	C10-3696-33C	410/186	5,000/7,500	5
No Bolts w/6x9 Meter Lid (Under 90)	C08369603F	C00-3696-33C	410/186	5,000/7,500	5
Bolts w/6x9 Meter Lid (Under 90)	C18369603F	C10-3696-33C	410/186	5,000/7,500	5
No Bolts w/Touch Reader Hole	C00369603P	C00-3696-33TR	400/181	8,000/12,000	8
Bolts w/Touch Reader Hole	C10369603P	C10-3696-33TR	400/181	8,000/12,000	8
No Bolts w/6x9 Drop In Reader Lid	C08369603T	C00-3696-33E	420/191	5,000/7,500	5
Bolts w/6x9 Drop In Reader Lid	C18369603T	C10-3696-33E	420/191	5,000/7,500	5
No Bolts w/7x13 Drop In Reader Lid	C08369603U	C00-3696-33E	420/191	5,000/7,500	5
Bolts w/7x13 Drop In Reader Lid	C18369603U	C10-3696-33E	420/191	5,000/7,500	5
No Bolts w/9x15 Drop In Reader Lid	C08369603V	C00-3696-33E	420/191	5,000/7,500	5
Bolts w/9x15 Drop In Reader Lid	C18369603V	C10-3696-33E	420/191	5,000/7,500	5

Covers must be used with equivalent tier boxes or higher (example a Tier 15 cover may not be used with Tier 8 box).  
One piece cover is available upon request.

[Bottom Only] **EXTENSION** (Optional Knockouts or Terminators are available)

DESCRIPTION	PART NO.	Old Catalog No.	WEIGHT# LBS./kg.	DESIGN/TEST LOAD#	ANSI TIER
Tier 8 12" Deep	EOA369612A	E00-3696-12	246/112	8,000/12,000	8
Tier 8 18" Deep	EOA369618A	E00-3696-18	258/117	8,000/12,000	8
Tier 8 24" Deep	EOA369624A	E00-3696-24	270/122	8,000/12,000	8
Tier 8 36" Deep	EOA369636A	E00-3696-36	294/133	8,000/12,000	8
Tier 8 48" Deep	EOA369648A	E00-3696-48	318/144	8,000/12,000	8
Tier 15 12" Deep	EOB369612A	E02-3696-12	246/112	15,000/22,500	15
Tier 15 18" Deep	EOB369618A	E02-3696-18	258/117	15,000/22,500	15
Tier 15 24" Deep	EOB369624A	E02-3696-24	270/122	15,000/22,500	15
Tier 15 36" Deep	EOB369636A	E02-3696-36	294/133	15,000/22,500	15
Tier 15 48" Deep	EOB369648A	E02-3696-48	318/144	15,000/22,500	15
Tier 22 12" Deep	EOC369612A	Special Number	246/112	22,500/33,750	22
Tier 22 18" Deep	EOC369618A	Special Number	258/117	22,500/33,750	22
Tier 22 24" Deep	EOC369624A	Special Number	270/122	22,500/33,750	22
Tier 22 36" Deep	EOC369636A	Special Number	294/133	22,500/33,750	22
Tier 22 48" Deep	EOC369648A	Special Number	318/144	22,500/33,750	22
Tier 8 12" Deep Integral Bottom	EOA369612B	E00-3696-12B	286/130	8,000/12,000	8
Tier 8 18" Deep Integral Bottom	EOA369618B	E00-3696-18B	298/135	8,000/12,000	8
Tier 8 24" Deep Integral Bottom	EOA369624B	E00-3696-24B	320/145	8,000/12,000	8
Tier 8 36" Deep Integral Bottom	EOA369636B	E00-3696-36B	334/152	8,000/12,000	8
Tier 8 48" Deep Integral Bottom	EOA369648B	E00-3696-48B	358/162	8,000/12,000	8
Tier 15 12" Deep Integral Bottom	EOB369612B	E02-3696-12B	286/130	15,000/22,500	15
Tier 15 18" Deep Integral Bottom	EOB369618B	E02-3696-18B	298/135	15,000/22,500	15
Tier 15 24" Deep Integral Bottom	EOB369624B	E02-3696-24B	320/145	15,000/22,500	15
Tier 15 36" Deep Integral Bottom	EOB369636B	E02-3696-36B	334/152	15,000/22,500	15
Tier 15 48" Deep Integral Bottom	EOB369648B	E02-3696-48B	358/162	15,000/22,500	15
Tier 22 12" Deep Integral Bottom	EOC369612B	Special Number	286/130	22,500/33,750	22
Tier 22 18" Deep Integral Bottom	EOC369618B	Special Number	298/135	22,500/33,750	22
Tier 22 24" Deep Integral Bottom	EOC369624B	Special Number	320/145	22,500/33,750	22
Tier 22 36" Deep Integral Bottom	EOC369636B	Special Number	334/152	22,500/33,750	22
Tier 22 48" Deep Integral Bottom	EOC369648B	Special Number	358/162	22,500/33,750	22



# SPECIFICATIONS/DATA

## 36" X 96" CORRUGATED WALL STYLE ASSEMBLY

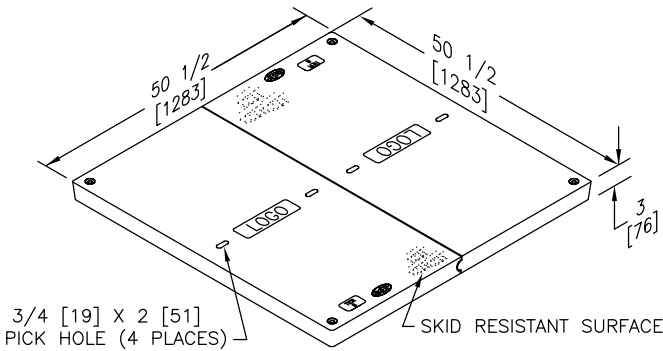
<b>BOXES</b> (With self-aligning corrosion resistant replaceable nuts)						
DESCRIPTION	Part No.	Old Catalog No.	DIM. A IN./mm.	WEIGHT# LBS./kg.	DESIGN/TEST LOAD#	ANSI TIER
Tier 8	B1A369630A	B10-3696-30	30/762	649/294	8,000/12,000	8
	B1A369636A	B10-3696-36	36/914	669/303	8,000/12,000	8
	B1A369648A	B10-3696-48	48/1219	709/322	8,000/12,000	8
Tier 15	B1B369630A	B12-3696-30	30/762	798/362	15,000/22,500	15
	B1B369636A	B12-3696-36	36/914	818/371	15,000/22,500	15
	B1B369648A	B12-3696-48	48/1219	858/389	15,000/22,500	15
Tier 22	B1C369630A	special number	30/762	798/362	22,500/33,750	22
	B1C369636A	special number	36/914	818/371	22,500/33,750	22
	B1C369648A	special number	48/1219	858/389	22,500/33,750	22
Tier 8 W/ Integral Bottom	B1A369630B	B10-3696-30B	30/762	704/319	8,000/12,000	8
	B1A369636B	B10-3696-36B	36/914	724/328	8,000/12,000	8
	B1A369648B	B10-3696-48B	48/1219	764/347	8,000/12,000	8
Tier 15 W/ Integral Bottom	B1B369630B	B12-3696-30B	30/762	853/387	15,000/22,500	15
	B1B369636B	B12-3696-36B	36/914	873/396	15,000/22,500	15
	B1B369648B	B12-3696-48B	48/1219	913/414	15,000/22,500	15
Tier 22 W/ Integral Bottom	B1C369630B	special number	30/762	853/387	22,500/33,750	22
	B1C369636B	special number	36/914	873/396	22,500/33,750	22
	B1C369648B	special number	48/1219	913/414	22,500/33,750	22

- Loadings comply with ANSI/SCTE 77 (See page 3 & 4)

<b>OPTIONAL SEPARATE BASE</b>			
DESCRIPTION	PART NO.	Old Catalog No.	WEIGHT# LBS./kg.
Separate bottom for boxes	X003696	_X00-3696	36/16

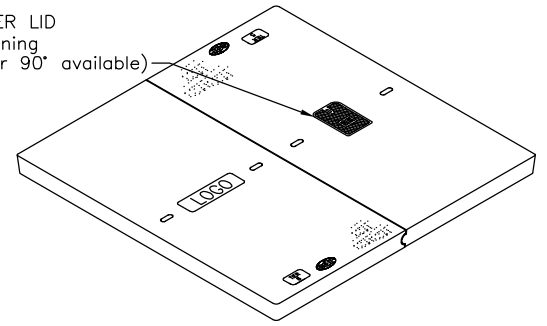
**SPECIFICATIONS/DATA**

**48" X 48" CORRUGATED WALL STYLE ASSEMBLY**



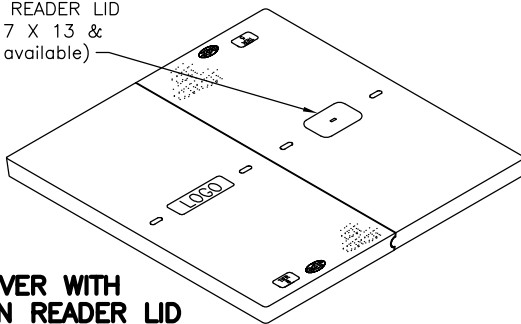
**2 PIECE COVER**

CAST IRON READER LID  
(4X6 or 6X9 opening  
over 90° or under 90° available)



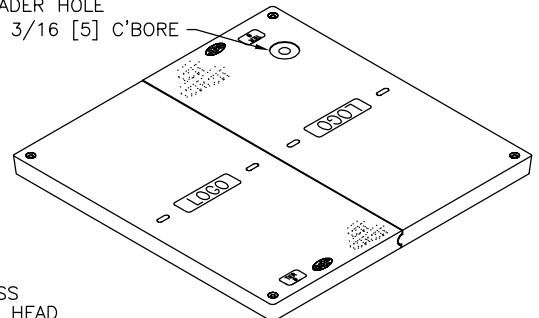
**COVER W/READER LID**

DROP IN READER LID  
(6 X 9, 7 X 13 &  
9 X 15 available)



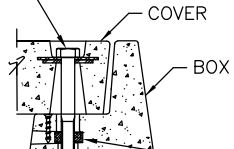
**COVER WITH  
DROP IN READER LID**

Ø2 [51] TOUCH READER HOLE  
w/Ø4 1/8 [105] X 3/16 [5] C'BORE



**COVER WITH  
TOUCH READER HOLE**

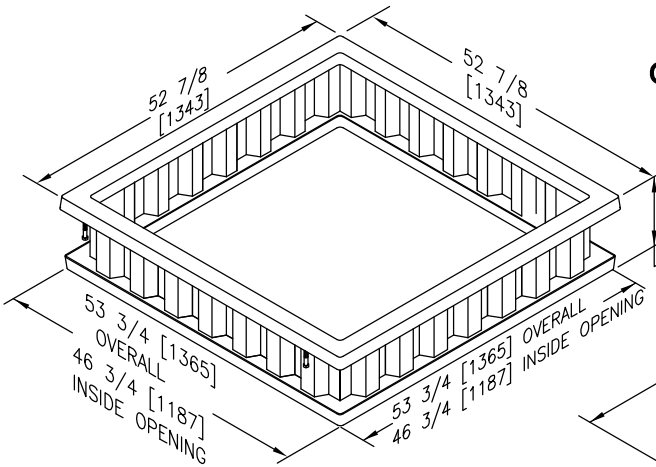
1/2-13 UNC SS  
CAPTIVE PENTA HEAD  
BOLT (4 PLACES)



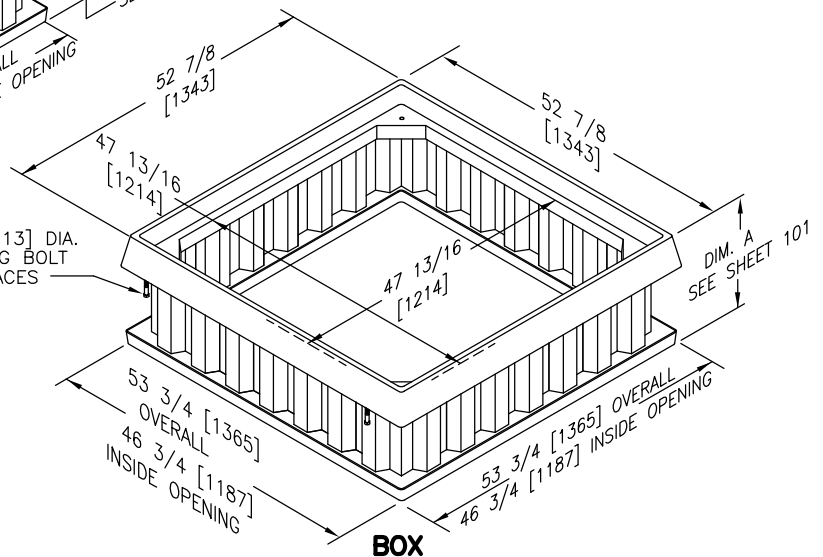
**CAPTIVE BOLT DETAIL**

HEX HEAD BOLTS ARE  
AVAILABLE ON REQUEST

SELF-CENTERING  
CORROSION  
RESISTANT NUT



**EXTENSION**



**BOX**

Dimensions in brackets are in millimeters

# SPECIFICATIONS/DATA

## 48" X 48" CORRUGATED WALL STYLE ASSEMBLY

<b>COVERS</b> Bolt down covers have S.S. Captive Penta Head Bolts [Blank unless logo is specified] (Hex Head Bolts are available – change 2nd digit in cover part no. to "2")					
DESCRIPTION	PART NO.	Old Catalog No.	WEIGHT# LBS./kg.	DESIGN/TEST LOAD#	ANSI TIER
Tier 8 w/4 Bolts	C10484803A	C10-4848-23	271/123	8,000/12,000	8
Tier 8 No Bolt Down	C00484803A	C00-4848-23	271/123	8,000/12,000	8
Tier 15 w/4 Bolts	C12484803A	C12-4848-23	345/156	15,000/22,500	15
Tier 15 No Bolt Down	C02484803A	C02-4848-23	345/156	15,000/22,500	15
Tier 22 w/4 Bolts	C16484803A	special number	345/156	22,500/33,750	22
Tier 22 No Bolt Down	C06484803A	special number	345/156	22,500/33,750	22
No Bolts w/4x6 Meter Lid (Over 90)	C08484803C	C00-4848-23C	281/127	5,000/7,500	5
Bolts w/4x6 Meter Lid (Over 90)	C18484803C	C10-4848-23C	281/127	5,000/7,500	5
No Bolts w/4x6 Meter Lid (Under 90)	C08484803D	C00-4848-23C	281/127	5,000/7,500	5
Bolts w/4x6 Meter Lid (Under 90)	C18484803D	C10-4848-23C	281/127	5,000/7,500	5
No Bolts w/6x9 Meter Lid (Over 90)	C08484803E	C00-4848-23C	281/127	5,000/7,500	5
Bolts w/6x9 Meter Lid (Over 90)	C18484803E	C10-4848-23C	281/127	5,000/7,500	5
No Bolts w/6x9 Meter Lid (Under 90)	C08484803F	C00-4848-23C	281/127	5,000/7,500	5
Bolts w/6x9 Meter Lid (Under 90)	C18484803F	C10-4848-23C	281/127	5,000/7,500	5
No Bolts w/Touch Reader Hole	C00484803P	C00-4848-23TR	271/123	8,000/12,000	8
Bolts w/Touch Reader Hole	C10484803P	C10-4848-23TR	271/123	8,000/12,000	8
No Bolts w/6x9 Drop In Reader Lid	C08484803T	C00-4848-23E	345/156	5,000/7,500	5
Bolts w/6x9 Drop In Reader Lid	C18484803T	C10-4848-23E	345/156	5,000/7,500	5
No Bolts w/7x13 Drop In Reader Lid	C08484803U	C00-4848-23E	345/156	5,000/7,500	5
Bolts w/7x13 Drop In Reader Lid	C18484803U	C10-4848-23E	345/156	5,000/7,500	5
No Bolts w/9x15 Drop In Reader Lid	C08484803V	C00-4848-23E	345/156	5,000/7,500	5
Bolts w/9x15 Drop In Reader Lid	C18484803V	C10-4848-23E	345/156	5,000/7,500	5

Covers must be used with equivalent tier boxes or higher (example a Tier 15 cover may not be used with Tier 8 box). One piece cover is available upon request.

<b>[Bottom Only] EXTENSION (Optional Knockouts or Terminators are available)</b>					
DESCRIPTION	PART NO.	Old Catalog No.	WEIGHT# LBS./kg.	DESIGN/TEST LOAD#	ANSI TIER
Tier 8 12" Deep	EOA484812A	E00-4848-12	240/109	8,000/12,000	8
Tier 8 18" Deep	EOA484818A	E00-4848-18	265/120	8,000/12,000	8
Tier 8 24" Deep	EOA484824A	E00-4848-24	290/132	8,000/12,000	8
Tier 15 12" Deep	EOB484812A	E02-4848-12	240/109	15,000/22,500	15
Tier 15 18" Deep	EOB484818A	E02-4848-18	265/120	15,000/22,500	15
Tier 15 24" Deep	EOB484824A	E02-4848-24	290/132	15,000/22,500	15
Tier 22 12" Deep	EOC484812A	Special Number	240/109	22,500/33,750	22
Tier 22 18" Deep	EOC484818A	Special Number	265/120	22,500/33,750	22
Tier 22 24" Deep	EOC484824A	Special Number	290/132	22,500/33,750	22
Tier 8 12" Deep Integral Bottom	EOA484812B	E00-4848-12B	276/125	8,000/12,000	8
Tier 8 18" Deep Integral Bottom	EOA484818B	E00-4848-18B	301/137	8,000/12,000	8
Tier 8 24" Deep Integral Bottom	EOA484824B	E00-4848-24B	326/148	8,000/12,000	8
Tier 15 12" Deep Integral Bottom	EOB484812B	E02-4848-12B	276/125	15,000/22,500	15
Tier 15 18" Deep Integral Bottom	EOB484818B	E02-4848-18B	301/137	15,000/22,500	15
Tier 15 24" Deep Integral Bottom	EOB484824B	E02-4848-24B	326/148	15,000/22,500	15
Tier 22 12" Deep Integral Bottom	EOC484812B	Special Number	276/125	22,500/33,750	22
Tier 22 18" Deep Integral Bottom	EOC484818B	Special Number	301/137	22,500/33,750	22
Tier 22 24" Deep Integral Bottom	EOC484824B	Special Number	326/148	22,500/33,750	22



# SPECIFICATIONS/DATA

48" X 48" CORRUGATED WALL STYLE ASSEMBLY

BOXES (With self-aligning corrosion resistant replaceable nuts)						
DESCRIPTION	Part No.	Old Catalog No.	DIM. A IN./mm.	WEIGHT# LBS./kg.	DESIGN/TEST LOAD#	ANSI TIER
Tier 8	B1A484818A	B10-4848-18	18/457	262/119	8,000/12,000	8
	B1A484824A	B10-4848-24	24/610	275/125	8,000/12,000	8
	B1A484830A	B10-4848-30	30/762	288/131	8,000/12,000	8
	B1A484836A	B10-4848-36	36/914	301/137	8,000/12,000	8
	B1A484848A	B10-4848-48	48/1219	327/148	8,000/12,000	8
Tier 15	B1B484818A	B12-4848-18	18/457	291/132	15,000/22,500	15
	B1B484824A	B12-4848-24	24/610	304/138	15,000/22,500	15
	B1B484830A	B12-4848-30	30/762	317/144	15,000/22,500	15
	B1B484836A	B12-4848-36	36/914	330/150	15,000/22,500	15
	B1B484848A	B12-4848-48	48/1219	356/161	15,000/22,500	15
Tier 22	B1C484818A	special number	18/457	291/132	22,500/33,750	22
	B1C484824A	special number	24/610	304/138	22,500/33,750	22
	B1C484830A	special number	30/762	317/144	22,500/33,750	22
	B1C484836A	special number	36/914	330/150	22,500/33,750	22
	B1C484848A	special number	48/1219	356/161	22,500/33,750	22
Tier 8 W/ Integral Bottom	B1A484818B	B10-4848-18B	18/457	298/135	8,000/12,000	8
	B1A484824B	B10-4848-24B	24/610	311/141	8,000/12,000	8
	B1A484830B	B10-4848-30B	30/762	324/147	8,000/12,000	8
	B1A484836B	B10-4848-36B	36/914	337/153	8,000/12,000	8
	B1A484848B	B10-4848-48B	48/1219	363/165	8,000/12,000	8
Tier 15 W/ Integral Bottom	B1B484818B	B12-4848-18B	18/457	327/148	15,000/22,500	15
	B1B484824B	B12-4848-24B	24/610	340/154	15,000/22,500	15
	B1B484830B	B12-4848-30B	30/762	353/160	15,000/22,500	15
	B1B484836B	B12-4848-36B	36/914	366/166	15,000/22,500	15
	B1B484848B	B12-4848-48B	48/1219	392/179	15,000/22,500	15
Tier 22 W/ Integral Bottom	B1C484818B	special number	18/457	327/148	22,500/33,750	22
	B1C484824B	special number	24/610	340/154	22,500/33,750	22
	B1C484830B	special number	30/762	353/160	22,500/33,750	22
	B1C484836B	special number	36/914	366/166	22,500/33,750	22
	B1C484848B	special number	48/1219	392/179	22,500/33,750	22

\*Boxes 30, 36 and 48" deep may be made as Adust-To-Grade by replacing B with letter G (example: G1A484830A)

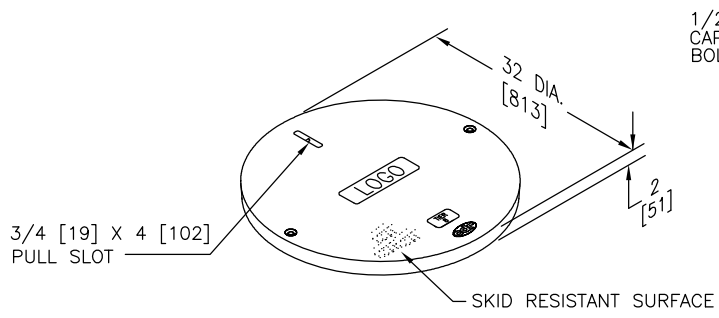
● Loadings comply with ANSI/SCTE 77 (See page 3 & 4)

OPTIONAL SEPARATE BASE			
DESCRIPTION	PART NO.	Old Catalog No.	WEIGHT# LBS./kg.
Separate bottom for boxes	X004848	_X00-4848	36/16

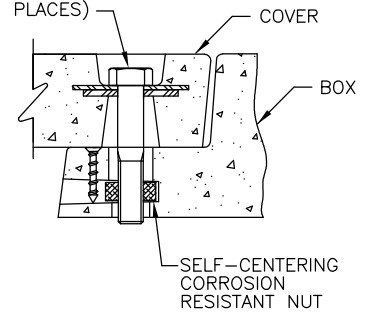


# SPECIFICATIONS/DATA

## 48" X 48" ROUND COVER STYLE ASSEMBLY

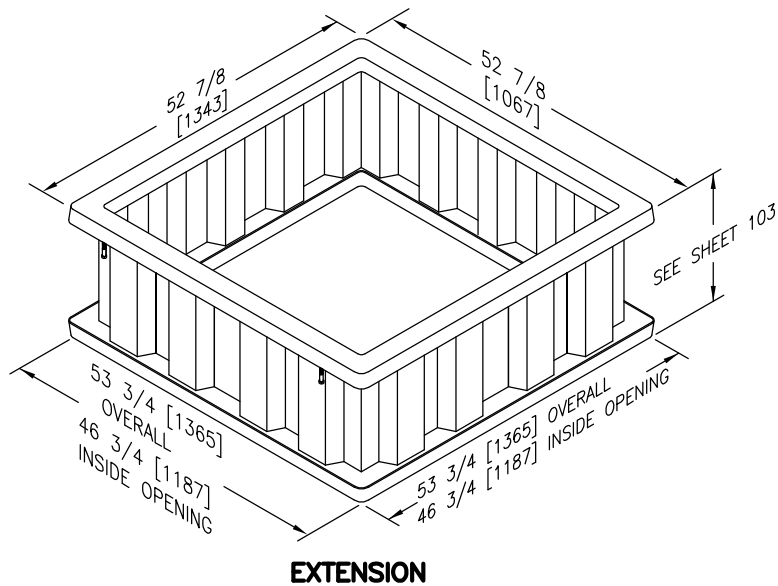
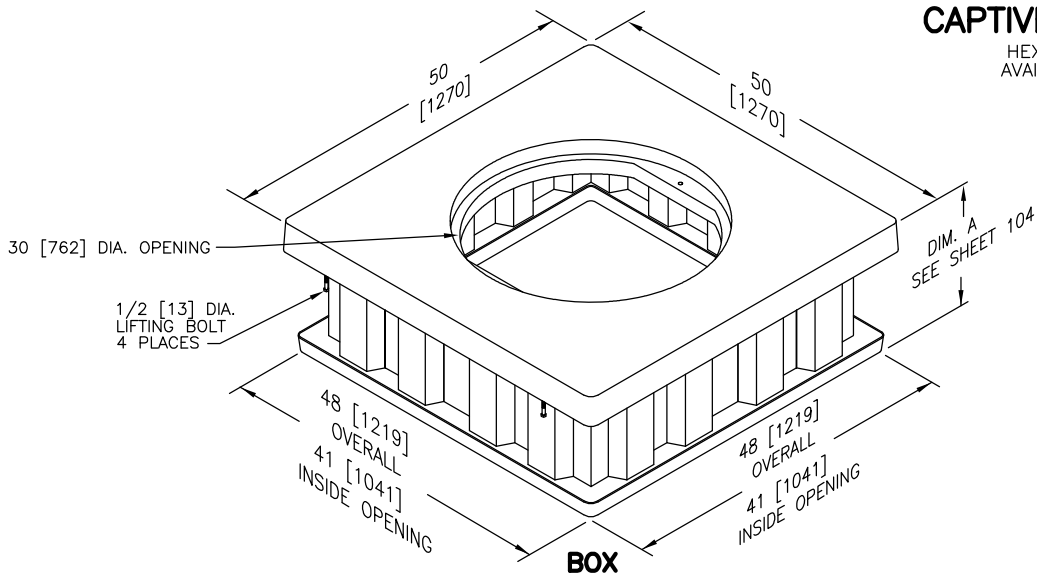


1/2-13 UNC SS CAPTIVE PENTA HEAD BOLT (2 PLACES)



### CAPTIVE BOLT DETAIL

HEX HEAD BOLTS ARE AVAILABLE ON REQUEST



Dimensions in brackets are in millimeters





# SPECIFICATIONS/DATA

## 48" X 48" ROUND COVER STYLE ASSEMBLY

**COVERS** Bolt down covers have S.S. Captive Penta Head Bolts [Blank unless logo is specified]  
(Hex Head Bolts are available – change 2nd digit in cover part no. to "2")

DESCRIPTION	PART NO.	Old Catalog No.	WEIGHT# LBS./kg.	DESIGN/TEST LOAD#	ANSI TIER
Tier 8 w/2 Bolts	C10320002A	C10-3200-02	90/41	8,000/12,000	8
Tier 8 No Bolt Down	C00320002A	C00-3200-02	90/41	8,000/12,000	8
Tier 15 w/2 Bolts	C12320002A	C12-3200-02	105/48	15,000/22,500	15
Tier 15 No Bolt Down	C02320002A	C02-3200-02	105/48	15,000/22,500	15
Tier 22 w/2 Bolts	C16320002A	special number	105/48	22,500/33,750	22
Tier 22 No Bolt Down	C06320002A	special number	105/48	22,500/33,750	22

Covers must be used with equivalent tier boxes or higher (example a Tier 15 cover may not be used with Tier 8 box).  
One piece cover is available upon request.

[Bottom Only] **EXTENSION** (Optional Knockouts or Terminators are available)

DESCRIPTION	PART NO.	Old Catalog No.	WEIGHT# LBS./kg.	DESIGN/TEST LOAD#	ANSI TIER
Tier 8 12" Deep	EOA484812A	E00-4848-12	240/109	8,000/12,000	8
Tier 8 18" Deep	EOA484818A	E00-4848-18	265/120	8,000/12,000	8
Tier 8 24" Deep	EOA484824A	E00-4848-24	290/132	8,000/12,000	8
Tier 15 12" Deep	EOB484812A	E02-4848-12	240/109	15,000/22,500	15
Tier 15 18" Deep	EOB484818A	E02-4848-18	265/120	15,000/22,500	15
Tier 15 24" Deep	EOB484824A	E02-4848-24	290/132	15,000/22,500	15
Tier 22 12" Deep	EOC484812A	Special Number	240/109	22,500/33,750	22
Tier 22 18" Deep	EOC484818A	Special Number	265/120	22,500/33,750	22
Tier 22 24" Deep	EOC484824A	Special Number	290/132	22,500/33,750	22
Tier 8 12" Deep Integral Bottom	EOA484812B	E00-4848-12B	276/125	8,000/12,000	8
Tier 8 18" Deep Integral Bottom	EOA484818B	E00-4848-18B	301/137	8,000/12,000	8
Tier 8 24" Deep Integral Bottom	EOA484824B	E00-4848-24B	326/148	8,000/12,000	8
Tier 15 12" Deep Integral Bottom	EOB484812B	E02-4848-12B	276/125	15,000/22,500	15
Tier 15 18" Deep Integral Bottom	EOB484818B	E02-4848-18B	301/137	15,000/22,500	15
Tier 15 24" Deep Integral Bottom	EOB484824B	E02-4848-24B	326/148	15,000/22,500	15
Tier 22 12" Deep Integral Bottom	EOC484812B	Special Number	276/125	22,500/33,750	22
Tier 22 18" Deep Integral Bottom	EOC484818B	Special Number	301/137	22,500/33,750	22
Tier 22 24" Deep Integral Bottom	EOC484824B	Special Number	326/148	22,500/33,750	22





# SPECIFICATIONS/DATA

## 48" X 48" ROUND COVER STYLE ASSEMBLY

BOXES (With self-aligning corrosion resistant replaceable nuts)						
DESCRIPTION	Part No.	Old Catalog No.	DIM. A IN./mm.	WEIGHT# LBS./kg.	DESIGN/TEST LOAD#	ANSI TIER
Tier 8	B1A484818R	B10-4848-18RC	18/457	700/318	8,000/12,000	8
	B1A484824R	B10-4848-24RC	24/610	710/322	8,000/12,000	8
	B1A484830R	B10-4848-30RC	30/762	720/327	8,000/12,000	8
	B1A484836R	B10-4848-36RC	36/914	730/331	8,000/12,000	8
	B1A484848R	B10-4848-48RC	48/1219	750/340	8,000/12,000	8
Tier 15	B1B484818R	B12-4848-18RC	18/457	705/320	15,000/22,500	15
	B1B484824R	B12-4848-24RC	24/610	715/324	15,000/22,500	15
	B1B484830R	B12-4848-30RC	30/762	725/329	15,000/22,500	15
	B1B484836R	B12-4848-36RC	36/914	735/333	15,000/22,500	15
	B1B484848R	B12-4848-48RC	48/1219	755/342	15,000/22,500	15
Tier 22	B1C484818R	Special Number	18/457	705/320	22,500/33,750	22
	B1C484824R	Special Number	24/610	715/324	22,500/33,750	22
	B1C484830R	Special Number	30/762	725/329	22,500/33,750	22
	B1C484836R	Special Number	36/914	735/333	22,500/33,750	22
	B1C484848R	Special Number	48/1219	755/342	22,500/33,750	22
Tier 8 W/ Integral Bottom	B1A4848500	B10-4848-18RCB	18/457	736/318	8,000/12,000	8
	B1A4848501	B10-4848-24RCB	24/610	746/322	8,000/12,000	8
	B1A4848504	B10-4848-30RCB	30/762	756/327	8,000/12,000	8
	B1A4848502	B10-4848-36RCB	36/914	766/331	8,000/12,000	8
	B1A4848503	B10-4848-48RCB	48/1219	786/340	8,000/12,000	8
Tier 15 W/ Integral Bottom	B1B4848500	B12-4848-18RCB	18/457	741/320	15,000/22,500	15
	B1B4848501	B12-4848-24RCB	24/610	751/324	15,000/22,500	15
	B1B4848504	B12-4848-30RCB	30/762	761/329	15,000/22,500	15
	B1B4848502	B12-4848-36RCB	36/914	771/333	15,000/22,500	15
	B1B4848503	B12-4848-48RCB	48/1219	791/342	15,000/22,500	15
Tier 22 W/ Integral Bottom	B1C4848500	Special Number	18/457	741/320	22,500/33,750	22
	B1C4848501	Special Number	24/610	751/324	22,500/33,750	22
	B1C4848504	Special Number	30/762	761/329	22,500/33,750	22
	B1C4848502	Special Number	36/914	771/333	22,500/33,750	22
	B1C4848503	Special Number	48/1219	791/342	22,500/33,750	22

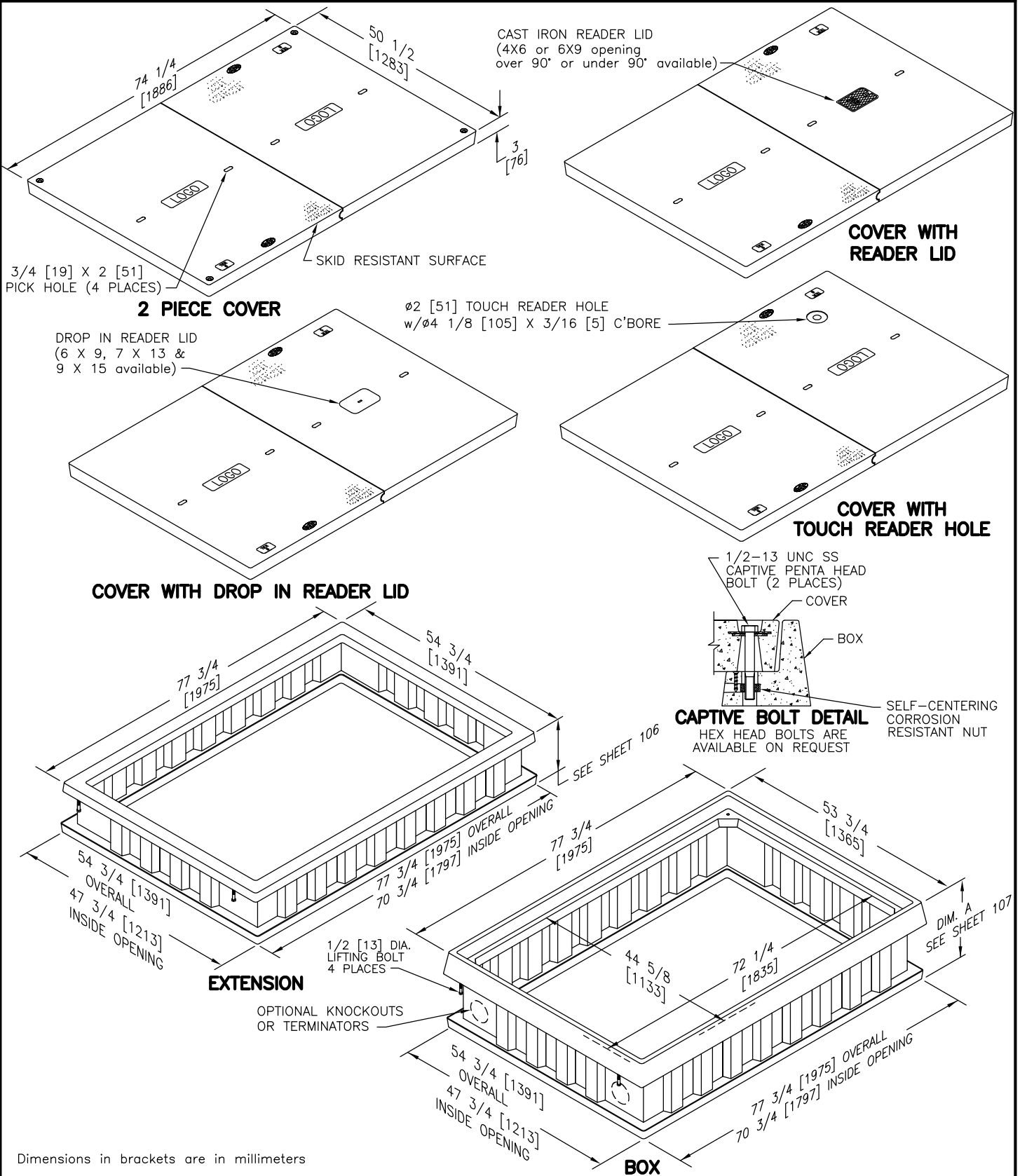
\*Boxes 30, 36 and 48" deep may be made as Adust-To-Grade by replacing B with letter G (example: G1A484830A)

● Loadings comply with ANSI/SCTE 77 (See page 3 & 4)

OPTIONAL SEPARATE BASE			
DESCRIPTION	PART NO.	Old Catalog No.	WEIGHT# LBS./kg.
Separate bottom for boxes	X004848	_X00-4848RC	36/16

# SPECIFICATIONS/DATA

## 48" X 72" CORRUGATED WALL STYLE ASSEMBLY



# SPECIFICATIONS/DATA

## 48" X 72" CORRUGATED WALL STYLE ASSEMBLY

**COVERS** Bolt down covers have S.S. Captive Penta Head Bolts [Blank unless logo is specified]  
(Hex Head Bolts are available – change 2nd digit in cover part no. to "2")

DESCRIPTION	PART NO.	Old Catalog No.	WEIGHT# LBS./kg.	DESIGN/TEST LOAD#	ANSI TIER
Tier 8 w/4 Bolts	C10487203A	C10-4872-23	294/133	8,000/12,000	8
Tier 8 No Bolt Down	C00487203A	C00-4872-23	294/133	8,000/12,000	8
Tier 15 w/4 Bolts	C12487203A	C12-4872-23	368/167	15,000/22,500	15
Tier 15 No Bolt Down	C02487203A	C02-4872-23	368/167	15,000/22,500	15
Tier 22 w/4 Bolts	C16487203A	special number	368/167	22,500/33,750	22
Tier 22 No Bolt Down	C06487203A	special number	368/167	22,500/33,750	22
No Bolts w/4x6 Meter Lid (Over 90)	C08487203C	C00-4872-23C	304/138	5,000/7,500	5
Bolts w/4x6 Meter Lid (Over 90)	C18487203C	C10-4872-23C	304/138	5,000/7,500	5
No Bolts w/4x6 Meter Lid (Under 90)	C08487203D	C00-4872-23C	304/138	5,000/7,500	5
Bolts w/4x6 Meter Lid (Under 90)	C18487203D	C10-4872-23C	304/138	5,000/7,500	5
No Bolts w/6x9 Meter Lid (Over 90)	C08487203E	C00-4872-23C	304/138	5,000/7,500	5
Bolts w/6x9 Meter Lid (Over 90)	C18487203E	C10-4872-23C	304/138	5,000/7,500	5
No Bolts w/6x9 Meter Lid (Under 90)	C08487203F	C00-4872-23C	304/138	5,000/7,500	5
Bolts w/6x9 Meter Lid (Under 90)	C18487203F	C10-4872-23C	304/138	5,000/7,500	5
No Bolts w/Touch Reader Hole	C00487203P	C00-4872-23TR	294/133	8,000/12,000	8
Bolts w/Touch Reader Hole	C10487203P	C10-4872-23TR	294/133	8,000/12,000	8
No Bolts w/6x9 Drop In Reader Lid	C08487203T	C00-4872-23E	368/167	5,000/7,500	5
Bolts w/6x9 Drop In Reader Lid	C18487203T	C10-4872-23E	368/167	5,000/7,500	5
No Bolts w/7x13 Drop In Reader Lid	C08487203U	C00-4872-23E	368/167	5,000/7,500	5
Bolts w/7x13 Drop In Reader Lid	C18487203U	C10-4872-23E	368/167	5,000/7,500	5
No Bolts w/9x15 Drop In Reader Lid	C08487203V	C00-4872-23E	368/167	5,000/7,500	5
Bolts w/9x15 Drop In Reader Lid	C18487203V	C10-4872-23E	368/167	5,000/7,500	5

Covers must be used with equivalent tier boxes or higher (example a Tier 15 cover may not be used with Tier 8 box). One piece cover is available upon request.

[Bottom Only] **EXTENSION** (Optional Knockouts or Terminators are available)

DESCRIPTION	PART NO.	Old Catalog No.	WEIGHT# LBS./kg.	DESIGN/TEST LOAD#	ANSI TIER
Tier 8 12" Deep	E0A487212A	E00-4872-12	240/109	8,000/12,000	8
Tier 8 18" Deep	E0A487218A	E00-4872-18	265/120	8,000/12,000	8
Tier 8 24" Deep	E0A487224A	E00-4872-24	290/132	8,000/12,000	8
Tier 8 36" Deep	E0A487236A	E00-4872-36	310/141	8,000/12,000	8
Tier 15 12" Deep	E0B487212A	E02-4872-12	240/109	15,000/22,500	15
Tier 15 18" Deep	E0B487218A	E02-4872-18	265/120	15,000/22,500	15
Tier 15 24" Deep	E0B487224A	E02-4872-24	290/132	15,000/22,500	15
Tier 15 36" Deep	E0B487236A	E02-4872-36	310/141	15,000/22,500	15
Tier 22 12" Deep	E0C487212A	Special Number	240/109	22,500/33,750	22
Tier 22 18" Deep	E0C487218A	Special Number	265/120	22,500/33,750	22
Tier 22 24" Deep	E0C487224A	Special Number	290/132	22,500/33,750	22
Tier 22 36" Deep	E0C487236A	Special Number	310/141	22,500/33,750	22
Tier 8 12" Deep Integral Bottom	E0A487212B	E00-4872-12B	276/125	8,000/12,000	8
Tier 8 18" Deep Integral Bottom	E0A487218B	E00-4872-18B	301/137	8,000/12,000	8
Tier 8 24" Deep Integral Bottom	E0A487224B	E00-4872-24B	326/148	8,000/12,000	8
Tier 8 36" Deep Integral Bottom	E0A487236B	E00-4872-36B	346/157	8,000/12,000	8
Tier 15 12" Deep Integral Bottom	E0B487212B	E02-4872-12B	276/125	15,000/22,500	15
Tier 15 18" Deep Integral Bottom	E0B487218B	E02-4872-18B	301/137	15,000/22,500	15
Tier 15 24" Deep Integral Bottom	E0B487224B	E02-4872-24B	326/148	15,000/22,500	15
Tier 15 36" Deep Integral Bottom	E0B487236B	E02-4872-36B	346/157	15,000/22,500	15
Tier 22 12" Deep Integral Bottom	E0C487212B	Special Number	276/125	22,500/33,750	22
Tier 22 18" Deep Integral Bottom	E0C487218B	Special Number	301/137	22,500/33,750	22
Tier 22 24" Deep Integral Bottom	E0C487224B	Special Number	326/148	22,500/33,750	22
Tier 22 36" Deep Integral Bottom	E0C487236B	Special Number	346/157	22,500/33,750	22





# SPECIFICATIONS/DATA

## 48" X 72" CORRUGATED WALL STYLE ASSEMBLY

BOXES (With self-aligning corrosion resistant replaceable nuts)						
DESCRIPTION	Part No.	Old Catalog No.	DIM. A IN./mm.	WEIGHT# LBS./kg.	DESIGN/TEST LOAD#	ANSI TIER
Tier 8	B1A487218A	B10-4872-18	18/457	348/158	8,000/12,000	8
	B1A487224A	B10-4872-24	24/610	364/165	8,000/12,000	8
	B1A487230A	B10-4872-30	30/762	380/172	8,000/12,000	8
	B1A487236A	B10-4872-36	36/914	396/180	8,000/12,000	8
	B1A487248A	B10-4872-48	48/1219	428/194	8,000/12,000	8
Tier 15	B1B487218A	B12-4872-18	18/457	387/176	15,000/22,500	15
	B1B487224A	B12-4872-24	24/610	403/183	15,000/22,500	15
	B1B487230A	B12-4872-30	30/762	419/190	15,000/22,500	15
	B1B487236A	B12-4872-36	36/914	435/197	15,000/22,500	15
	B1B487248A	B12-4872-48	48/1219	467/211	15,000/22,500	15
Tier 22	B1C487218A	special number	18/457	387/176	22,500/33,750	22
	B1C487224A	special number	24/610	403/183	22,500/33,750	22
	B1C487230A	special number	30/762	419/190	22,500/33,750	22
	B1C487236A	special number	36/914	435/197	22,500/33,750	22
	B1C487248A	special number	48/1219	467/211	22,500/33,750	22
Tier 8 W/ Integral Bottom	B1A487218B	B10-4872-18B	18/457	384/174	8,000/12,000	8
	B1A487224B	B10-4872-24B	24/610	400/181	8,000/12,000	8
	B1A487230B	B10-4872-30B	30/762	416/189	8,000/12,000	8
	B1A487236B	B10-4872-36B	36/914	432/196	8,000/12,000	8
	B1A487248B	B10-4872-48B	48/1219	464/210	8,000/12,000	8
Tier 15 W/ Integral Bottom	B1B487218B	B12-4872-18B	18/457	423/192	15,000/22,500	15
	B1B487224B	B12-4872-24B	24/610	439/199	15,000/22,500	15
	B1B487230B	B12-4872-30B	30/762	455/206	15,000/22,500	15
	B1B487236B	B12-4872-36B	36/914	471/214	15,000/22,500	15
	B1B487248B	B12-4872-48B	48/1219	503/228	15,000/22,500	15
Tier 22 W/ Integral Bottom	B1C487218B	special number	18/457	423/192	22,500/33,750	22
	B1C487224B	special number	24/610	439/199	22,500/33,750	22
	B1C487230B	special number	30/762	455/206	22,500/33,750	22
	B1C487236B	special number	36/914	471/214	22,500/33,750	22
	B1C487248B	special number	48/1219	503/228	22,500/33,750	22

\*Boxes 30, 36 and 48" deep may be made as Adust-To-Grade by replacing B with letter G (example: G1A487230A)

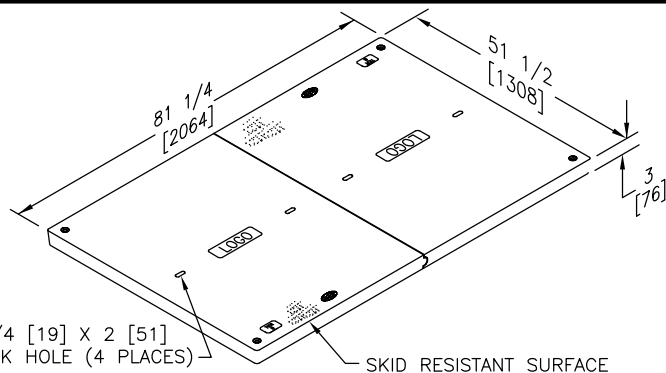
•Loadings comply with ANSI/SCTE 77 (See page 3 & 4)

OPTIONAL SEPARATE BASE			
DESCRIPTION	PART NO.	Old Catalog No.	WEIGHT# LBS./kg.
Separate bottom for boxes	X004872	_X00-4872	36/16



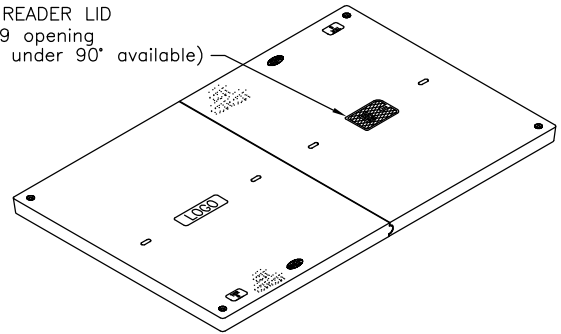
# SPECIFICATIONS/DATA

## 48" X 78" CORRUGATED WALL STYLE ASSEMBLY



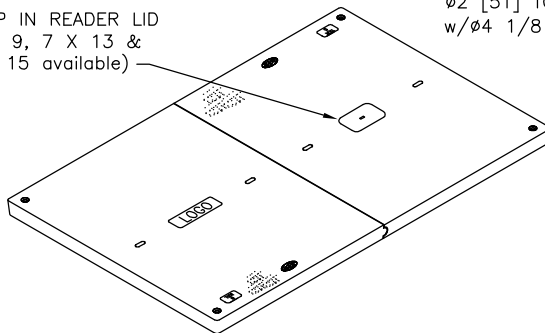
**2 PIECE COVER**

CAST IRON READER LID  
(4X6 or 6X9 opening  
over 90° or under 90° available)



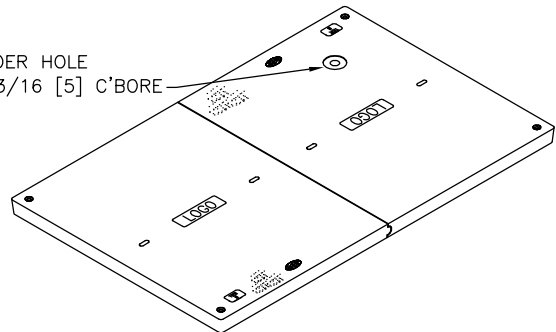
**COVER WITH READER LID**

DROP IN READER LID  
(6 X 9, 7 X 13 &  
9 X 15 available)



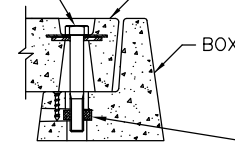
**COVER WITH DROP IN READER LID**

Ø2 [51] TOUCH READER HOLE  
w/Ø4 1/8 [105] X 3/16 [5] C'BORE



**COVER WITH TOUCH READER HOLE**

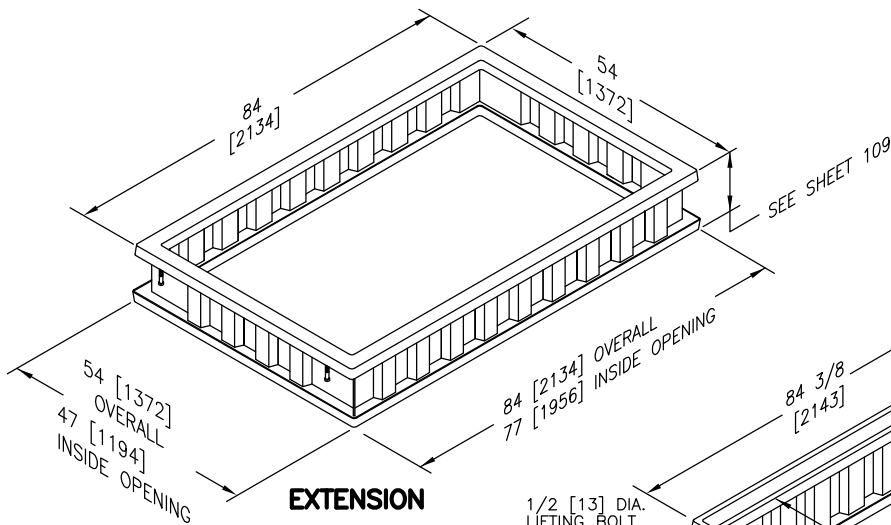
1/2-13 UNC SS  
CAPTIVE PENTA HEAD  
BOLT (2 PLACES)



**CAPTIVE BOLT DETAIL**

HEX HEAD BOLTS ARE  
AVAILABLE ON REQUEST

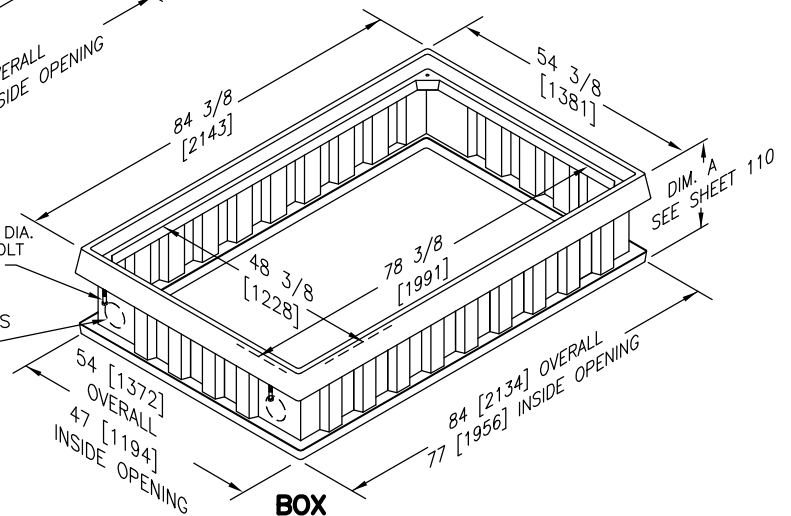
SELF-CENTERING  
CORROSION  
RESISTANT NUT



**EXTENSION**

1/2 [13] DIA.  
LIFTING BOLT  
4 PLACES

OPTIONAL KNOCKOUTS  
OR TERMINATORS



**BOX**

Dimensions in brackets are in millimeters



# SPECIFICATIONS/DATA

## 48" X 78" CORRUGATED WALL STYLE ASSEMBLY

**COVERS** Bolt down covers have S.S. Captive Penta Head Bolts [Blank unless logo is specified]  
(Hex Head Bolts are available – change 2nd digit in cover part no. to "2")

DESCRIPTION	PART NO.	Old Catalog No.	WEIGHT# LBS./kg.	DESIGN/TEST LOAD#	ANSI TIER
Tier 8 w/4 Bolts	C10487803A	C10-4878-23	320/145	8,000/12,000	8
Tier 8 No Bolt Down	C00487803A	C00-4878-23	320/145	8,000/12,000	8
Tier 15 w/4 Bolts	C12487803A	C12-4878-23	400/181	15,000/22,500	15
Tier 15 No Bolt Down	C02487803A	C02-4878-23	400/181	15,000/22,500	15
Tier 22 w/4 Bolts	C16487803A	special number	400/181	22,500/33,750	22
Tier 22 No Bolt Down	C06487803A	special number	400/181	22,500/33,750	22
No Bolts w/4x6 Meter Lid (Over 90)	C08487803C	C00-4878-23C	330/150	5,000/7,500	5
Bolts w/4x6 Meter Lid (Over 90)	C18487803C	C10-4878-23C	330/150	5,000/7,500	5
No Bolts w/4x6 Meter Lid (Under 90)	C08487803D	C00-4878-23C	330/150	5,000/7,500	5
Bolts w/4x6 Meter Lid (Under 90)	C18487803D	C10-4878-23C	330/150	5,000/7,500	5
No Bolts w/6x9 Meter Lid (Over 90)	C08487803E	C00-4878-23C	330/150	5,000/7,500	5
Bolts w/6x9 Meter Lid (Over 90)	C18487803E	C10-4878-23C	330/150	5,000/7,500	5
No Bolts w/6x9 Meter Lid (Under 90)	C08487803F	C00-4878-23C	330/150	5,000/7,500	5
Bolts w/6x9 Meter Lid (Under 90)	C18487803F	C10-4878-23C	330/150	5,000/7,500	5
No Bolts w/Touch Reader Hole	C00487803P	C00-4878-23TR	320/145	8,000/12,000	8
Bolts w/Touch Reader Hole	C10487803P	C10-4878-23TR	320/145	8,000/12,000	8
No Bolts w/6x9 Drop In Reader Lid	C08487803T	C00-4878-23E	400/181	5,000/7,500	5
Bolts w/6x9 Drop In Reader Lid	C18487803T	C10-4878-23E	400/181	5,000/7,500	5
No Bolts w/7x13 Drop In Reader Lid	C08487803U	C00-4878-23E	400/181	5,000/7,500	5
Bolts w/7x13 Drop In Reader Lid	C18487803U	C10-4878-23E	400/181	5,000/7,500	5
No Bolts w/9x15 Drop In Reader Lid	C08487803V	C00-4878-23E	400/181	5,000/7,500	5
Bolts w/9x15 Drop In Reader Lid	C18487803V	C10-4878-23E	400/181	5,000/7,500	5

Covers must be used with equivalent tier boxes or higher (example a Tier 15 cover may not be used with Tier 8 box).  
One piece cover is available upon request.

[Bottom Only] **EXTENSION** (Optional Knockouts or Terminators are available)

DESCRIPTION	PART NO.	Old Catalog No.	WEIGHT# LBS./kg.	DESIGN/TEST LOAD#	ANSI TIER
Tier 8 12" Deep	E0A487812A	E00-4878-12	275/125	8,000/12,000	8
Tier 8 18" Deep	E0A487818A	E00-4878-18	294/133	8,000/12,000	8
Tier 8 24" Deep	E0A487824A	E00-4878-24	312/142	8,000/12,000	8
Tier 8 36" Deep	E0A487836A	E00-4878-36	331/150	8,000/12,000	8
Tier 15 12" Deep	E0B487812A	E02-4878-12	275/125	15,000/22,500	15
Tier 15 18" Deep	E0B487818A	E02-4878-18	294/133	15,000/22,500	15
Tier 15 24" Deep	E0B487824A	E02-4878-24	312/142	15,000/22,500	15
Tier 15 36" Deep	E0B487836A	E02-4878-36	331/150	15,000/22,500	15
Tier 22 12" Deep	E0C487812A	Special Number	275/125	22,500/33,750	22
Tier 22 18" Deep	E0C487818A	Special Number	294/133	22,500/33,750	22
Tier 22 24" Deep	E0C487824A	Special Number	312/142	22,500/33,750	22
Tier 22 36" Deep	E0C487836A	Special Number	331/150	22,500/33,750	22
Tier 8 12" Deep Integral Bottom	E0A487812B	E00-4878-12B	325/147	8,000/12,000	8
Tier 8 18" Deep Integral Bottom	E0A487818B	E00-4878-18B	344/156	8,000/12,000	8
Tier 8 24" Deep Integral Bottom	E0A487824B	E00-4878-24B	362/164	8,000/12,000	8
Tier 8 36" Deep Integral Bottom	E0A487836B	E00-4878-36B	381/173	8,000/12,000	8
Tier 15 12" Deep Integral Bottom	E0B487812B	E02-4878-12B	325/147	15,000/22,500	15
Tier 15 18" Deep Integral Bottom	E0B487818B	E02-4878-18B	344/156	15,000/22,500	15
Tier 15 24" Deep Integral Bottom	E0B487824B	E02-4878-24B	362/164	15,000/22,500	15
Tier 15 36" Deep Integral Bottom	E0B487836B	E02-4878-36B	381/173	15,000/22,500	15
Tier 22 12" Deep Integral Bottom	E0C487812B	Special Number	325/147	22,500/33,750	22
Tier 22 18" Deep Integral Bottom	E0C487818B	Special Number	344/156	22,500/33,750	22
Tier 22 24" Deep Integral Bottom	E0C487824B	Special Number	362/164	22,500/33,750	22
Tier 22 36" Deep Integral Bottom	E0C487836B	Special Number	381/173	22,500/33,750	22



# SPECIFICATIONS/DATA

## 48" X 78" CORRUGATED WALL STYLE ASSEMBLY

BOXES (With self-aligning corrosion resistant replaceable nuts)						
DESCRIPTION	Part No.	Old Catalog No.	DIM. A IN./mm.	WEIGHT# LBS./kg.	DESIGN/TEST LOAD#	ANSI TIER
Tier 8	B1A487818A	B10-4878-18	18/457	384/174	8,000/12,000	8
	B1A487824A	B10-4878-24	24/610	400/181	8,000/12,000	8
	B1A487830A	B10-4878-30	30/762	415/188	8,000/12,000	8
	B1A487836A	B10-4878-36	36/914	431/196	8,000/12,000	8
	B1A487848A	B10-4878-48	48/1219	463/210	8,000/12,000	8
Tier 15	B1B487818A	B12-4878-18	18/457	423/192	15,000/22,500	15
	B1B487824A	B12-4878-24	24/610	439/199	15,000/22,500	15
	B1B487830A	B12-4878-30	30/762	454/206	15,000/22,500	15
	B1B487836A	B12-4878-36	36/914	470/213	15,000/22,500	15
	B1B487848A	B12-4878-48	48/1219	502/228	15,000/22,500	15
Tier 22	B1C487818A	special number	18/457	423/192	22,500/33,750	22
	B1C487824A	special number	24/610	439/199	22,500/33,750	22
	B1C487830A	special number	30/762	454/206	22,500/33,750	22
	B1C487836A	special number	36/914	470/213	22,500/33,750	22
	B1C487848A	special number	48/1219	502/228	22,500/33,750	22
Tier 8 W/ Integral Bottom	B1A487818B	B10-4878-18B	18/457	434/197	8,000/12,000	8
	B1A487824B	B10-4878-24B	24/610	450/204	8,000/12,000	8
	B1A487830B	B10-4878-30B	30/762	465/211	8,000/12,000	8
	B1A487836B	B10-4878-36B	36/914	481/218	8,000/12,000	8
	B1A487848B	B10-4878-48B	48/1219	513/233	8,000/12,000	8
Tier 15 W/ Integral Bottom	B1B487818B	B12-4878-18B	18/457	473/215	15,000/22,500	15
	B1B487824B	B12-4878-24B	24/610	489/222	15,000/22,500	15
	B1B487830B	B12-4878-30B	30/762	504/229	15,000/22,500	15
	B1B487836B	B12-4878-36B	36/914	520/236	15,000/22,500	15
	B1B487848B	B12-4878-48B	48/1219	552/250	15,000/22,500	15
Tier 22 W/ Integral Bottom	B1C487818B	special number	18/457	473/215	22,500/33,750	22
	B1C487824B	special number	24/610	489/222	22,500/33,750	22
	B1C487830B	special number	30/762	504/229	22,500/33,750	22
	B1C487836B	special number	36/914	520/236	22,500/33,750	22
	B1C487848B	special number	48/1219	552/250	22,500/33,750	22

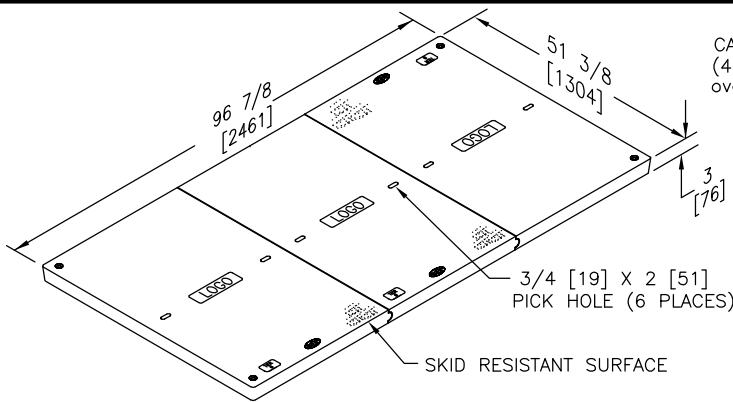
\*Boxes 30, 36 and 48" deep may be made as Adust-To-Grade by replacing B with letter G (example: G1A487830A)

- Loadings comply with ANSI/SCTE 77 (See page 3 & 4)

OPTIONAL SEPARATE BASE			
DESCRIPTION	PART NO.	Old Catalog No.	WEIGHT# LBS./kg.
Separate bottom for boxes	X004878	_X00-4878	50/23

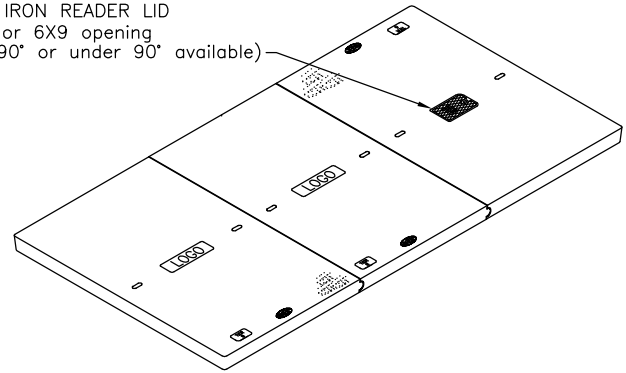
# SPECIFICATIONS/DATA

## 48" X 96" CORRUGATED WALL STYLE ASSEMBLY



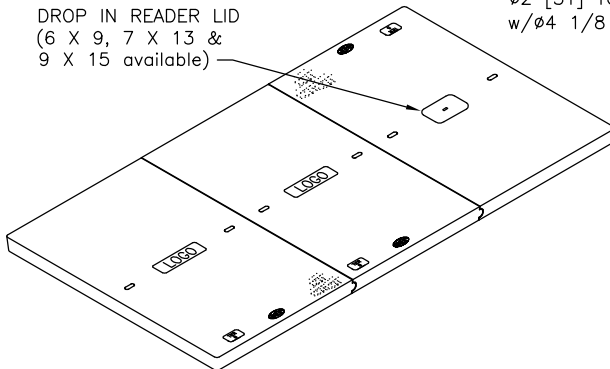
**3 PIECE COVER**

CAST IRON READER LID  
(4X6 or 6X9 opening  
over 90° or under 90° available)



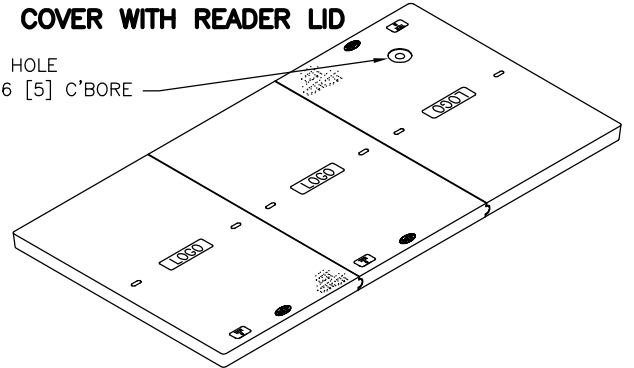
**COVER WITH READER LID**

DROP IN READER LID  
(6 X 9, 7 X 13 &  
9 X 15 available)



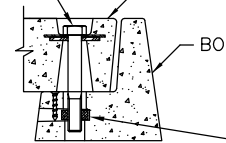
**COVER WITH DROP IN READER LID**

Ø2 [51] TOUCH READER HOLE  
w/Ø4 1/8 [105] X 3/16 [5] C'BORE



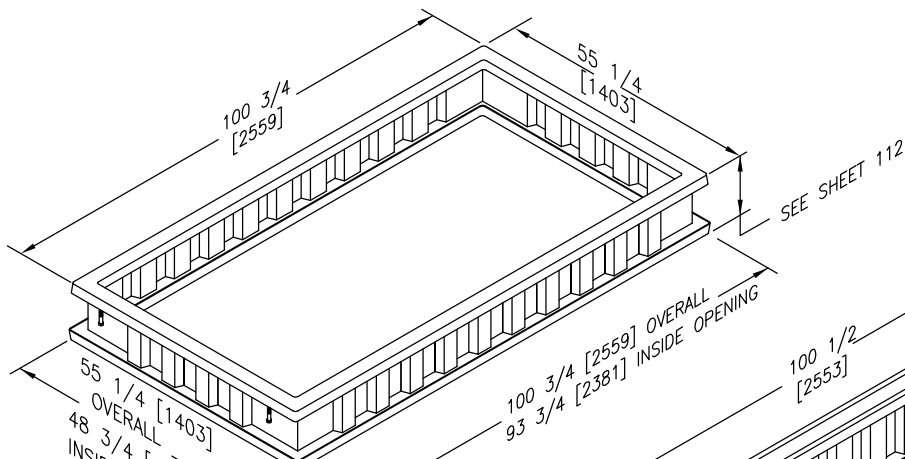
**COVER WITH TOUCH READER HOLE**

1/2-13 UNC SS  
CAPTIVE PENTA HEAD  
BOLT (2 PLACES)  
COVER  
BOX



**CAPTIVE BOLT DETAIL**

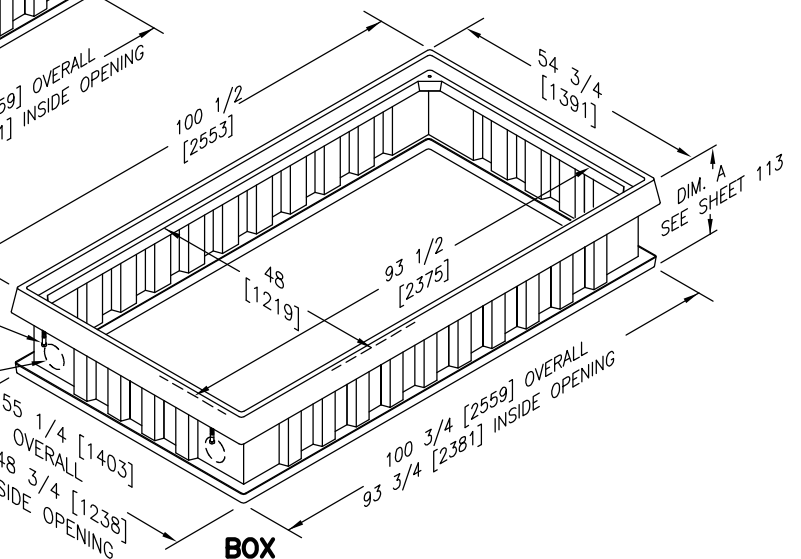
HEX HEAD BOLTS ARE  
AVAILABLE ON REQUEST  
SELF-CENTERING  
CORROSION  
RESISTANT NUT



**EXTENSION**

1/2 [13] DIA.  
LIFTING BOLT  
4 PLACES

OPTIONAL KNOCKOUTS  
OR TERMINATORS



**BOX**

Dimensions in brackets are in millimeters



# SPECIFICATIONS/DATA

## 48" X 96" CORRUGATED WALL STYLE ASSEMBLY

**COVERS** Bolt down covers have S.S. Captive Penta Head Bolts [Blank unless logo is specified]  
(Hex Head Bolts are available – change 2nd digit in cover part no. to "2")

DESCRIPTION	PART NO.	Old Catalog No.	WEIGHT# LBS./kg.	DESIGN/TEST LOAD#	ANSI TIER
Tier 8 w/4 Bolts	C10489603A	C10-4896-33	402/133	8,000/12,000	8
Tier 8 No Bolt Down	C00489603A	C00-4896-33	402/133	8,000/12,000	8
Tier 15 w/4 Bolts	C12489603A	C12-4896-33	520/167	15,000/22,500	15
Tier 15 No Bolt Down	C02489603A	C02-4896-33	520/167	15,000/22,500	15
Tier 22 w/4 Bolts	C16489603A	special number	520/167	22,500/33,750	22
Tier 22 No Bolt Down	C06489603A	special number	520/167	22,500/33,750	22
No Bolts w/4x6 Meter Lid (Over 90)	C08489603C	C00-4896-33C	304/138	5,000/7,500	5
Bolts w/4x6 Meter Lid (Over 90)	C18489603C	C10-4896-33C	304/138	5,000/7,500	5
No Bolts w/4x6 Meter Lid (Under 90)	C08489603D	C00-4896-33C	304/138	5,000/7,500	5
Bolts w/4x6 Meter Lid (Under 90)	C18489603D	C10-4896-33C	304/138	5,000/7,500	5
No Bolts w/6x9 Meter Lid (Over 90)	C08489603E	C00-4896-33C	304/138	5,000/7,500	5
Bolts w/6x9 Meter Lid (Over 90)	C18489603E	C10-4896-33C	304/138	5,000/7,500	5
No Bolts w/6x9 Meter Lid (Under 90)	C08489603F	C00-4896-33C	304/138	5,000/7,500	5
Bolts w/6x9 Meter Lid (Under 90)	C18489603F	C10-4896-33C	304/138	5,000/7,500	5
No Bolts w/Touch Reader Hole	C00489603P	C00-4896-33TR	294/133	8,000/12,000	8
Bolts w/Touch Reader Hole	C10489603P	C10-4896-33TR	294/133	8,000/12,000	8
No Bolts w/6x9 Drop In Reader Lid	C08489603T	C00-4896-33E	368/167	5,000/7,500	5
Bolts w/6x9 Drop In Reader Lid	C18489603T	C10-4896-33E	368/167	5,000/7,500	5
No Bolts w/7x13 Drop In Reader Lid	C08489603U	C00-4896-33E	368/167	5,000/7,500	5
Bolts w/7x13 Drop In Reader Lid	C18489603U	C10-4896-33E	368/167	5,000/7,500	5
No Bolts w/9x15 Drop In Reader Lid	C08489603V	C00-4896-33E	368/167	5,000/7,500	5
Bolts w/9x15 Drop In Reader Lid	C18489603V	C10-4896-33E	368/167	5,000/7,500	5

Covers must be used with equivalent tier boxes or higher (example a Tier 15 cover may not be used with Tier 8 box).  
One piece cover is available upon request.

[Bottom Only] **EXTENSION** (Optional Knockouts or Terminators are available)

DESCRIPTION	PART NO.	Old Catalog No.	WEIGHT# LBS./kg.	DESIGN/TEST LOAD#	ANSI TIER
Tier 8 12" Deep	EOA489612A	E00-4896-12	299/136	8,000/12,000	8
Tier 8 18" Deep	EOA489618A	E00-4896-18	305/138	8,000/12,000	8
Tier 8 24" Deep	EOA489624A	E00-4896-24	311/141	8,000/12,000	8
Tier 8 36" Deep	EOA489636A	E00-4896-36	317/141	8,000/12,000	8
Tier 8 44" Deep	EOA489644A	E00-4896-44	323/159	8,000/12,000	8
Tier 15 12" Deep	EOB489612A	E02-4896-12	299/136	15,000/22,500	15
Tier 15 18" Deep	EOB489618A	E02-4896-18	305/138	15,000/22,500	15
Tier 15 24" Deep	EOB489624A	E02-4896-24	311/141	15,000/22,500	15
Tier 15 36" Deep	EOB489636A	E02-4896-36	317/141	15,000/22,500	15
Tier 15 44" Deep	EOB489644A	E02-4896-44	323/159	15,000/22,500	15
Tier 22 12" Deep	EOC489612A	Special Number	299/136	22,500/33,750	22
Tier 22 18" Deep	EOC489618A	Special Number	305/138	22,500/33,750	22
Tier 22 24" Deep	EOC489624A	Special Number	311/141	22,500/33,750	22
Tier 22 36" Deep	EOC489636A	Special Number	317/141	22,500/33,750	22
Tier 22 44" Deep	EOC489644A	Special Number	323/159	22,500/33,750	22
Tier 8 12" Deep Integral Bottom	EOA489612B	E00-4896-12B	349/158	8,000/12,000	8
Tier 8 18" Deep Integral Bottom	EOA489618B	E00-4896-18B	355/161	8,000/12,000	8
Tier 8 24" Deep Integral Bottom	EOA489624B	E00-4896-24B	361/164	8,000/12,000	8
Tier 8 30" Deep Integral Bottom	EOA489636B	E00-4896-36B	367/166	8,000/12,000	8
Tier 8 44" Deep Integral Bottom	EOA489644B	E00-4896-44B	373/169	8,000/12,000	8
Tier 15 12" Deep Integral Bottom	EOB489612B	E02-4896-12B	349/158	15,000/22,500	15
Tier 15 18" Deep Integral Bottom	EOB489618B	E02-4896-18B	355/161	15,000/22,500	15
Tier 15 24" Deep Integral Bottom	EOB489624B	E02-4896-24B	361/164	15,000/22,500	15
Tier 15 30" Deep Integral Bottom	EOB489636B	E02-4896-36B	367/166	15,000/22,500	15
Tier 15 44" Deep Integral Bottom	EOB489644B	E02-4896-44B	345/156	15,000/22,500	15
Tier 22 12" Deep Integral Bottom	EOC489612B	Special Number	349/158	22,500/33,750	22
Tier 22 18" Deep Integral Bottom	EOC489618B	Special Number	355/161	22,500/33,750	22
Tier 22 24" Deep Integral Bottom	EOC489624B	Special Number	361/164	22,500/33,750	22
Tier 22 30" Deep Integral Bottom	EOC489636B	Special Number	367/166	22,500/33,750	22
Tier 22 44" Deep Integral Bottom	EOC489644B	Special Number	345/156	22,500/33,750	22





# SPECIFICATIONS/DATA

## 48" X 96" CORRUGATED WALL STYLE ASSEMBLY

BOXES (With self-aligning corrosion resistant replaceable nuts)						
DESCRIPTION	Part No.	Old Catalog No.	DIM. A IN./mm.	WEIGHT# LBS./kg.	DESIGN/TEST LOAD#	ANSI TIER
Tier 8	B1A489618A	B10-4896-18	18/457	694/315	8,000/12,000	8
	B1A489624A	B10-4896-24	24/610	713/323	8,000/12,000	8
	B1A489630A	B10-4896-30	30/762	729/331	8,000/12,000	8
	B1A489636A	B10-4896-36	36/914	748/339	8,000/12,000	8
	B1A489648A	B10-4896-48	48/1219	767/348	8,000/12,000	8
Tier 15	B1B489618A	B12-4896-18	18/457	776/352	15,000/22,500	15
	B1B489624A	B12-4896-24	24/610	795/361	15,000/22,500	15
	B1B489630A	B12-4896-30	30/762	811/369	15,000/22,500	15
	B1B489636A	B12-4896-36	36/914	830/376	15,000/22,500	15
	B1B489648A	B12-4896-48	48/1219	849/385	15,000/22,500	15
Tier 22	B1C489618A	special number	18/457	776/352	22,500/33,750	22
	B1C489624A	special number	24/610	795/361	22,500/33,750	22
	B1C489630A	special number	30/762	811/369	22,500/33,750	22
	B1C489636A	special number	36/914	830/376	22,500/33,750	22
	B1C489648A	special number	48/1219	849/385	22,500/33,750	22
Tier 8 W/ Integral Bottom	B1A489618B	B10-4896-18B	18/457	744/337	8,000/12,000	8
	B1A489624B	B10-4896-24B	24/610	763/346	8,000/12,000	8
	B1A489630B	B10-4896-30B	30/762	779/353	8,000/12,000	8
	B1A489636B	B10-4896-36B	36/914	798/362	8,000/12,000	8
	B1A489648B	B10-4896-48B	48/1219	817/351	8,000/12,000	8
Tier 15 W/ Integral Bottom	B1B489618B	B12-4896-18B	18/457	826/374	15,000/22,500	15
	B1B489624B	B12-4896-24B	24/610	845/383	15,000/22,500	15
	B1B489630B	B12-4896-30B	30/762	861/391	15,000/22,500	15
	B1B489636B	B12-4896-36B	36/914	880/399	15,000/22,500	15
	B1B489648B	B12-4896-48B	48/1219	899/408	15,000/22,500	15
Tier 22 W/ Integral Bottom	B1C489618B	special number	18/457	826/374	22,500/33,750	22
	B1C489624B	special number	24/610	845/383	22,500/33,750	22
	B1C489630B	special number	30/762	861/391	22,500/33,750	22
	B1C489636B	special number	36/914	880/399	22,500/33,750	22
	B1C489648B	special number	48/1219	899/408	22,500/33,750	22

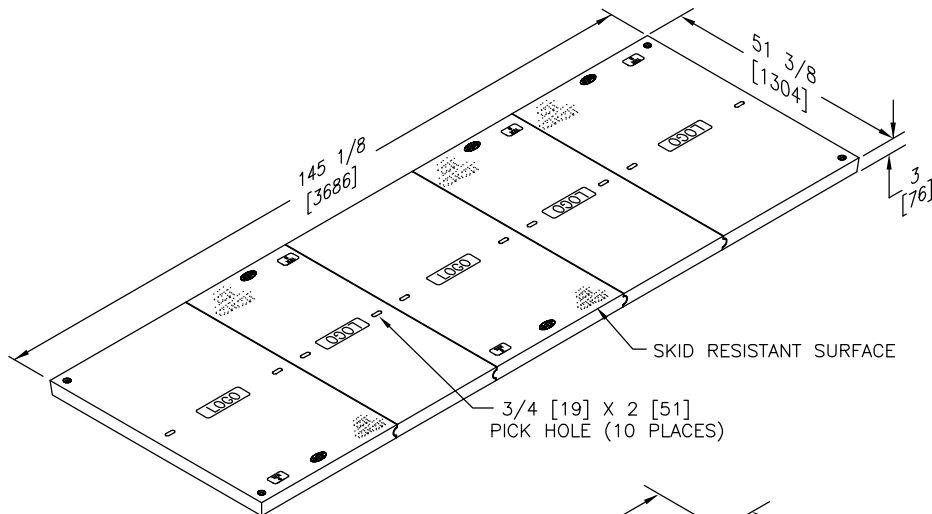
- \*Boxes 30, 36 and 48" deep may be made as Adust-To-Grade by replacing B with letter G (example: G1A489630A)
- Loadings comply with ANSI/SCTE 77 (See page 3 & 4)

OPTIONAL SEPARATE BASE			
DESCRIPTION	PART NO.	Old Catalog No.	WEIGHT# LBS./kg.
Separate bottom for boxes	X004896	_X00-4896	50/23

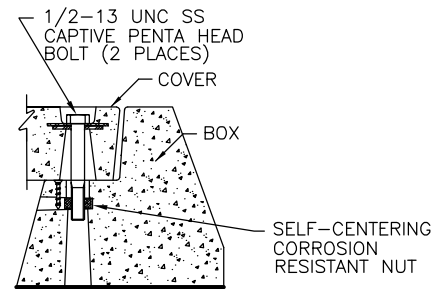


# SPECIFICATIONS/DATA

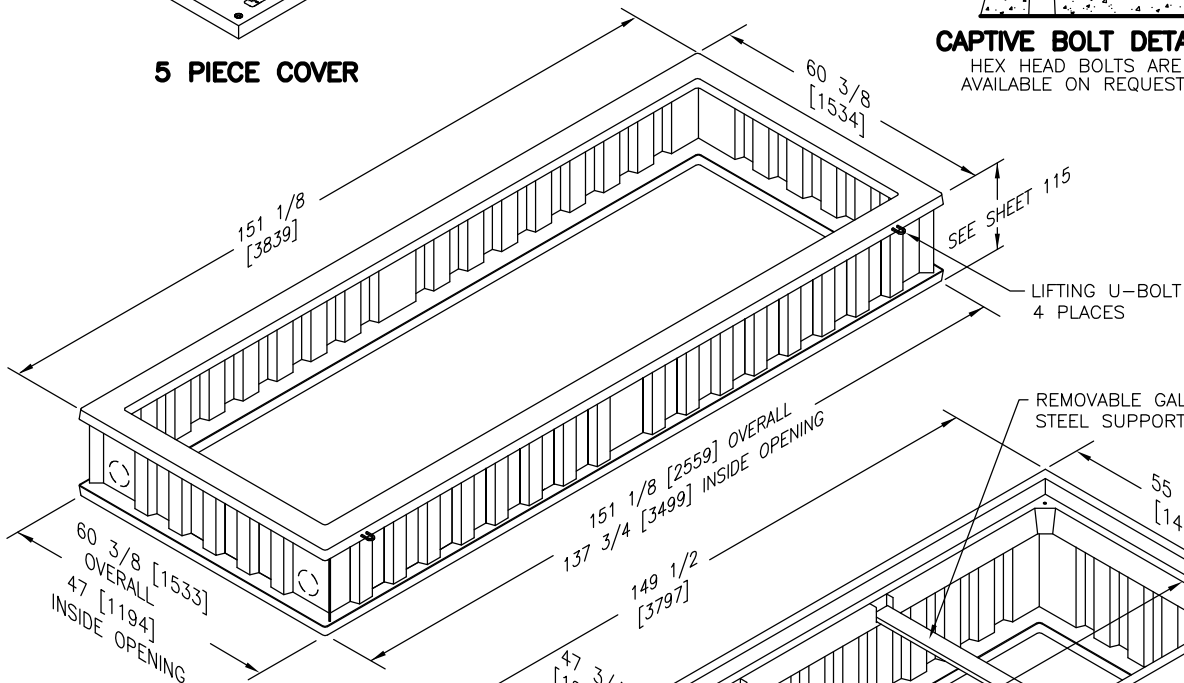
## 48" X 144" CORRUGATED WALL STYLE ASSEMBLY



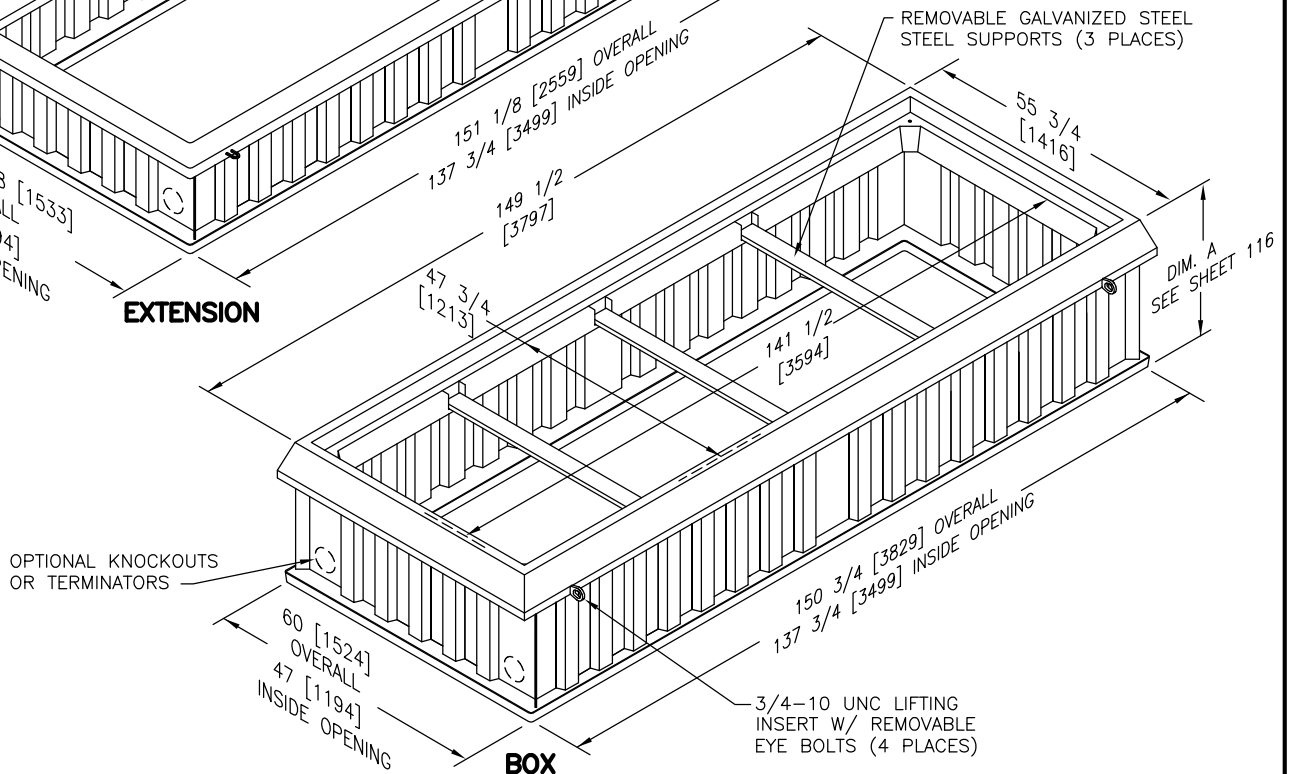
**5 PIECE COVER**



**CAPTIVE BOLT DETAIL**  
HEX HEAD BOLTS ARE AVAILABLE ON REQUEST



**EXTENSION**



**BOX**

Dimensions in brackets are in millimeters



# SPECIFICATIONS/DATA

## 48" X 144" CORRUGATED WALL STYLE ASSEMBLY

COVERS Bolt down covers have S.S. Captive Penta Head Bolts [Blank unless logo is specified] (Hex Head Bolts are available - change 2nd digit in cover part no. to "2")					
DESCRIPTION	PART NO.	Old Catalog No.	WEIGHT# LBS./kg.	DESIGN/TEST LOAD#	ANSI TIER
Tier 8 w/4 Bolts	C10481403A	C10-48144-53	825/374	8,000/12,000	8
Tier 8 No Bolt Down	C00481403A	C00-48144-53	825/374	8,000/12,000	8
Tier 15 w/4 Bolts	C12481403A	C12-48144-53	965/438	15,000/22,500	15
Tier 15 No Bolt Down	C02481403A	C02-48144-53	965/438	15,000/22,500	15
Tier 22 w/4 Bolts	C16481403A	special number	965/438	22,500/33,750	22
Tier 22 No Bolt Down	C06481403A	special number	965/438	22,500/33,750	22
No Bolts w/4x6 Meter Lid (Over 90)	C08481403C	C00-48144-53C	835/379	5,000/7,500	5
Bolts w/4x6 Meter Lid (Over 90)	C18481403C	C10-48144-53C	835/379	5,000/7,500	5
No Bolts w/4x6 Meter Lid (Under 90)	C08481403D	C00-48144-53C	835/379	5,000/7,500	5
Bolts w/4x6 Meter Lid (Under 90)	C18481403D	C10-48144-53C	835/379	5,000/7,500	5
No Bolts w/6x9 Meter Lid (Over 90)	C08481403E	C00-48144-53C	835/379	5,000/7,500	5
Bolts w/6x9 Meter Lid (Over 90)	C18481403E	C10-48144-53C	835/379	5,000/7,500	5
No Bolts w/6x9 Meter Lid (Under 90)	C08481403F	C00-48144-53C	835/379	5,000/7,500	5
Bolts w/6x9 Meter Lid (Under 90)	C18481403F	C10-48144-53C	835/379	5,000/7,500	5
No Bolts w/Touch Reader Hole	C00481403P	C00-48144-53TR	825/374	8,000/12,000	8
Bolts w/Touch Reader Hole	C10481403P	C10-48144-53TR	825/374	8,000/12,000	8
No Bolts w/6x9 Drop In Reader Lid	C08481403T	C00-48144-53E	965/438	5,000/7,500	5
Bolts w/6x9 Drop In Reader Lid	C18481403T	C10-48144-53E	965/438	5,000/7,500	5
No Bolts w/7x13 Drop In Reader Lid	C08481403U	C00-48144-53E	965/438	5,000/7,500	5
Bolts w/7x13 Drop In Reader Lid	C18481403U	C10-48144-53E	965/438	5,000/7,500	5
No Bolts w/9x15 Drop In Reader Lid	C08481403V	C00-48144-53E	965/438	5,000/7,500	5
Bolts w/9x15 Drop In Reader Lid	C18481403V	C10-48144-53E	965/438	5,000/7,500	5

Covers must be used with equivalent tier boxes or higher (example a Tier 15 cover may not be used with Tier 8 box). One piece cover is available upon request.

[Bottom Only] EXTENSION (Optional Knockouts or Terminators are available)					
DESCRIPTION	PART NO.	Old Catalog No.	WEIGHT# LBS./kg.	DESIGN/TEST LOAD#	ANSI TIER
Tier 8 12" Deep	EOA481412A	E00-48144-12	969/440	8,000/12,000	8
Tier 8 18" Deep	EOA481418A	E00-48144-18	975/442	8,000/12,000	8
Tier 8 24" Deep	EOA481424A	E00-48144-24	981/445	8,000/12,000	8
Tier 8 36" Deep	EOA481436A	E00-48144-36	987/448	8,000/12,000	8
Tier 8 44" Deep	EOA481444A	E00-48144-44	993/450	8,000/12,000	8
Tier 15 12" Deep	EOB481412A	E02-48144-12	969/440	15,000/22,500	15
Tier 15 18" Deep	EOB481418A	E02-48144-18	975/442	15,000/22,500	15
Tier 15 24" Deep	EOB481424A	E02-48144-24	981/445	15,000/22,500	15
Tier 15 36" Deep	EOB481436A	E02-48144-36	987/448	15,000/22,500	15
Tier 15 44" Deep	EOB481444A	E02-48144-44	993/450	15,000/22,500	15
Tier 22 12" Deep	EOC481412A	Special Number	969/440	22,500/33,750	22
Tier 22 18" Deep	EOC481418A	Special Number	975/442	22,500/33,750	22
Tier 22 24" Deep	EOC481424A	Special Number	981/445	22,500/33,750	22
Tier 22 36" Deep	EOC481436A	Special Number	987/448	22,500/33,750	22
Tier 22 44" Deep	EOC481444A	Special Number	993/450	22,500/33,750	22
Tier 8 12" Deep Integral Bottom	EOA481412B	E00-48144-12B	1094/496	8,000/12,000	8
Tier 8 18" Deep Integral Bottom	EOA481418B	E00-48144-18B	1100/499	8,000/12,000	8
Tier 8 24" Deep Integral Bottom	EOA481424B	E00-48144-24B	1106/501	8,000/12,000	8
Tier 8 36" Deep Integral Bottom	EOA481436B	E00-48144-36B	1112/504	8,000/12,000	8
Tier 8 44" Deep Integral Bottom	EOA481444B	E00-48144-44B	1118/507	8,000/12,000	8
Tier 15 12" Deep Integral Bottom	EOB481412B	E02-48144-12B	1094/496	15,000/22,500	15
Tier 15 18" Deep Integral Bottom	EOB481418B	E02-48144-18B	1100/499	15,000/22,500	15
Tier 15 24" Deep Integral Bottom	EOB481424B	E02-48144-24B	1106/501	15,000/22,500	15
Tier 15 30" Deep Integral Bottom	EOB481436B	E02-48144-36B	1112/504	15,000/22,500	15
Tier 15 44" Deep Integral Bottom	EOB481444B	E02-48144-44B	1118/507	15,000/22,500	15
Tier 22 12" Deep Integral Bottom	EOC481412B	Special Number	1094/496	22,500/33,750	22
Tier 22 18" Deep Integral Bottom	EOC481418B	Special Number	1100/499	22,500/33,750	22
Tier 22 24" Deep Integral Bottom	EOC481424B	Special Number	1106/501	22,500/33,750	22
Tier 22 30" Deep Integral Bottom	EOC481436B	Special Number	1112/504	22,500/33,750	22
Tier 22 44" Deep Integral Bottom	EOC481444B	Special Number	1118/507	22,500/33,750	22



# SPECIFICATIONS/DATA

## 48" X 144" CORRUGATED WALL STYLE ASSEMBLY

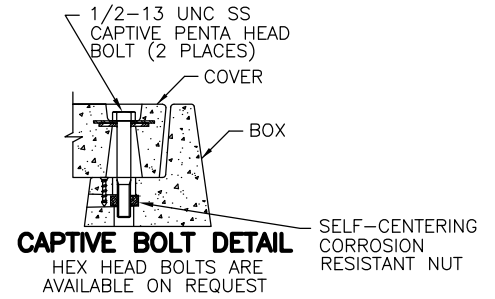
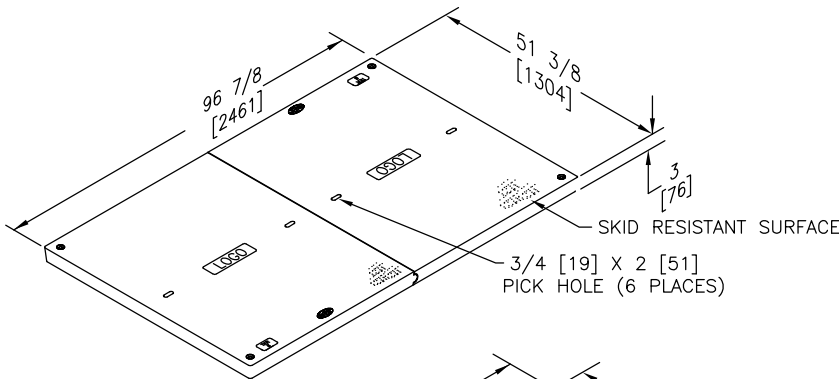
BOXES (With self-aligning corrosion resistant replaceable nuts)						
DESCRIPTION	Part No.	Old Catalog No.	DIM. A IN./mm.	WEIGHT# LBS./kg.	DESIGN/TEST LOAD#	ANSI TIER
Tier 8	B1A481418A	B10-48144-18	18/457	1670/758	8,000/12,000	8
	B1A481424A	B10-48144-24	24/610	1690/767	8,000/12,000	8
	B1A481430A	B10-48144-30	30/762	1710/776	8,000/12,000	8
	B1A481436A	B10-48144-36	36/914	1730/785	8,000/12,000	8
	B1A481448A	B10-48144-48	48/1219	1750/794	8,000/12,000	8
Tier 15	B1B481418A	B12-48144-18	18/457	1795/814	15,000/22,500	15
	B1B481424A	B12-48144-24	24/610	1815/823	15,000/22,500	15
	B1B481430A	B12-48144-30	30/762	1835/832	15,000/22,500	15
	B1B481436A	B12-48144-36	36/914	1855/841	15,000/22,500	15
	B1B481448A	B12-48144-48	48/1219	1875/850	15,000/22,500	15
Tier 22	B1C481418A	special number	18/457	1795/814	22,500/33,750	22
	B1C481424A	special number	24/610	1815/823	22,500/33,750	22
	B1C481430A	special number	30/762	1835/832	22,500/33,750	22
	B1C481436A	special number	36/914	1855/841	22,500/33,750	22
	B1C481448A	special number	48/1219	1875/850	22,500/33,750	22
Tier 8 W/ Integral Bottom	B1A481418B	B10-48144-18B	18/457	1795/814	8,000/12,000	8
	B1A481424B	B10-48144-24B	24/610	1815/823	8,000/12,000	8
	B1A481430B	B10-48144-30B	30/762	1835/832	8,000/12,000	8
	B1A481436B	B10-48144-36B	36/914	1855/841	8,000/12,000	8
	B1A481448B	B10-48144-48B	48/1219	1875/850	8,000/12,000	8
Tier 15 W/ Integral Bottom	B1B481418B	B12-48144-18B	18/457	1920/871	15,000/22,500	15
	B1B481424B	B12-48144-24B	24/610	1940/880	15,000/22,500	15
	B1B481430B	B12-48144-30B	30/762	1960/889	15,000/22,500	15
	B1B481436B	B12-48144-36B	36/914	1980/898	15,000/22,500	15
	B1B481448B	B12-48144-48B	48/1219	2000/907	15,000/22,500	15
Tier 22 W/ Integral Bottom	B1C481418B	special number	18/457	1920/871	22,500/33,750	22
	B1C481424B	special number	24/610	1940/880	22,500/33,750	22
	B1C481430B	special number	30/762	1960/889	22,500/33,750	22
	B1C481436B	special number	36/914	1980/898	22,500/33,750	22
	B1C481448B	special number	48/1219	2000/907	22,500/33,750	22

- Loadings comply with ANSI/SCTE 77 (See page 3 & 4)

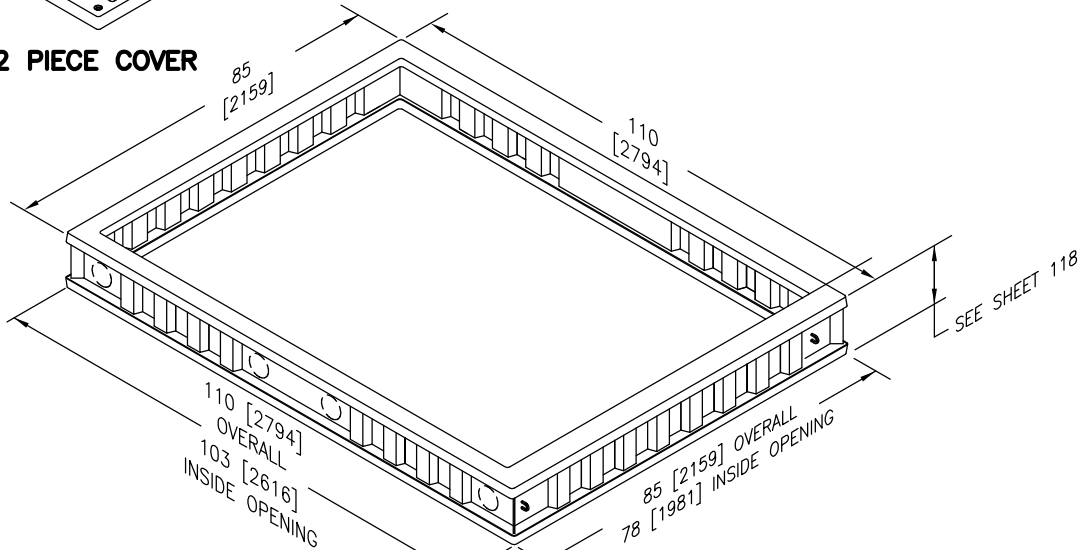
OPTIONAL SEPARATE BASE			
DESCRIPTION	PART NO.	Old Catalog No.	WEIGHT# LBS./kg.
Separate bottom for boxes	X004814	_X00-48144	125/57

# SPECIFICATIONS/DATA

## 78" X 96" CORRUGATED WALL STYLE ASSEMBLY

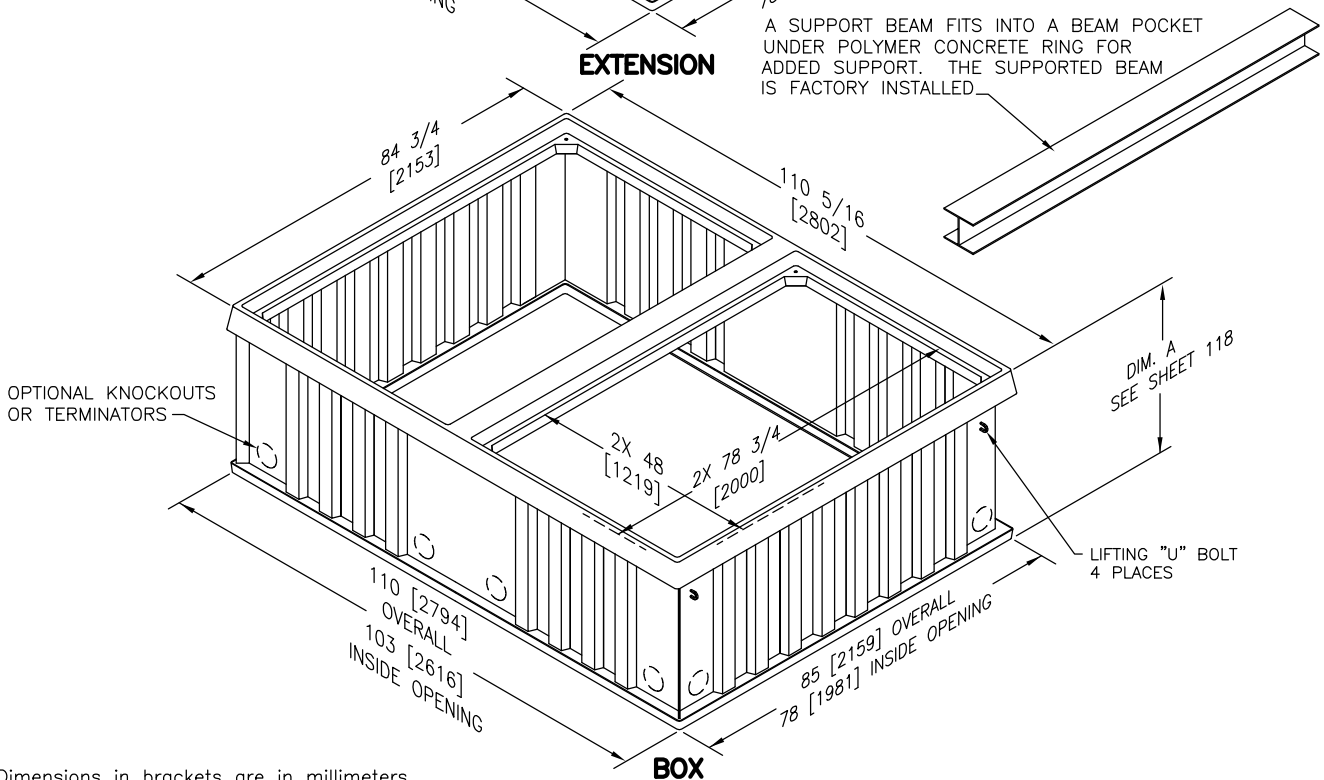


### 2 PIECE COVER



### EXTENSION

A SUPPORT BEAM FITS INTO A BEAM POCKET UNDER POLYMER CONCRETE RING FOR ADDED SUPPORT. THE SUPPORTED BEAM IS FACTORY INSTALLED.



Dimensions in brackets are in millimeters

### BOX

# SPECIFICATIONS/DATA

## 78" X 96" CORRUGATED WALL STYLE ASSEMBLY

**COVERS** Bolt down covers have S.S. Captive Penta Head Bolts [Blank unless logo is specified]  
(Hex Head Bolts are available – change 2nd digit in cover part no. to "2")

DESCRIPTION	PART NO.	Old Catalog No.	WEIGHT# LBS./kg.	DESIGN/TEST LOAD#	ANSI TIER
Tier 8 w/4 Bolts	C10789603A	_C10-7896-63	704/319	8,000/12,000	8
Tier 8 No Bolt Down	C00789603A	_C00-7896-63	704/319	8,000/12,000	8
Tier 15 w/4 Bolts	C12789603A	_C12-7896-63	880/399	15,000/22,500	15
Tier 15 No Bolt Down	C02789603A	_C02-7896-63	880/399	15,000/22,500	15
Tier 22 w/4 Bolts	C16789603A	Special Number	880/399	22,500/33,750	22
Tier 22 No Bolt Down	C06789603A	Special Number	880/399	22,750/33,750	22

[Bottom Only] **EXTENSION** (Optional Knockouts or Terminators are available)

DESCRIPTION	PART NO.	Old Catalog No.	WEIGHT# LBS./kg.	DESIGN/TEST LOAD#	ANSI TIER
Tier 8 12" Deep	EOA789612A	E00-7896-12	1050/476	8,000/12,000	8
Tier 8 24" Deep	EOA789624A	E00-7896-24	1063/482	8,000/12,000	8
Tier 8 36" Deep	EOA789636A	E00-7896-36	1076/488	8,000/12,000	8
Tier 8 44" Deep	EOA789644A	E00-7896-44	1089/494	8,000/12,000	8
Tier 15 12" Deep	EOB789612A	E02-7896-12	1050/476	15,000/22,500	15
Tier 15 24" Deep	EOB789624A	E02-7896-24	1063/482	15,000/22,500	15
Tier 15 36" Deep	EOB789636A	E02-7896-36	1076/488	15,000/22,500	15
Tier 15 44" Deep	EOB789644A	E02-7896-44	1089/494	15,000/22,500	15
Tier 22 12" Deep	EOC789612A	Special Number	1050/476	22,500/33,750	22
Tier 22 24" Deep	EOC789624A	Special Number	1063/482	22,500/33,750	22
Tier 22 36" Deep	EOC789636A	Special Number	1076/488	22,500/33,750	22
Tier 22 44" Deep	EOC789644A	Special Number	1089/494	22,500/33,750	22
Tier 8 12" Deep Integral Bottom	EOA789612B	E00-7896-12B	1111/504	8,000/12,000	8
Tier 8 24" Deep Integral Bottom	EOA789624B	E00-7896-24B	1124/510	8,000/12,000	8
Tier 8 36" Deep Integral Bottom	EOA789636B	E00-7896-36B	1137/515	8,000/12,000	8
Tier 8 44" Deep Integral Bottom	EOA789644B	E00-7896-44B	1149/521	8,000/12,000	8
Tier 15 12" Deep Integral Bottom	EOB789612B	E02-7896-12B	1111/504	15,000/22,500	15
Tier 15 24" Deep Integral Bottom	EOB789624B	E02-7896-24B	1124/510	15,000/22,500	15
Tier 15 36" Deep Integral Bottom	EOB789636B	E02-7896-36B	1137/515	15,000/22,500	15
Tier 15 44" Deep Integral Bottom	EOB789644B	E02-7896-44B	1149/521	15,000/22,500	15
Tier 22 12" Deep Integral Bottom	EOC789612B	Special Number	1111/504	22,500/33,750	22
Tier 22 24" Deep Integral Bottom	EOC789624B	Special Number	1124/510	22,500/33,750	22
Tier 22 36" Deep Integral Bottom	EOC789636B	Special Number	1137/515	22,500/33,750	22
Tier 22 44" Deep Integral Bottom	EOC789644B	Special Number	1149/521	22,500/33,750	22

### BOXES (With self-aligning corrosion resistant replaceable nuts)

DESCRIPTION	Part No.	Old Catalog No.	DIM. A IN./mm.	WEIGHT# LBS./kg.	DESIGN/TEST LOAD#	ANSI TIER
Tier 8	B1A789636A	B10-7896-36	36/914	1826/828	8,000/12,000	8
	B1A789648A	B10-7896-48	48/1219	1892/860	8,000/12,000	8
Tier 15	B1B789636A	B12-7896-36	36/914	1826/828	15,000/22,500	15
	B1B789648A	B12-7896-48	48/1219	1892/860	15,000/22,500	15
Tier 22	B1C789636A	Special Number	36/914	1826/828	22,500/33,750	22
	B1C789648A	Special Number	48/1219	1892/860	22,500/33,750	22
Tier 8 Integral bottom	B1A789636B	B10-7896-36B	36/914	1957/888	8,000/12,000	8
	B1A789648B	B10-7896-48B	48/1219	2028/920	8,000/12,000	8
Tier 15 Integral bottom	B1B789636B	B12-7896-36B	36/914	1957/888	15,000/22,500	15
	B1B789648B	B12-7896-48B	48/1219	2028/920	15,000/22,500	15
Tier 22 Integral bottom	B1C789636B	Special Number	36/914	1957/888	22,500/33,750	22
	B1C789648B	Special Number	48/1219	2028/920	22,500/33,750	22

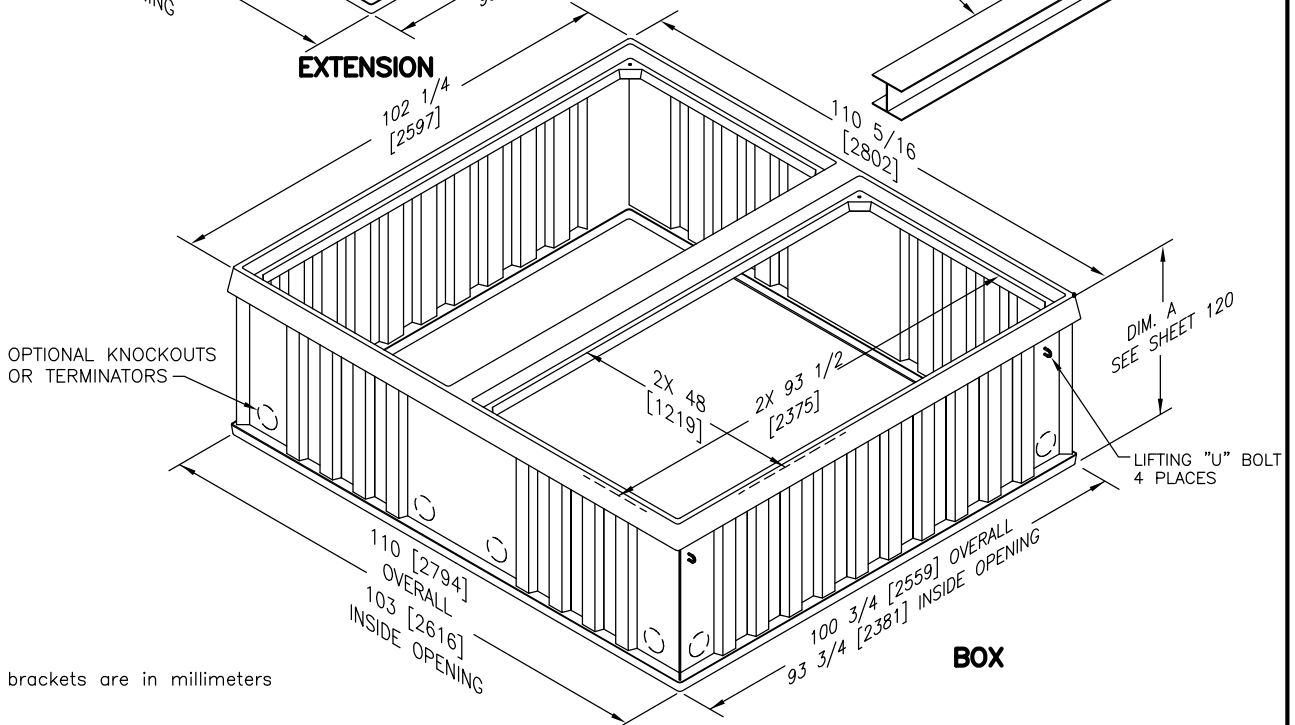
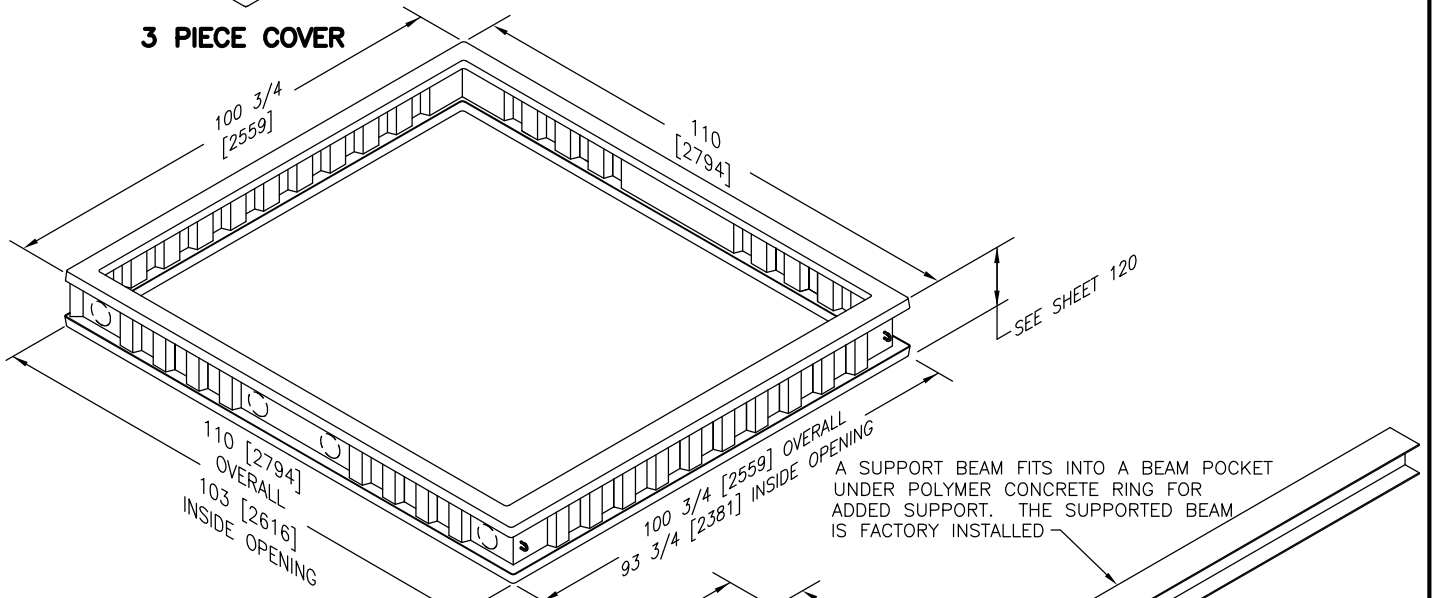
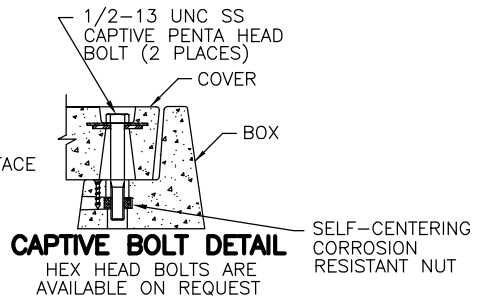
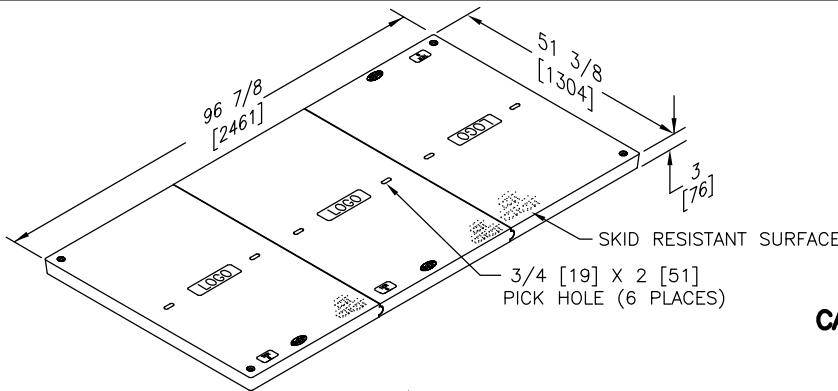
• Loadings comply with ANSI/SCTE 77 (See page 3 & 4)

### OPTIONAL SEPARATE BASE

DESCRIPTION	PART NO.	Old Catalog No.	WEIGHT# LBS./kg.
Separate bottom for boxes	X007896	_X00-7896	61/28

**SPECIFICATIONS/DATA**

**96" X 96" CORRUGATED WALL STYLE ASSEMBLY**



Dimensions in brackets are in millimeters





# SPECIFICATIONS/DATA

## 96" X 96" CORRUGATED WALL STYLE ASSEMBLY

**COVERS** Bolt down covers have S.S. Captive Penta Head Bolts [Blank unless logo is specified]  
(Hex Head Bolts are available – change 2nd digit in cover part no. to "2")

DESCRIPTION	PART NO.	Old Catalog No.	WEIGHT# LBS./kg.	DESIGN/TEST LOAD#	ANSI TIER
Tier 8 w/4 Bolts	C10969603A	_C10-9696-63	804/365	8,000/12,000	8
Tier 8 No Bolt Down	C00969603A	_C00-9696-63	804/365	8,000/12,000	8
Tier 15 w/4 Bolts	C12969603A	_C10-9696-63	1005/456	15,000/22,500	15
Tier 15 No Bolt Down	C02969603A	_C00-9696-63	1005/456	15,000/22,500	15
Tier 22 w/4 Bolts	C16969603A	Special Number	1005/456	22,500/33,750	22
Tier 22 No Bolt Down	C06969603A	Special Number	1005/456	22,500/33,750	22

[Bottom Only] **EXTENSION** (Optional Knockouts or Terminators are available)

DESCRIPTION	PART NO.	Old Catalog No.	WEIGHT# LBS./kg.	DESIGN/TEST LOAD#	ANSI TIER
Tier 8 12" Deep	EOA969612A	E00-9696-12	1292/586	8,000/12,000	8
Tier 8 24" Deep	EOA969624A	E00-9696-24	1308/593	8,000/12,000	8
Tier 8 36" Deep	EOA969636A	E00-9696-36	1324/600	8,000/12,000	8
Tier 8 44" Deep	EOA969644A	E00-9696-44	1340/607	8,000/12,000	8
Tier 15 12" Deep	EOB969612A	E02-9696-12	1292/586	15,000/22,500	15
Tier 15 24" Deep	EOB969624A	E02-9696-24	1308/593	15,000/22,500	15
Tier 15 36" Deep	EOB969636A	E02-9696-36	1324/600	15,000/22,500	15
Tier 15 44" Deep	EOB969644A	E02-9696-44	1340/607	15,000/22,500	15
Tier 22 12" Deep	EOC969612A	Special Number	1292/586	22,500/33,750	22
Tier 22 24" Deep	EOC969624A	Special Number	1308/593	22,500/33,750	22
Tier 22 36" Deep	EOC969636A	Special Number	1324/600	22,500/33,750	22
Tier 22 44" Deep	EOC969644A	Special Number	1340/607	22,500/33,750	22
Tier 8 12" Deep Integral Bottom	EOA969612B	E00-9696-12B	1367/620	8,000/12,000	8
Tier 8 24" Deep Integral Bottom	EOA969624B	E00-9696-24B	1383/627	8,000/12,000	8
Tier 8 36" Deep Integral Bottom	EOA969636B	E00-9696-36B	1399/635	8,000/12,000	8
Tier 8 44" Deep Integral Bottom	EOA969644B	E00-9696-44B	1415/642	8,000/12,000	8
Tier 15 12" Deep Integral Bottom	EOB969612B	E02-9696-12B	1367/620	15,000/22,500	15
Tier 15 24" Deep Integral Bottom	EOB969624B	E02-9696-24B	1383/627	15,000/22,500	15
Tier 15 36" Deep Integral Bottom	EOB969636B	E02-9696-36B	1399/635	15,000/22,500	15
Tier 15 44" Deep Integral Bottom	EOB969644B	E02-9696-44B	1415/642	15,000/22,500	15
Tier 22 12" Deep Integral Bottom	EOC969612B	Special Number	1367/620	22,500/33,750	22
Tier 22 24" Deep Integral Bottom	EOC969624B	Special Number	1383/627	22,500/33,750	22
Tier 22 36" Deep Integral Bottom	EOC969636B	Special Number	1399/635	22,500/33,750	22
Tier 22 44" Deep Integral Bottom	EOC969644B	Special Number	1415/642	22,500/33,750	22

### BOXES (With self-aligning corrosion resistant replaceable nuts)

DESCRIPTION	Part No.	Old Catalog No.	DIM. A IN./mm.	WEIGHT# LBS./kg.	DESIGN/TEST LOAD#	ANSI TIER
Tier 8	B1A969636A	B10-9696-36	36/914	2247/1019	8,000/12,000	8
	B1A969648A	B10-9696-48	48/1219	2328/1056	8,000/12,000	8
Tier 15	B1B969636A	B12-9696-36	36/914	2247/1019	15,000/22,500	15
	B1B969648A	B12-9696-48	48/1219	2328/1056	15,000/22,500	15
Tier 22	B1C969636A	Special Number	36/914	2247/1019	22,500/33,750	22
	B1C969648A	Special Number	48/1219	2328/1056	22,500/33,750	22
Tier 8 Integral Bottom	B1A969636B	B10-9696-36	36/914	2409/1093	8,000/12,000	8
	B1A969648B	B10-9696-48	48/1219	2496/1132	8,000/12,000	8
Tier 15 Integral Bottom	B1B969636B	B12-9696-36	36/914	2409/1093	15,000/22,500	15
	B1B969648B	B12-9696-48	48/1219	2496/1132	15,000/22,500	15
Tier 22 Integral Bottom	B1C969636B	Special Number	36/914	2409/1093	22,500/33,750	22
	B1C969648B	Special Number	48/1219	2496/1132	22,500/33,750	22

• Loadings comply with ANSI/SCTE 77 (See page 3 & 4)

### OPTIONAL SEPARATE BASE

DESCRIPTION	PART NO.	Old Catalog No.	WEIGHT# LBS./kg.
Separate bottom for boxes	X009696	_X00-9696	75/34

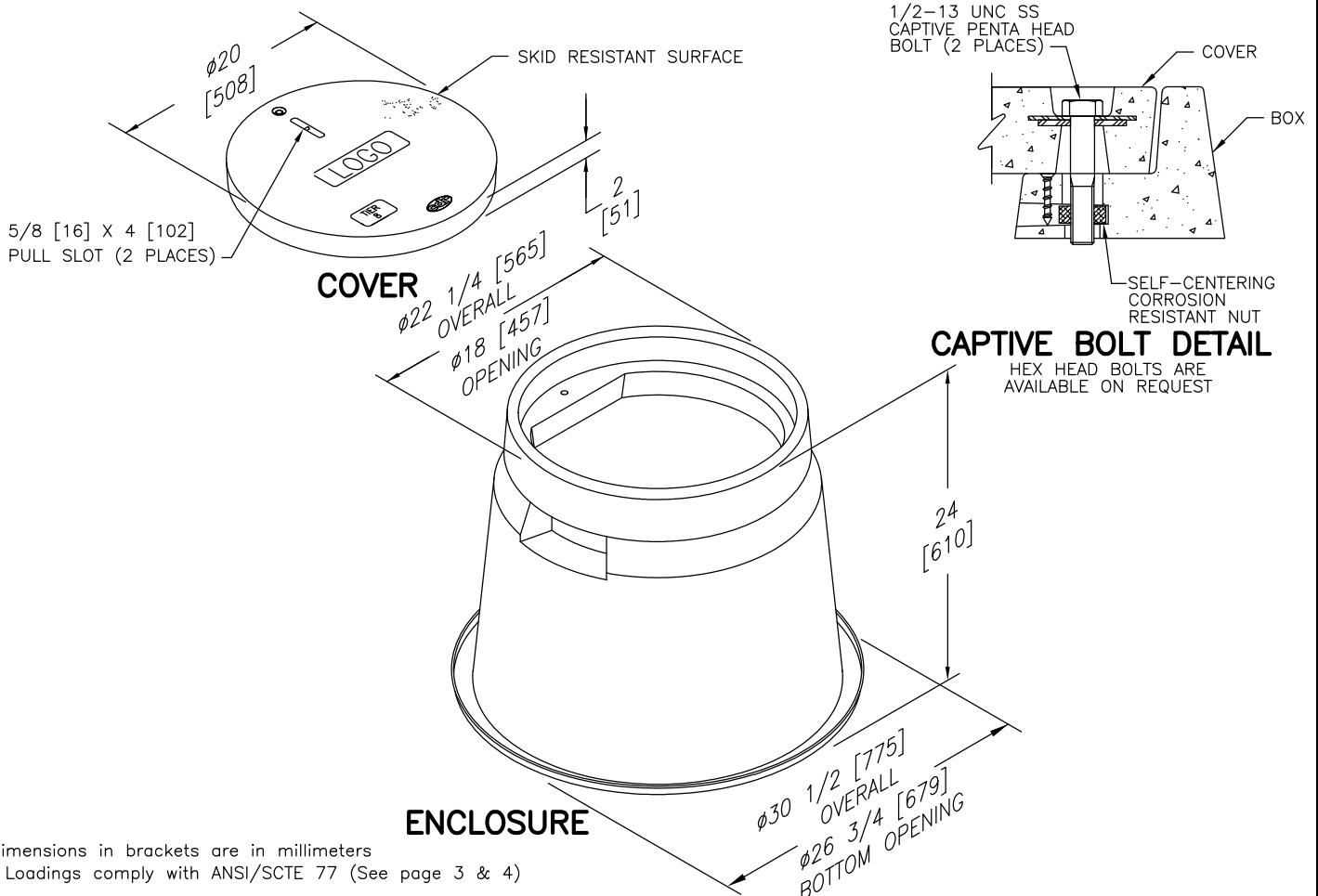


## ROUND ENCLOSURE ASSEMBLIES

- **LIGHTWEIGHT-** Quick easy installation for LOWEST INSTALLED COST
- **HIGH STRENGTH** Special combination of polymer concrete and fiber reinforced polyester – 3 to 4 times the compressive strength of concrete and has the tensile strength of steel.
- **LIDS CAN NOT FALL INTO ROUND ENCLOSURE-** Ideal for fiber optic cable applications to protect cable. Round design also ideal to coil cable. Covers also have bolt alignment guides.
- **AVAILABLE-** Most are available in Tier 8, Tier 15 & Tier 22
- **NESTABLE-** Flared Boxes are Nestable for easy storage, transportation and freight savings.
- **NON-CONDUCTIVE-** And unaffected by UV light, moisture, freezing and sub soil chemicals
- **STAINLESS STEEL HARDWARE-** Non–corrosive
- **NO EXTRA CHARGE-** For standard cover logos (refer to page 142 for the most popular logos)
- **OPTIONS-** Include mouseholes, holes, knockouts, terminators, various hardware items as well as drop in and meter reading lids (see pages 143 & 144 for options)

# SPECIFICATIONS/DATA

## 2000 ROUND ENCLOSURE (NESTABLE) ASSEMBLY



Dimensions in brackets are in millimeters

• Loadings comply with ANSI/SCTE 77 (See page 3 & 4)

<b>COVERS</b> Bolt down covers have S.S. Captive Penta Head Bolts [Blank unless logo is specified] (Hex Head Bolts are available – change 2nd digit in cover part no. to "2")						
DESCRIPTION	PART NO.	Old Catalog No.	WEIGHT# LBS./kg.	DESIGN/TEST LOAD#	ANSI TIER	
Tier 8 w/2 Bolts	C10200002A	C10-2000-02	23/10	8,000/12,000	8	
Tier 8 No Bolt Down	C00200002A	C00-2000-02	23/10	8,000/12,000	8	
Tier 15 w/2 Bolts	C12200002A	C12-2000-02	34/15	15,000/22,500	15	
Tier 15 No Bolt Down	C02200002A	C02-2000-02	34/15	15,000/22,500	15	
Tier 22 w/2 Bolts	C16200002A	C16-2000-02	34/15	22,500/33,750	22	
Tier 22 No Bolt Down	C06200002A	C06-2000-02	34/15	22,500/33,750	22	

Covers must be used with equivalent tier boxes or higher (example a Tier 15 cover may not be used with Tier 8 box).

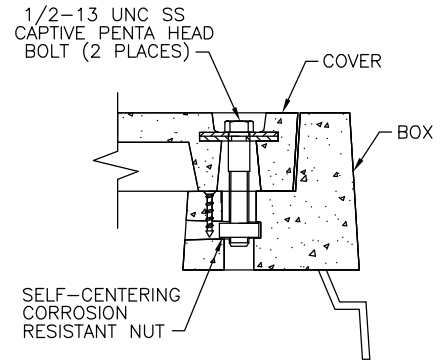
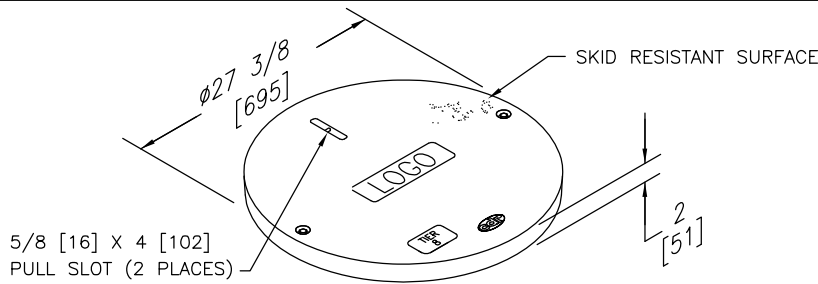
<b>ENCLOSURE</b> (Nestable with self-aligning corrosion resistant replaceable nuts)						
DESCRIPTION	PART NO.	Old Catalog No.	DIM. A IN./mm.	WEIGHT# LBS./kg.	DESIGN/TEST LOAD#	ANSI TIER
Tier 8	B10200024A	B10-2000-24	24/610	48/22	8,000/12,000	8
	B10200048A	B10-2000-48	48/1219	96/44	8,000/12,000	8
Tier 15	B12200024A	B12-2000-24	24/610	59/27	15,000/22,500	15
	B12200048A	B12-2000-48	48/1219	118/54	15,000/22,500	15
Tier 22	B19200024A	Special number	24/610	59/27	22,500/33,750	22
	B19200048A	Special number	48/1219	118/54	22,500/33,750	22
Tier 8 w/ Gasket**	B10200024G	B10-2000-24G	24/610	48/22	8,000/12,000	8
	B10200048G	B10-2000-48G	48/1219	96/44	8,000/12,000	8
Tier 15 w/ Gasket**	B12200024G	B12-2000-24G	24/610	59/27	15,000/22,500	15
	B12200048G	B12-2000-48G	48/1219	118/54	15,000/22,500	15
Tier 22 w/ Gasket**	B19200024G	Special number	24/610	59/27	22,500/33,750	22
	B19200048G	Special number	48/1219	118/54	22,500/33,750	22

\*48" Depth created by bolting 2-24" deep boxes bottom to bottom.

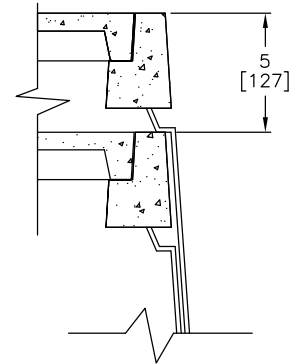
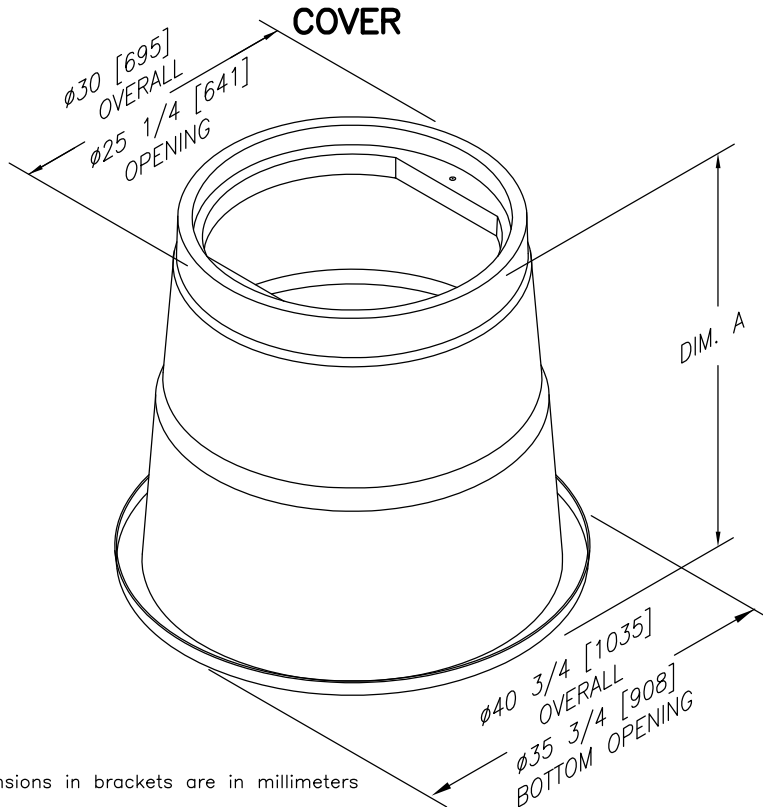
\*\*Gaskets reduce the inflow of fluids but do not make the enclosure water tight.

# SPECIFICATIONS/DATA

## 2700 ROUND ENCLOSURE (NESTABLE) ASSEMBLY



**CAPTIVE BOLT DETAIL**  
HEX HEAD BOLTS ARE AVAILABLE ON REQUEST



**NESTING DETAIL**

Dimensions in brackets are in millimeters

<b>COVERS</b> Bolt down covers have S.S. Captive Penta Head Bolts [Blank unless logo is specified] (Hex Head Bolts are available – change 2nd digit in cover part no. to "2")					
DESCRIPTION	PART NO.	Old Catalog No.	WEIGHT# LBS./kg.	DESIGN/TEST LOAD#	ANSI TIER
Tier 8 w/2 Bolts	C10270002A	C10-2700-02	50/23	8,000/12,000	8
Tier 8 No Bolt Down	C00270002A	C00-2700-02	50/23	8,000/12,000	8
Tier 15 w/2 Bolts	C12270002A	C12-2700-02	65/29	15,000/22,500	15
Tier 15 No Bolt Down	C02270002A	C02-2700-02	65/29	15,000/22,500	15

Covers must be used with equivalent tier boxes or higher (example a Tier 15 cover may not be used with Tier 8 box).

<b>ENCLOSURE</b> (Nestable with self-aligning corrosion resistant replaceable nuts)						
DESCRIPTION	PART NO.	Old Catalog No.	DIM. A IN./mm.	WEIGHT# LBS./kg.	DESIGN/TEST LOAD#	ANSI TIER
Tier 8	B10270036A	B10-2700-36	36/305	95/43	8,000/12,000	8
	B10270072A	B10-2700-72	77/457	190/86	8,000/12,000	8
Tier 15	B12270036A	B12-2700-36	36/305	121/55	15,000/22,500	15
	B12270072A	B12-2700-72	77/457	242/110	15,000/22,500	15
Tier 8 w/ Gasket**	B10270036G	B10-2700-36G	36/305	95/43	8,000/12,000	8
	B10270072G	B10-2700-72G	77/457	190/86	8,000/12,000	8
Tier 15 w/ Gasket**	B12270036G	B12-2700-36G	36/305	121/55	15,000/22,500	15
	B12270072G	B12-2700-72G	77/457	242/110	15,000/22,500	15

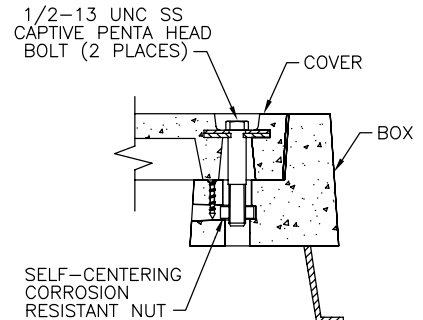
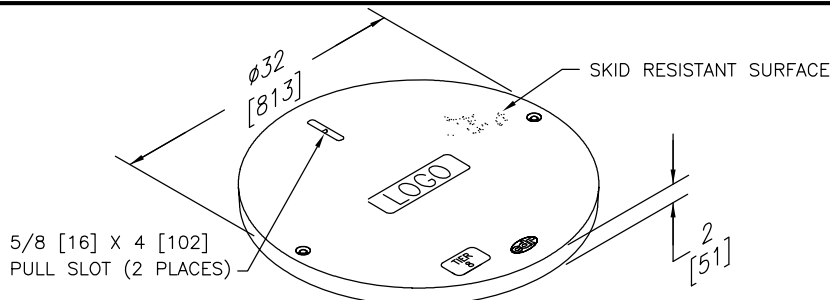
\*72" Depth created by bolting 2-36" deep boxes bottom to bottom.

\*\*Gaskets reduce the inflow of fluids but do not make the enclosure water tight.

• Loadings comply with ANSI/SCTE 77 (See page 3 & 4)

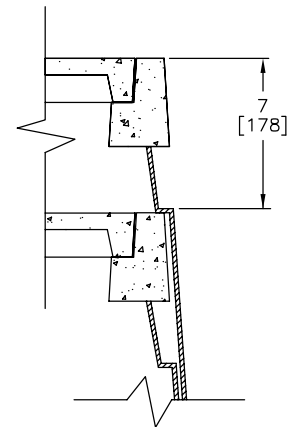
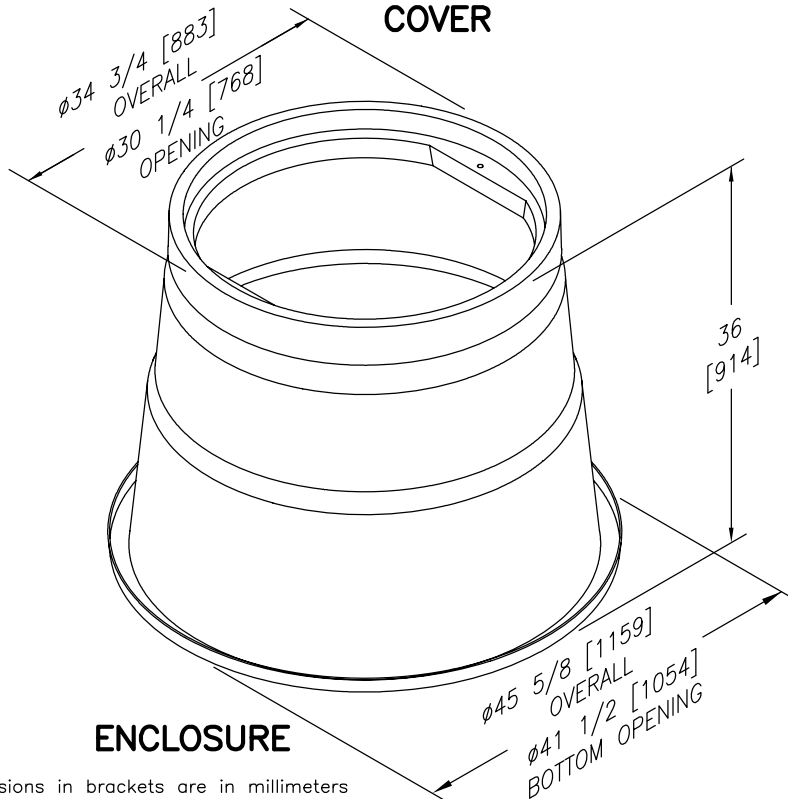
# SPECIFICATIONS/DATA

## 3200 ROUND ENCLOSURE (NESTABLE) ASSEMBLY



### CAPTIVE BOLT DETAIL

HEX HEAD BOLTS ARE AVAILABLE ON REQUEST



### NESTING DETAIL

Dimensions in brackets are in millimeters

COVERS Bolt down covers have S.S. Captive Penta Head Bolts [Blank unless logo is specified] (Hex Head Bolts are available - change 2nd digit in cover part no. to "2")					
DESCRIPTION	PART NO.	Old Catalog No.	WEIGHT# LBS./kg.	DESIGN/TEST LOAD#	ANSI TIER
Tier 8 w/2 Bolts	C10320002A	C10-3200-02	91/41	8,000/12,000	8
Tier 8 No Bolt Down	C00320002A	C00-3200-02	91/41	8,000/12,000	8
Tier 15 w/2 Bolts	C12320002A	C12-3200-02	106/48	15,000/22,500	15
Tier 15 No Bolt Down	C02320002A	C02-3200-02	106/48	15,000/22,500	15
Tier 22 w/2 Bolts	C16320002A	Special number	106/48	22,500/33,750	22
Tier 22 No Bolt Down	C06320002A	Special number	106/48	22,500/33,750	22

Covers must be used with equivalent tier boxes or higher (example a Tier 15 cover may not be used with Tier 8 box).

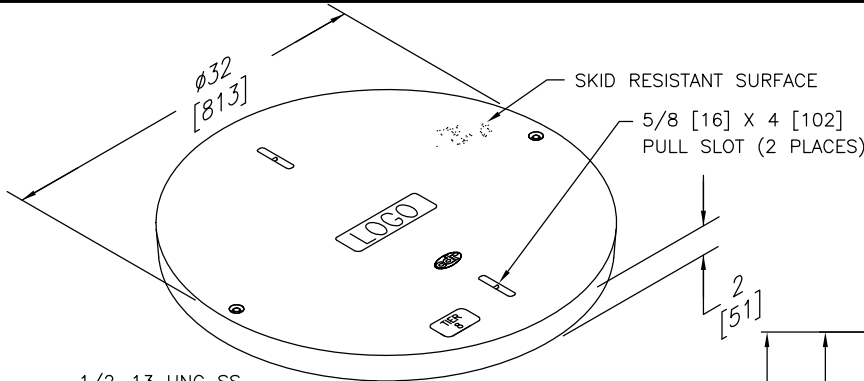
ENCLOSURE (Nestable with self-aligning corrosion resistant replaceable nuts)						
DESCRIPTION	PART NO.	Old Catalog No.	DIM. A IN./mm.	WEIGHT# LBS./kg.	DESIGN/TEST LOAD#	ANSI TIER
Tier 8	B10320036A	B10-3200-36	36/305	95/43	8,000/12,000	8
Tier 15	B12320036A	B12-3200-36	36/305	121/55	15,000/22,500	15
Tier 22	B19320036A	Special number	36/305	121/55	22,500/33,750	22
Tier 8 w/ Gasket*	B10320036G	B10-3200-36G	36/305	95/43	8,000/12,000	8
Tier 15 w/ Gasket*	B12320036G	B12-3200-36G	36/305	121/55	15,000/22,500	15
Tier 22 w/ Gasket*	B19320036G	Special number	36/305	121/55	22,500/33,750	22

\*Gaskets reduce the inflow of fluids but do not make the enclosure water tight.

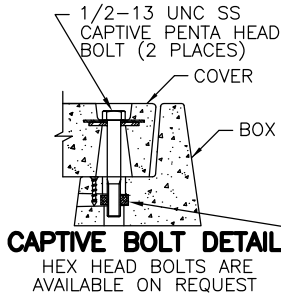
• Loadings comply with ANSI/SCTE 77 (See page 3 & 4)

# SPECIFICATIONS/DATA

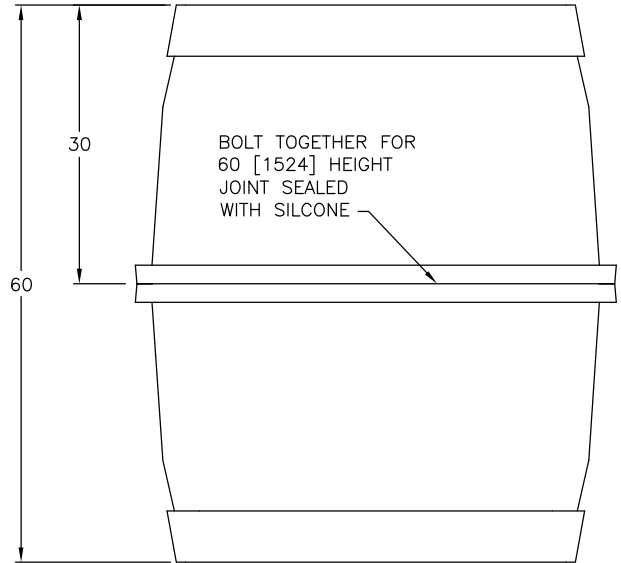
## 3900 ROUND ENCLOSURE (NESTABLE) ASSEMBLY



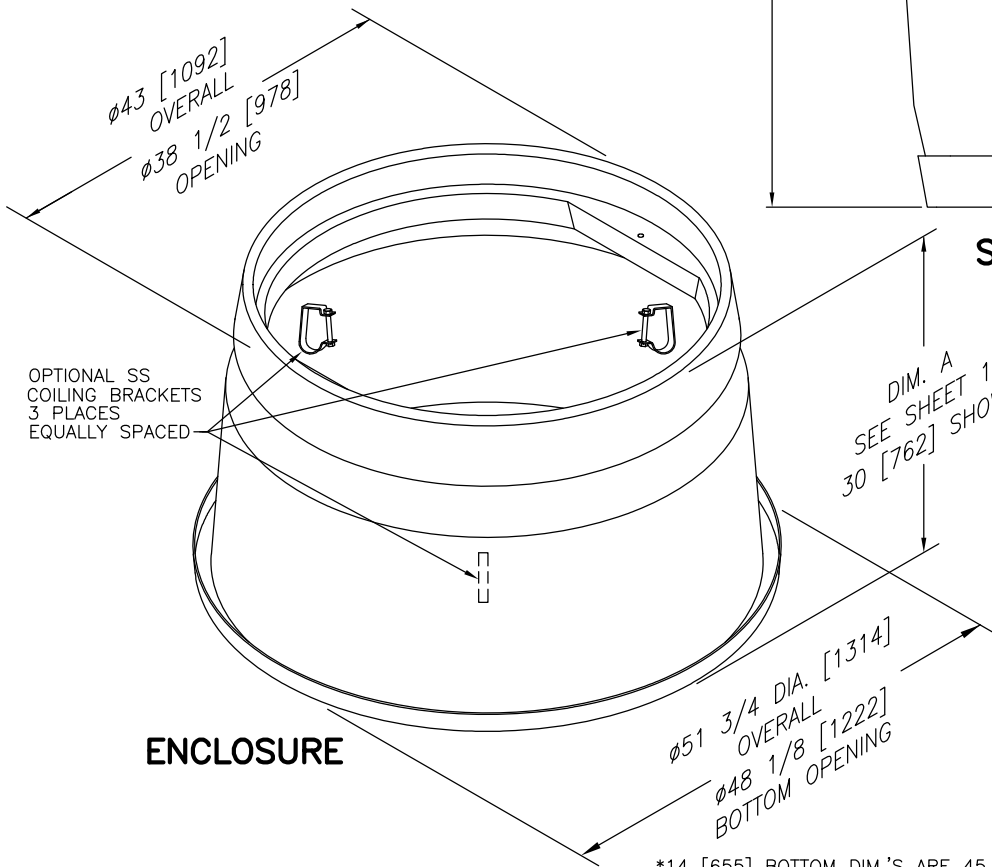
### COVER



SELF-CENTERING CORROSION RESISTANT NUT



### STACKING OPTION



Dimensions in brackets are in millimeters

\*14 [655] BOTTOM DIM.'S ARE 45 7/8 [1165] INSIDE & 51 [1295] OUTSIDE  
 \*36 [914] BOTTOM DIM.'S ARE 48 [1219] INSIDE & 51 3/4 [1314] OUTSIDE  
 \*500 [914] BOTTOM DIM.'S ARE 60 [1524] INSIDE & 65 [1651] OUTSIDE

# SPECIFICATIONS/DATA

## 3900 ROUND ENCLOSURE (NESTABLE) ASSEMBLY

<b>COVERS</b> Bolt down covers have S.S. Captive Penta Head Bolts [Blank unless logo is specified] (Hex Head Bolts are available – change 2nd digit in cover part no. to "2")					
DESCRIPTION	PART NO.	Old Catalog No.	WEIGHT# LBS./kg.	DESIGN/TEST LOAD#	ANSI TIER
Tier 8 w/2 Bolts	C10390003A	C10-3900-03	200/91	8,000/12,000	8
Tier 8 No Bolt Down	C00390003A	C00-3900-03	200/91	8,000/12,000	8
Tier 15 w/2 Bolts	C12390003A	C12-3900-03	250/113	15,000/22,500	15
Tier 15 No Bolt Down	C02390003A	C02-3900-03	250/113	15,000/22,500	15
Tier 22 w/2 Bolts	C16390003A	Special number	250/113	22,500/33,750	22
Tier 22 No Bolt Down	C06390003A	Special number	250/113	22,500/33,750	2

Covers must be used with equivalent tier boxes or higher (example a Tier 15 cover may not be used with Tier 8 box).

<b>ENCLOSURE</b> (With self-aligning corrosion resistant replaceable nuts)						
DESCRIPTION	Part No.	Old Catalog No.	DIM. A IN./mm.	WEIGHT# LBS./kg.	DESIGN/TEST LOAD#	ANSI TIER
Tier 8	B10390014A	B10-3900-14	14/356	154/340	8,000/12,000	8
	B10390030A	B10-3900-30	30/762	168/370	8,000/12,000	8
	B10390036A	B10-3900-36	36/914	175/385	8,000/12,000	8
	B103900500	B10-3900-36W	36/914	175/385	8,000/12,000	8
Tier 15	B12390014A	B12-3900-14	14/356	158/348	15,000/22,500	15
	B12390030A	B12-3900-30	30/762	179/395	15,000/22,500	15
	B12390036A	B12-3900-36	36/914	190/419	15,000/22,500	15
	B123900501	B12-3900-36W	36/914	190/419	15,000/22,500	15
Tier 22	B16390014A	special number	14/356	158/348	22,500/33,750	22
	B16390030A	special number	30/762	179/395	22,500/33,750	22
	B16390036A	special number	36/914	190/419	22,500/33,750	22
	B163900500	special number	36/914	190/419	22,500/33,750	22
Tier 8 W/ Gasket*	B10390014G	B10-3900-14G	14/356	154/340	8,000/12,000	8
	B10390030G	B10-3900-30G	30/762	168/370	8,000/12,000	8
	B10390036G	B10-3900-36G	36/914	175/385	8,000/12,000	8
	B103900501	B10-3900-36WG	36/914	175/385	8,000/12,000	8
Tier 15 W/ Gasket*	B12390014G	B12-3900-14G	14/356	158/348	15,000/22,500	15
	B12390030G	B12-3900-30G	30/762	179/395	15,000/22,500	15
	B12390036G	B12-3900-36G	36/914	190/419	15,000/22,500	15
	B123900502	B12-3900-36WG	36/914	190/419	15,000/22,500	15
Tier 22 W/ Gasket*	B16390014G	special number	14/356	158/348	22,500/33,750	22
	B16390030G	special number	30/762	179/395	22,500/33,750	22
	B16390036G	special number	36/914	190/419	22,500/33,750	22
	B163900501	special number	36/914	190/419	22,500/33,750	22

- \*Gaskets reduce the inflow of fluids but do not make the enclosure water tight.  
 ● Loadings comply with ANSI/SCTE 77 (See page 3 & 4)

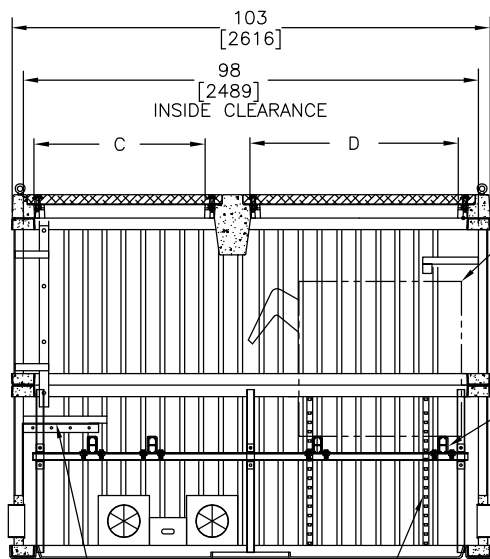
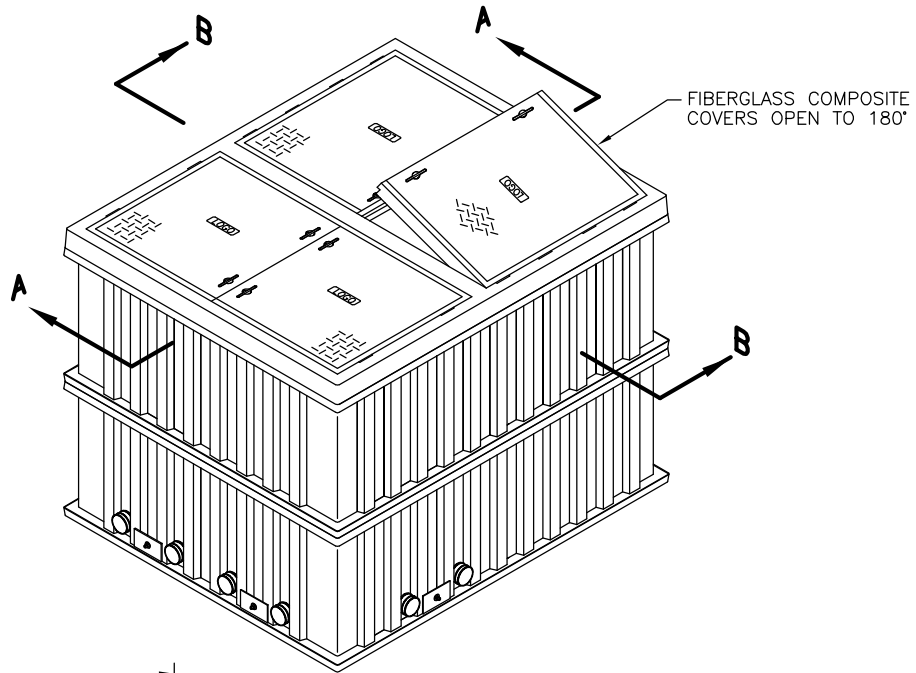
**SPECIAL PURPOSE SECTION**

- **UNDERGROUND DISTRIBUTION SWITCHGEAR ENCLOSURE**
  
- **TORSION ASSIST BOX ASSEMBLIES**
  
- **REPLACEMENT COVERS**
  
- **MEDIAN BARRIER BOX**
  
- **TRAFFIC SIGNAL CABINET WORK PAD**
  
- **PLASTIC RECTANGULAR BOX ASSEMBLY**
  
- **PLASTIC ROUND ENCLOSURE ASSEMBLY**



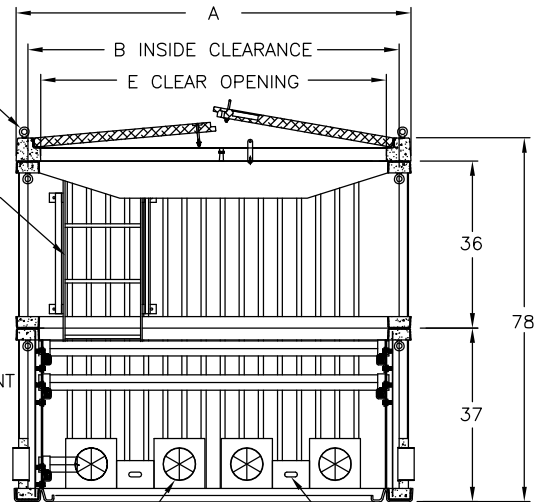
# SPECIFICATIONS/DATA

# UNDERGROUND DISTRIBUTION SWITCHGEAR ENCLOSURE



**SECTION A-A**

SS 1/2-13 UNC LIFTING EYE  
 422 (15.5 kV) SWITCH GEAR  
 FIBERGLASS ACCESS LADDER  
 SS UNISTRUT FULL LENGTH ADJUSTABLE EQUIPMENT PLATFORM



**SECTION B-B**

18" REMOVEABLE WORK PLATFORM  
 SS CABLE RACK 4 PLACES  
 REMOVEABLE BOTTOM BOLTED TO BOX

HOT DIP GALV. STEEL TERMINATOR W/PLUGS FOR 6" SCH 40 PIPE 12 PLACES

CUSTOMER SPEC. LOAD PULLEY 6 PLACES

SWITCHGEAR ENCLOSURE (With Torsion assist covers)					
Assembly No.	DIM. A IN./mm.	DIM. B IN./mm.	DIM. C IN./mm.	DIM. D IN./mm.	DIM. E IN./mm.
A1A7896500	85/2159	80/2032	38 3/4/984	46 3/4/1187	74 1/2/1892
A1A9696500	103/2159	92/2032	46 3/4/1187	46 3/4/1187	86 1/2/2197

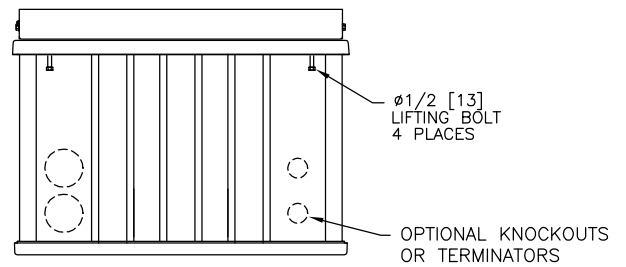
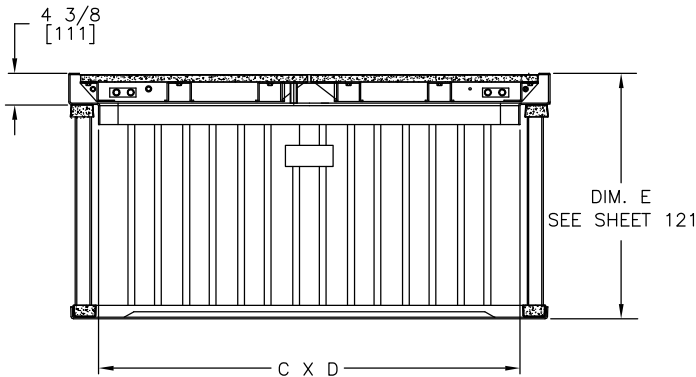
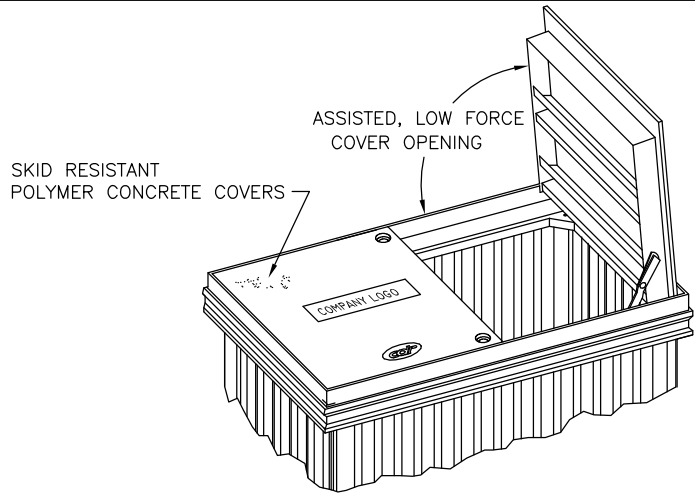
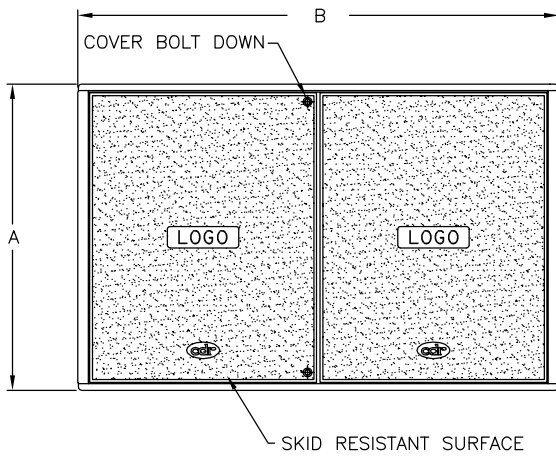
If switchgear size or configuration is not shown, contact CDR Customer Service.

Dimensions in brackets are in millimeters



# SPECIFICATIONS/DATA

## TORSION ASSIST BOX ASSEMBLIES



All standard box options such as mouseholes and pulling eyes are available

Dimensions in brackets are in millimeters

ASSEMBLIES					
BOX			TORSION ASSIST		
SIZE	A	B	SIZE	C	D
3048	35 5/8 [645]	58 3/4 [1492]	3048	24 1/2 [622]	42 1/4 [1073]
3660	41 1/4 [1048]	67 1/2 [1715]	3660	35 [889]	59 [1499]
4848	54 1/2 [1384]	58 1/2 [1486]	4848	47 [1194]	47 [1194]
4860	52 7/8 [1343]	67 1/2 [1715]	4860	47 [1194]	59 [1499]
4872	54 5/8 [1387]	81 5/8 [2073]	4872	46 5/8 [1184]	70 1/8 [1781]
4896	56 [1422]	101 1/2 [2578]			
7272	78 [1981]	78 [1981]			

# SPECIFICATIONS/DATA

## TORSION ASSIST BOX ASSEMBLIES

- For At-Grade Installations
- Torsion Assisted Cover provides easy access
- All Steel Frame with Skid Resistant Polymer Concrete Cover
- Covers also open to 180° when needed
- Cover Latch – Holds Covers upright during Cable Installation

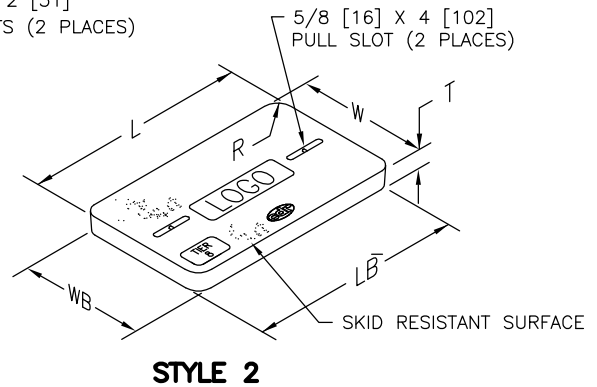
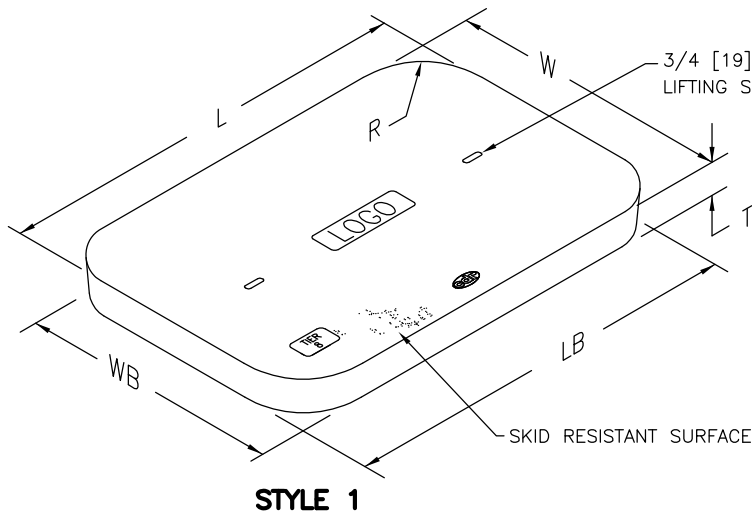
TORSION ASSIST ASSEMBLIES					
DESCRIPTION	Part No.	Old Catalog No.	DIM. E IN./mm.	WEIGHT# LBS./kg.	DESIGN/TEST LOAD#
3048	A1A3048500	A10-3048-18TA	18/457	480/217	8,000/12,000
	A1A3048501	A10-3048-24TA	24/610	490/222	8,000/12,000
	A1A3048502	A10-3048-30TA	30/762	500/227	8,000/12,000
	A1A3048503	A10-3048-36TA	36/914	510/231	8,000/12,000
	A1A3048504	A10-3048-48TA	48/1219	520/236	8,000/12,000
3660	A1A3660505	A10-3660-18TA	18/457	720/326	8,000/12,000
	A1A3660506	A10-3660-24TA	24/610	735/333	8,000/12,000
	A1A3660507	A10-3660-30TA	30/762	750/340	8,000/12,000
	A1A3660508	A10-3660-36TA	36/914	765/346	8,000/12,000
	A1A3660509	A10-3660-48TA	48/1219	780/354	8,000/12,000
4848	A1A4848501	A10-4848-18TA	18/457	809/367	8,000/12,000
	A1A4848502	A10-4848-24TA	24/610	822/373	8,000/12,000
	A1A4848503	A10-4848-30TA	30/762	835/379	8,000/12,000
	A1A4848504	A10-4848-36TA	36/914	848/385	8,000/12,000
	A1A4848505	A10-4848-48TA	48/1219	874/396	8,000/12,000
4860	A1A4860500	A10-4860-18TA	18/457	875/397	8,000/12,000
	A1A4860501	A10-4860-24TA	24/610	885/401	8,000/12,000
	A1A4860502	A10-4860-30TA	30/762	900/408	8,000/12,000
	A1A4860503	A10-4860-36TA	36/914	915/415	8,000/12,000
	A1A4860504	A10-4860-48TA	48/1219	935/424	8,000/12,000
4872	A1A4872500	A10-4872-18TA	18/457	1050/476	8,000/12,000
	A1A4872501	A10-4872-24TA	24/610	1062/482	8,000/12,000
	A1A4872502	A10-4872-30TA	30/762	1080/490	8,000/12,000
	A1A4872503	A10-4872-36TA	36/914	1098/498	8,000/12,000
	A1A4872504	A10-4872-48TA	48/1219	1122/509	8,000/12,000
4896	A1A4896503	A10-4896-18TA	18/457	1310/594	8,000/12,000
	A1A4896504	A10-4896-24TA	24/610	1325/600	8,000/12,000
	A1A4896505	A10-4896-30TA	30/762	1346/610	8,000/12,000
	A1A4896506	A10-4896-36TA	36/914	1368/620	8,000/12,000
	A1A4896507	A10-4896-48TA	48/1219	1390/630	8,000/12,000
7272	A1A7272500	A10-7272-18TA	18/457	1686/765	8,000/12,000
	A1A7272501	A10-7272-24TA	24/610	1704/773	8,000/12,000
	A1A7272502	A10-7272-30TA	30/762	1723/781	8,000/12,000
	A1A7272503	A10-7272-36TA	36/914	1742/790	8,000/12,000
	A1A7272504	A10-7272-48TA	48/1219	1779/807	8,000/12,000

- Loadings comply with ANSI/SCTE 77 (See page 3 & 4)



# SPECIFICATIONS/DATA

# REPLACEMENT COVERS



STYLE 1								
DESCRIPTION	PART NO.	Old Catalog No.	L	W	T	R	LB	WB
30X48, BOLTED	C103048503	R10-3048-03	47 5/8	30 1/8	3	5	47 1/8	29 5/8
30X48, NON BOLTED	C003048500	R-3048-03	47 5/8	30 1/8	3	5	47 1/8	29 5/8
30X60, BOLTED	C103060501	R10-3060-03	59 5/8	30	3	5	59 1/8	29 1/2
30X60, NON BOLTED	C003060501	R-3060-03	59 5/8	30	3	5	59 1/8	29 1/2

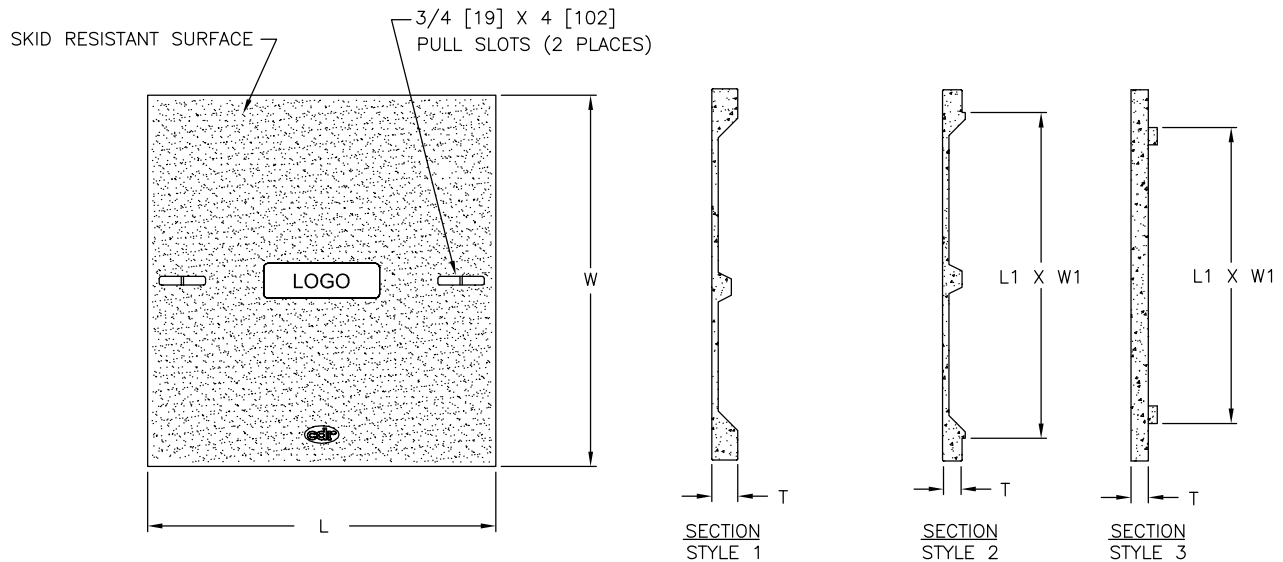
STYLE 2								
DESCRIPTION	PART NO.	Old Catalog No.	L	W	T	R	LB	WB
10X17, 4X6 METER LID, BOLTED*	C18101702C	R-1017-2C	15 3/8	10 1/8	1 3/4	1	15 1/8	9 7/8
12X20, 4X6 METER LID, BOLTED*	C18122002C	R-1220-2C	18 1/8	11 1/4	1 3/4	1	17 7/8	11
13X24, BOLTED	C10132402A	R10-1324-02	23 1/4	13 3/4	2	1 3/8	23	13 1/2
13X24, NON BOLTED	C00132402A	R-1324-02	23 1/4	13 3/4	2	1 3/8	23	13 1/2
15X17, 4X6 METER LID, NON BOLTED*	C08151702E	R-1517-2C	14 9/16	16 9/16	1 1/2	2 1/2	14 5/16	16 5/16
15X27, 4X6 METER LID, NON BOLTED*	C08152702E	R-1527-2C	26 7/8	15 1/4	1 3/4	1 3/8	26 5/8	15
17X30, BOLTED	C101730500	R10-1730-02	30 1/2	17 1/2	2	1 3/8	30 1/4	17 1/4
17X30, NON BOLTED	C001730500	R-1730-02	30 1/2	17 1/2	2	1 3/8	30 1/4	17 1/4
20X42, BOLTED	C10204202A	R10-2042-02	43 1/8	21 1/8	2	1 3/8	42 3/4	20 3/4
20X42, NON BOLTED	C00204202A	R-2042-02	43 1/8	21 1/8	2	1 3/8	42 3/4	20 3/4

- COVERS SHOWN ARE RATED TIER 8. ALSO AVAILABLE WITH TIER 15 RATING.
- OPTIONS: INDIVIDUAL LOGOS, BOLTED AND NON-BOLTED, SELF CLOSING METER READING DOOR.
- \* EXCLUDES COVER WITH METER LIDS - THESE ARE RATED TIER 5

Dimensions in brackets are in millimeters

# SPECIFICATIONS/DATA

## CABLE TRENCH COVERS

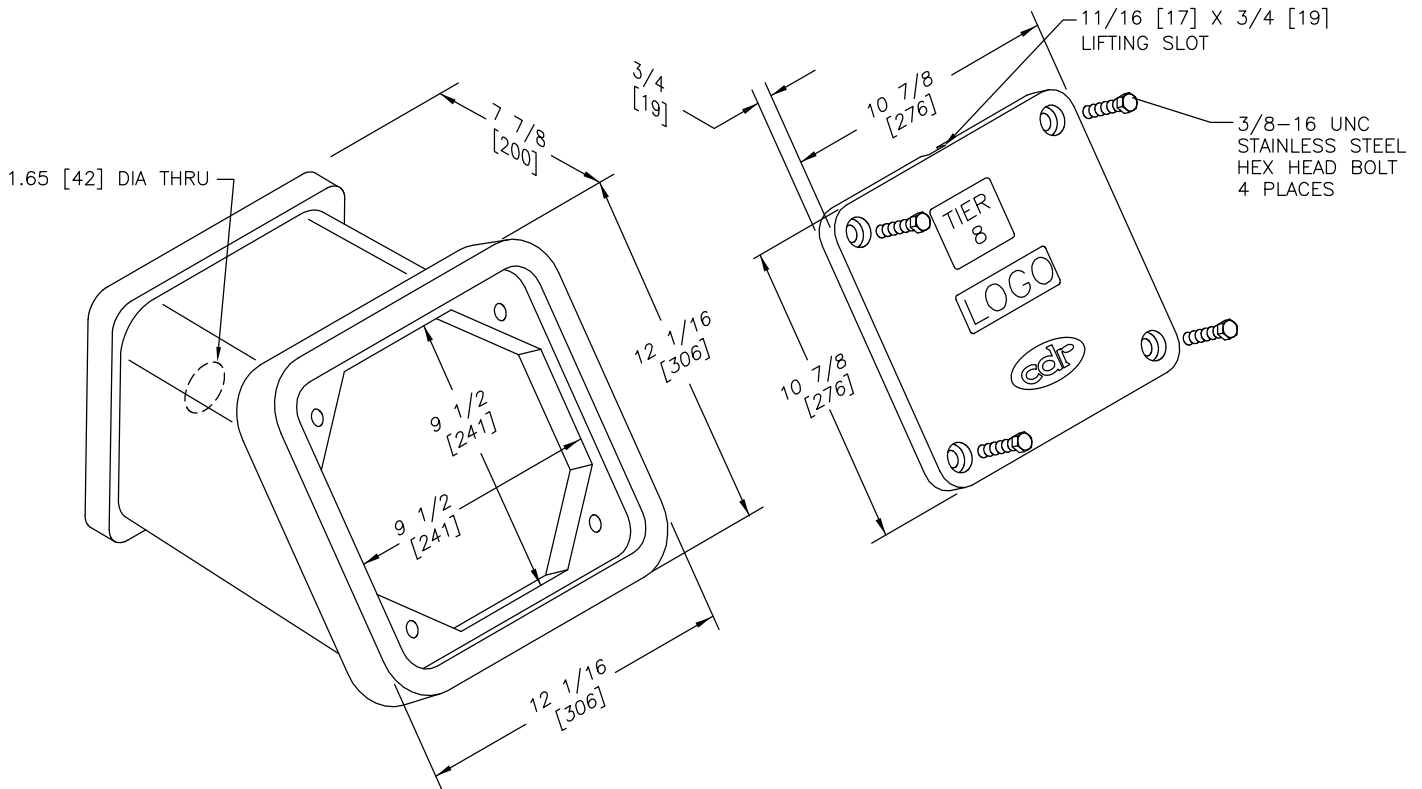


### DIMENSIONS

PART NO.	Old Catalog No.	STYLE	L	W	T	L1 X W1
C07205202A	PC00-2052-02	3	20	52	1 1/2	11 X 45 1/2
C07215302A	PC00-2153-02	2	52 3/4	20 3/4	1 1/2	46 1/4 X 14 1/4
C07222802A	PC00-2228-02	1	28	22	2	
C07234102A	PC00-2341-02	2	41 1/4	22 3/4	1 1/2	34 3/4 X 16 1/4
C07263802A	PC00-2638-02	2	38 1/2	26 1/2	1 1/2	35 X 23
C07274002A	PC00-2740-02	2	39 3/4	26 3/4	1 1/2	33 1/4 X 20 1/4
C07294102A	PC00-2941-02	2	40 3/4	29 1/4	1 1/2	34 1/4 X 24 3/4
C07303202A	PC00-3032-02	3	30	32	1 1/2	21 X 25 1/2

LOAD CAPACITY: PEDESTRIAN (300 LBS/SQ FT)

- OTHER SIZES ARE AVAILABLE, CONTACT CDR CUSTOMER SERVICE WITH YOUR REQUIREMENTS.



MATERIAL: FIBER REINFORCED POLYMER CONCRETE & FIBER REINFORCED POLYESTER

BOX				
DESCRIPTION	Part No.	Old Catalog No.	WEIGHT# LBS./kg.	DESIGN/TEST LOAD#
Tier 8	B33111115A	PB33-1111-15	13/6	8,000/12,000

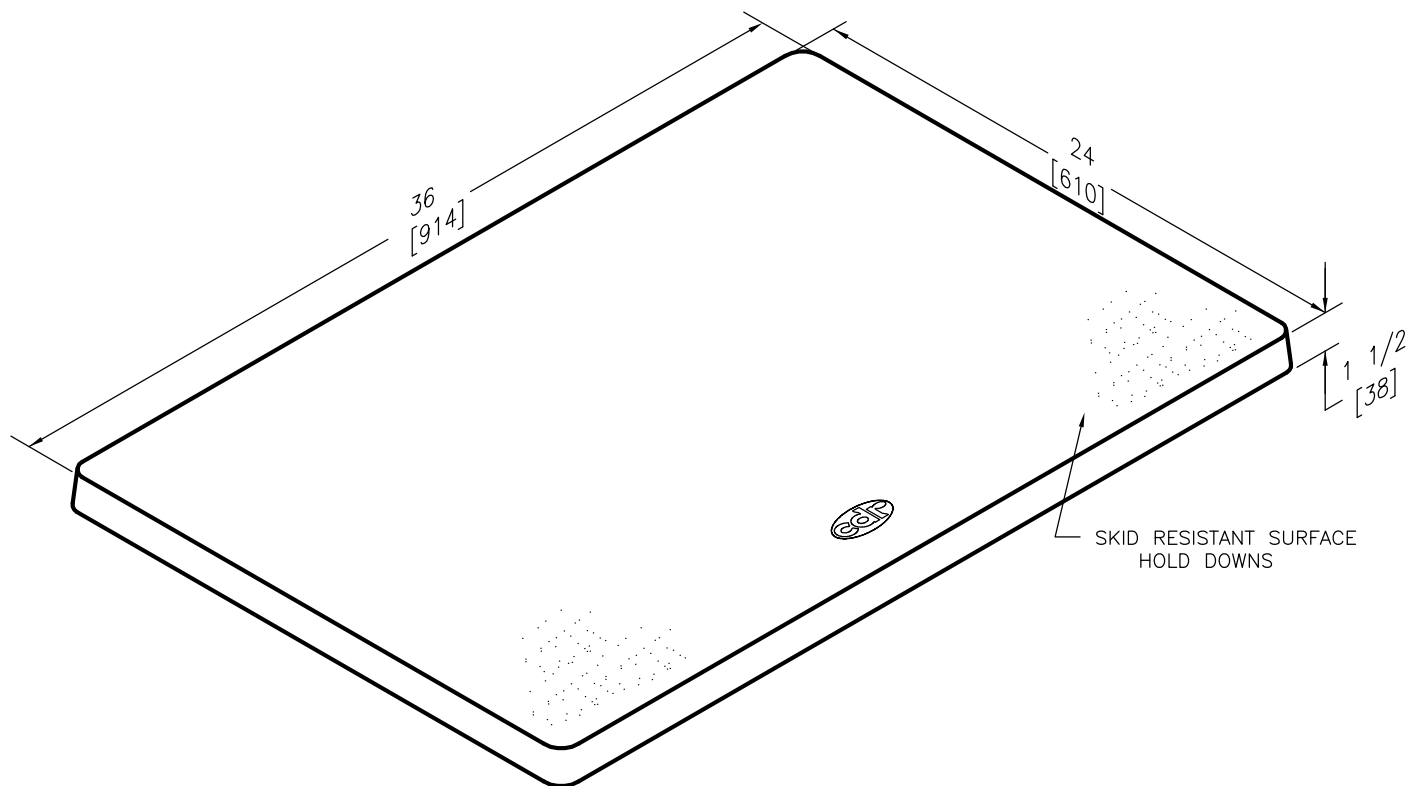
• Loadings comply with ANSI/SCTE 77 (See page 9)

COVER [Blank unless logo is specified]					
DESCRIPTION	PART NO.	Old Catalog No.	WEIGHT# LBS./kg.	DESIGN/TEST LOAD#	ANSI TIER
Tier 8 w/4 Bolts	C30111101A	PC30-1111-01	5/2	8,000/12,000	8

Dimensions in brackets are in millimeters

# SPECIFICATIONS/DATA

## TRAFFIC SIGNAL CABINET WORK PAD

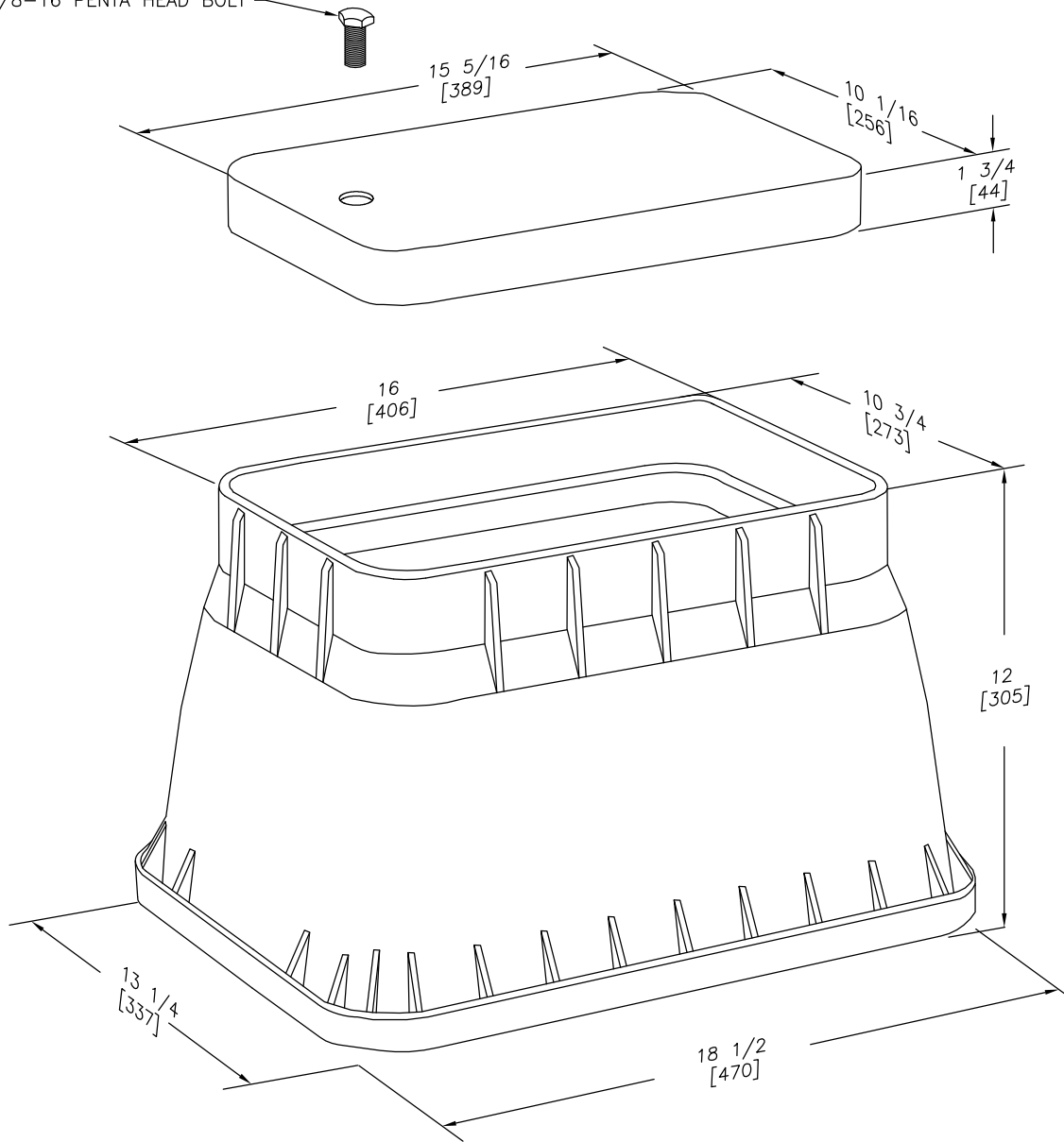


MATERIAL: FIBER REINFORCED POLYMER CONCRETE & FIBER REINFORCED POLYMER

WORK PAD		
Part No.	Old Catalog No.	WEIGHT# LBS./kg.
PT2436020000A	SC00-2436-02	98/44

Dimensions in brackets are in millimeters

3/8-16 PENTA HEAD BOLI



MATERIAL: REINFORCED THERMOPLASTIC POLYMERS  
 RATED FOR FOR PEDESTRIAN TRAFFIC ONLY


<b>PLASTIC RECTANGULAR ASSEMBLY</b>		
Part No.	Old Catalog No.	WEIGHT# LBS./kg.
A47101512A	PLA1-1015-12	11/5

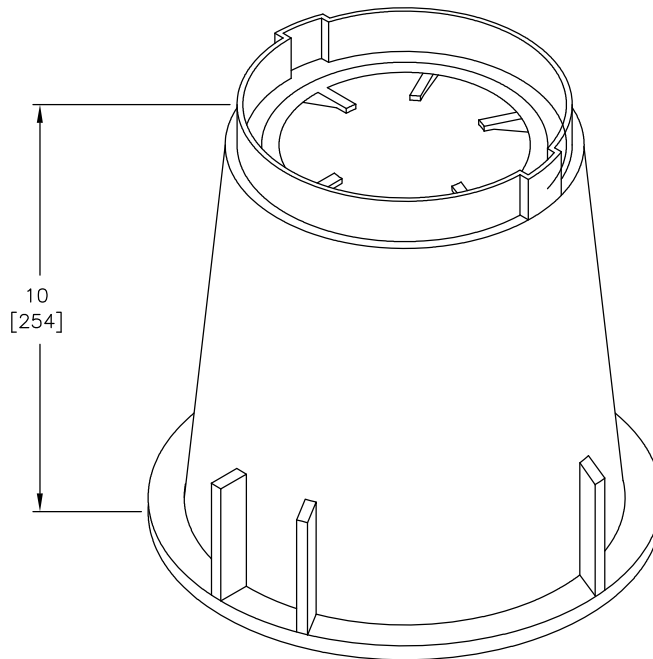
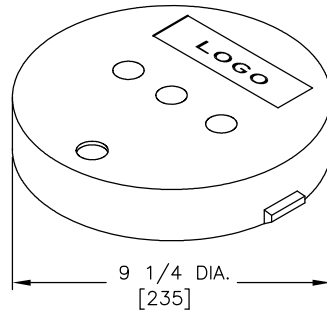
Dimensions in brackets are in millimeters



# SPECIFICATIONS/DATA

## PLASTIC ROUND ENCLOSURE ASSEMBLY

3/8-16 HEX HEAD BOLT 



MATERIAL: REINFORCED THERMOPLASTIC POLYMERS  
RATED FOR FOR PEDESTRIAN TRAFFIC ONLY

PLASTIC ROUND ENCLOSURE ASSEMBLY		
Part No.	Old Catalog No.	WEIGHT# LBS./kg.
A37090010A	PLA1-0900-10	5/2

Dimensions in brackets are in millimeters



## PADS AND BOX PADS

- **LIGHTWEIGHT-** Quick easy installation for LOWEST INSTALLED COST
- **HIGH STRENGTH** Special combination of polymer concrete and fiber reinforced polyester – 3 to 4 times the compressive strength of concrete and has the tensile strength of steel.
- **PADS AVAILABLE with CABLE WELLS--** also can be bolted directly to CDR boxes for use as a cable well
- **NON-CONDUCTIVE-** And unaffected by UV light, moisture, freezing and sub soil chemicals
- **PADS HAVE UNISTRUTS-** or threaded insert mounting
- **UNIVERSAL PAD MOLD-** CDR can make to any special size up to 102" x 125" x 4" thick
- **BOX PADS OPTIONS-** Include mouseholes, holes, knockouts, terminators and pulleys Please consult factory for sizes

## "BUILD A PART" NUMBER SYSTEM

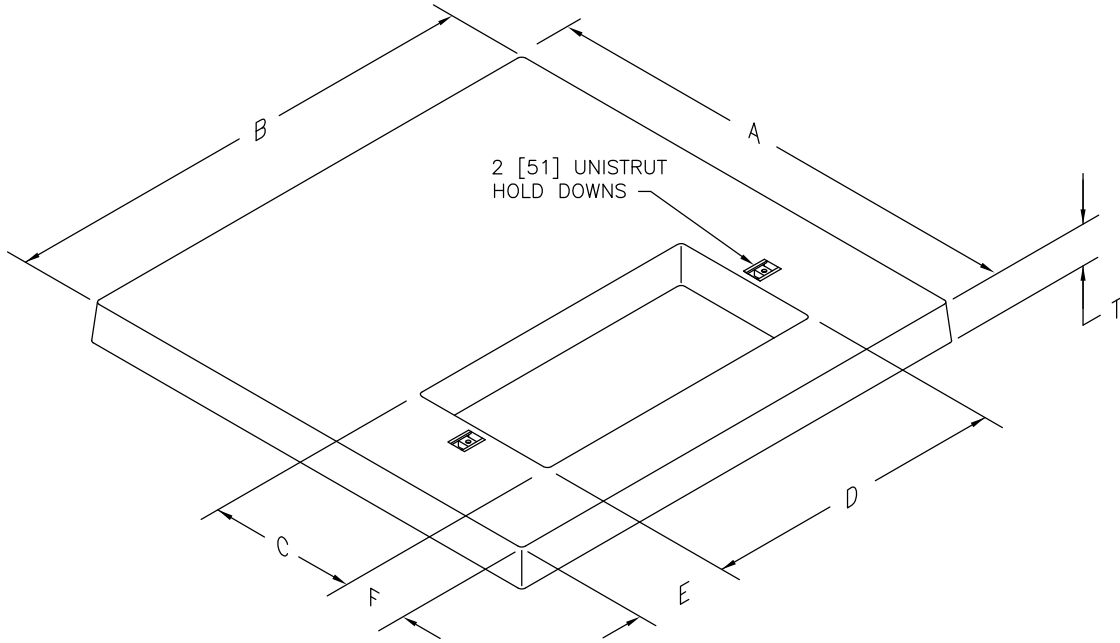
### CDR Catalog Numbering System for Box Pads and Equipment Pads

1	2	3,4,5,6	7,8	9,10,11,12	13	14	15	
<u>Material</u>	<u>Product Type</u>	<u>Width x Length</u>	<u>Height</u>	<u>Throat Size</u>	<u>Insert Size</u>	<u>Options</u>	<u>Options</u>	
P (Polymer)	B (Transformer Box Pad)	2367	01	1440	A (No Inserts)	0 (No Inserts)	0 (Standard)	
	D (Dual Throat Box Pad)	3652	03	1525	B (3/8")	1-9 (Number of Inserts) (or Holes)	B (Brackets)	
	E (Smooth Surface Flat Pad)	3843	04	1826	C (3/8" w/ bolts)		C (Cable Wells)	
	G (Ground Sleeve)	4044	15	2020	D (1/2")		D (Cable Wells & Levels)	
		4248	18	2224	E (1/2" w/ bolts)		E (Cable Wells & Brackets)	
		4457	20	2263	F (5/8")		F (Brackets & Levels)	
	S (Switchgear Box Pad)	4848	24	2626	G (5/8" w/ bolts)		H (Hardware)	
	T (Textured Surface Flat Pad)	5052	30	2632	H (9/16" thru holes)		L (Levels)	
		6369	32	3030	J (Struts w/ 3/8" Inserts)		R (Rounded End)	
		7378	48	3639	K (Struts w/ 1/2" Inserts)		T (Twin Pad)	
		8589		6264	L (Struts w/ 5/8" Inserts)			
				7274				
					9,10,11 <u>Logo field</u>		<u>Special customer numbers</u>	
	C (Box Pad Cover)			17 (Electric)	6	0	0	

Old CDR Number  
 PP-426004-0926  
 PP-747404-1358  
 BP30-384324-2020  
 BP20-636920-4958  
 BC30-636901

New CDR Number  
 PE4260040926J00  
 PE7474041358J00  
 PB3843242020B00  
 PB6369204958D00  
 PC63690117





- MATERIAL: FIBERGLASS REINFORCED POLYMER CONCRETE & FIBERGLASS REINFORCED POLYMER
- SPECIFY CABLE OPENING SIZE AND LOCATION IF DIFFERENT THAN SHOWN.
- MANY OTHER SIZES AVAILABLE, PLEASE CONSULT CUSTOMER SERVICE.
- SPECIFY SIZE & LOCATION OF ANY OTHER INSERTS AND/OR HARDWARE REQUIRED.

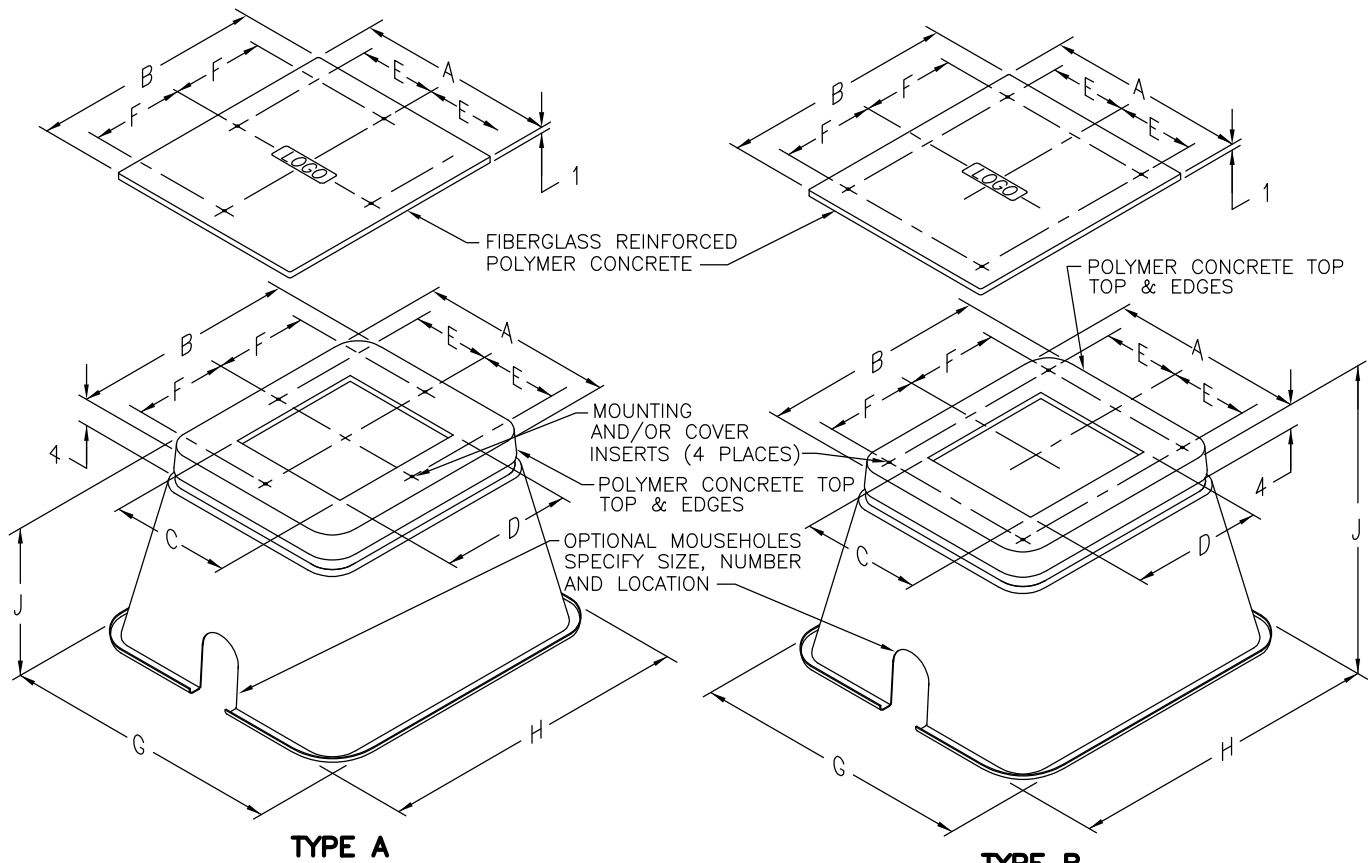
### POWER AND TELEPHONE EQUIPMENT PADS

PART NO.	Old Catalog No.	A IN./mm	B IN./mm	C IN./mm	D IN./mm	E IN./mm	F IN./mm	T IN./mm	WEIGHT# LBS./kg.
PE1818040000A00	_P-181804	18/457	18/457	NA	NA	NA	NA	4/102	25/11
PE2729040000A00	_P-272904	27/686	29/737	NA	NA	NA	NA	4/102	65/29
PE3843042632B40	_P-384304-2632	38/965	43/1092	26/660	32/813	14 1/2/368	5 1/2/140	4/102	70/32
PE4053041028B40	_P-405304-1028	40/1016	53/1346	10/254	28/711	6/152	7/178	4/102	170/77
PE4054031225B4R	_P-405403SP-1225	40/1016	54/1372	12/305	25/635	8/203	4/102	3/76	135/61
PE4242031226B40	_P-424203-1226	42/1067	42/1067	12/305	26/660	8/203	6/152	3/76	105/48
PE4242041226B40	_P-424204-1226	42/1067	42/1067	12/305	26/660	8/203	6/152	4/102	140/64
PE4248031226B40	_P-424803-1225	42/1067	48/1219	12/305	25/635	8/203	6/152	3/76	125/57
PE4248041226B40	_P-424804-1226	42/1067	48/1219	12/305	26/660	8/203	6/152	4/102	167/76
PE4260040926B40	_P-426004-0926	42/1067	60/1524	09/229	26/660	8/203	25 1/2/648	4/102	205/93
PE4343041131B40	_P-434304-1131	43/1092	43/1092	11/279	31/787	6/152	7/178	4/102	135/61
PE4457041529B40	_P-445704-1529	44/1118	57/1449	15/381	29/737	7 1/2/191	7 1/2/191	4/102	200/91
PE4848041224B40	_P-484804-1224	48/1219	48/1219	12/305	24/610	12/305	12/305	4/102	185/84
PE4854041826B40	_P-485404-1826	48/1219	54/1372	18/547	26/660	11/279	7/178	4/102	190/86
PE5275041440B40	_P-527504-1440	52/1321	75/1905	14/356	40/1016	6/152	6/152	4/102	310/141
PE6060041231B40	_P-606004-1231	60/1524	60/1524	12/305	31/787	14 1/2/368	14 1/2/368	4/102	290/132
PE6072041032B40	_P-607204-1032	60/1524	72/1829	10/254	32/813	31/787	14/356	4/102	360/163
PE6464041254B40	_P-527504-1254	64/1626	64/1626	12/305	54/1372	5/127	5/127	4/102	310/141
PE7474041358B40	_P-747404-1358	74/1880	74/1880	13/330	58/1473	8/203	8 3/4/222	4/102	425/193
PE8080041658B40	_P-607204-1032	80/2032	80/2032	10/254	32/813	11/279	12/305	4/102	495/225
PE8490041765B40	_P-849004-1765	84/2032	90/2286	17/2286	65/1651	12 1/2/318	16/406	4/102	610/276
PE1010041878B40	_P-10210204-1878	102/2591	102/2591	18/432	78/1981	12/305	12/305	4/102	900/408
PE1012043674B40	_P-10212504-3674	102/2591	125/3175	31/787	74/1880	14/356	12/305	4/102	950/431

\*Telephone Pads may be made with center openings (those pads will have non skid surface)

# SPECIFICATIONS/DATA

## THE "HARD TOP" TRANSFORMER & SWITCHGEAR BOX PADS



CDR Transformer and Switchgear Box pads are made from polymer concrete and hand laid up fiberglass. Unique to CDR, the top 4 inches is made of polymer concrete for the ultimate in stiffness, strength and UV resistance.

COVER											
PART NO.	Old Catalog No.	A IN./mm	B IN./mm	WEIGHT# LBS./kg.							
PC384301	BC10-384301	38/965	43/1092	125/57							
STYLE A - BOXPAD & COVER SERIES											
PART NO.	Old Catalog No.	A IN./mm	B IN./mm	C IN./mm	D IN./mm	E IN./mm	F IN./mm	G IN./mm	H IN./mm	J IN./mm	WEIGHT# LBS./kg.
PB3843152224B40	BP20-384315-2224	38/965	43/1092	22/559	24/610	14/356	17/432	46.5/1181	51.75/1314	18/457	120/54
PB3843242020B40	BP30-384315-2020	38/965	43/1092	20/508	20/508	16/406	17/432	45.25/1149	50.75/1289	15/381	130/59
PB3843322632B40	BP30-384332-2632	38/965	43/1092	26/660	32/813	14/356	17/432	46/1168	51.5/1308	32/813	140/64
PB3843422632B40	BP30-384324-2632	38/965	43/1092	26/660	32/813	14/356	17/432	54.25/1378	48.75/1238	24/610	160/73
PB4044151826B40	BP30-404415-1826	40/1016	44/1118	18/457	26/660	19/483	19/483	48/1219	52/1321	15/381	150/68
PB4248322626B40	BP20-424832-2626	42/1067	48/1219	26/660	26/660	19/483	22/559	50.5/1283	56.5/1435	32/813	175/79
PB4457323639B40	BP30-445732-3639	44/1118	57/1448	36/914	39/991	19.5/495	22.5/572	53.69/1364	66.31/1684	32/813	220/99
PB4848153030D40	BP20-484815-3030	48/1219	48/1219	30/762	30/762	18/457	18/457	56/1422	56/1422	15/381	165/75
STYLE B - BOXPAD & COVER SERIES											
PART NO.	Old Catalog No.	A IN./mm	B IN./mm	C IN./mm	D IN./mm	E IN./mm	F IN./mm	G IN./mm	H IN./mm	J IN./mm	WEIGHT# LBS./kg.
PB2367321826B40	BP30-236732-1862	23/584	67/1702	18/457	26/660	10/254	29/737	39.88/1013	83.75/2127	32/813	160/73
PB3652181525B40	BP20-365218-1525	36/915	52/1321	15/381	25/635	14/356	22/559	44.5/1130	60.5/1537	18/457	190/86
PB5052181440D40	BP20-505218-1440	50/1270	52/1321	14/356	40/1016	20/508	22/559	58.5/1486	60.5/1537	18/457	265/120
PB6369204958D40	BP20-636920-4958	63/1600	69/1753	49/1245	58/1473	26.5/673	30.75/781	76.75/1949	82.75/2102	20/508	300/136
PB6369304958D40	BP20-636930-4958	63/1600	69/1753	49/1245	58/1473	26.5/673	30.75/781	81.25/2064	87.25/2216	30/762	335/152
PB6369484958D40	BP20-636948-4958	63/1600	69/1753	49/1245	58/1473	26.5/673	30.75/781	80.75/2051	86.5/2197	48/1219	400/181
PB7378326264D40	BP20-737832-6264	73/1854	78/1981	62/1575	64/1626	27.75/705	34.75/883	92.19/2341	98.38/2499	32/813	475/215
PB8589307274D40	BP20-858930-7274	85/2159	89/2261	72/1829	74/1880	25.5/648	39.25/997	103/2616	106/2692	30/762	550/249

Transformer and Switchgear Box pads are made from polymer concrete and hand laid up fiberglass. Unique to CDR, the top 4 inches is made of polymer concrete for the ultimate in stiffness, strength and UV resistance.

CDR box pads can be specified with pulleys, knockouts or mouseholes. Please consult customer service for sizes not listed.



## Most Popular Cover Logos

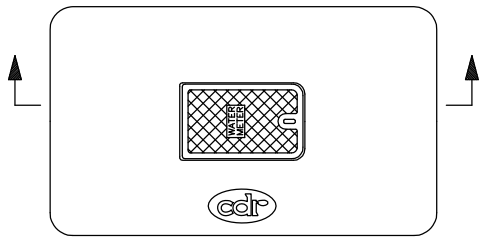
All covers are supplied without a logo unless specified.

## *Most Commonly Used Cover Logos*

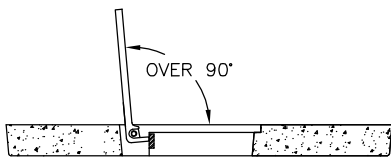
009 Blank	041 Street Lighting
03A DOT	042 Telecom
06B Instrumentation	043 Telephone
010 CATV	044 Traffic
012 Communication	045 Traffic Control
017 Electric	048 TV
022 Fire Alarm	050 Water
023 Gas	057 emergency
024 Ground	065 Illumination
026 High Voltage	081 Danger High Voltage
029 Lighting	084 Power
036 Security	K91 Reclaimed Water
038 Signal	KH1 Fiberoptic
040 State Traffic Signal	OZA Irrigation

# Typical Features and Details

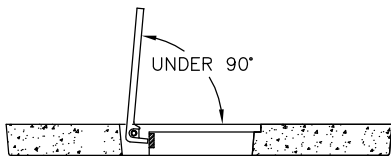
## READER LIDS, DROP-IN LIDS AND MOUSEHOLE DETAILS



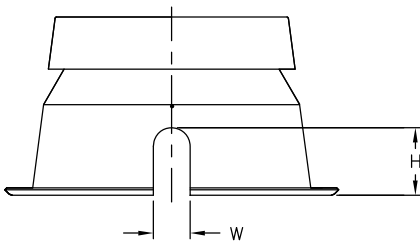
HINGED CAST IRON READER DOOR  
(FOR METER BOXES, WATER, GAS, ETC.)



SECTION LID STAYS OPEN



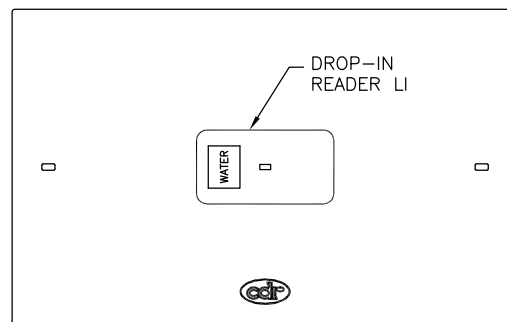
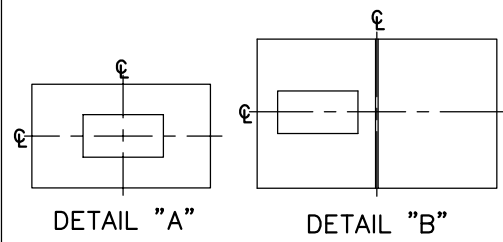
SECTION SELF CLOSING LID



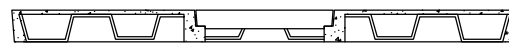
STANDARD MOUSEHOLES		
BOX SERIES	W	H
11 X 18	2-1/2	3
13 X 24	2-1/2	3
15 X 27	2-1/2	3
17 X 30	2-1/2	3
24 X 36	3	5
30 X 48	3	5
30 X 60	3	5
36 X 60 & LARGER	4	6

STANDARD READER DOOR LOCATION		
BOX SIZE	DOOR SIZE	DETAIL
11 X 18	4 X 6	A
13 X 24	4 X 6	A
15 X 27	4 X 6	A
17 X 30	6 X 9	A
24 X 36	6 X 9	A
30 X 48	6 X 9	A
36 X 60 (1PC)	6 X 9	A
36 X 60 (2PC)	6 X 9	B
48 X 78 (2PC)	6 X 9	B
48 X 96 (3PC)	6 X 9	*

\* READER DOOR CENTERED  
IN CENTER COVER



COVER



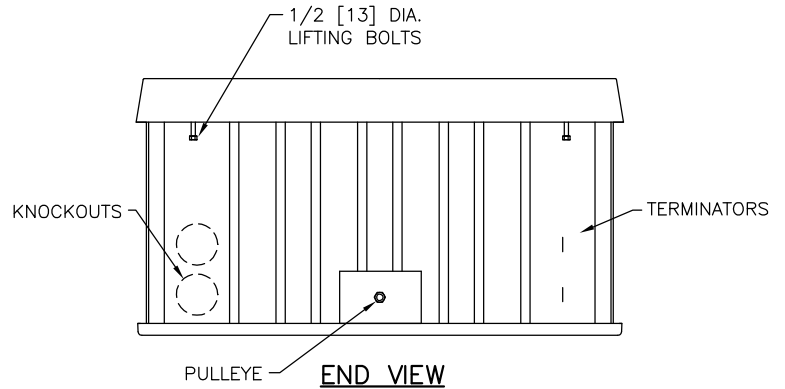
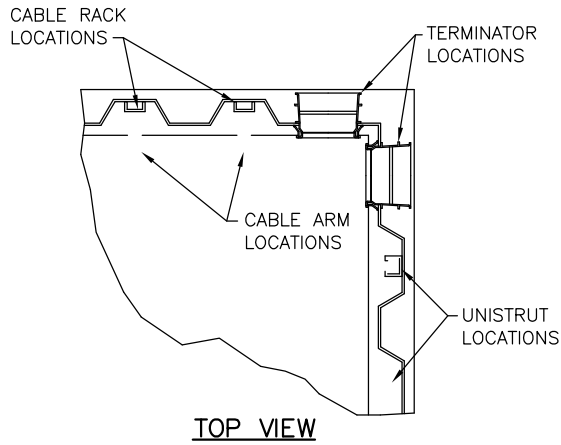
COVER SECTION

DROP IN READER LID SIZES
6 x 9 x 1
7 x 13 x 1
7 x 13 x 1 1/4
9 x 15 x 1
9 - ROUND



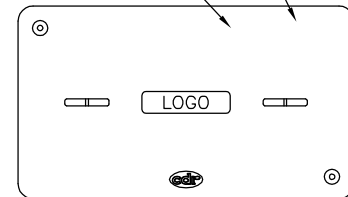
# Typical Features and Details

BOX AND COVER AVAILABLE OPTIONS

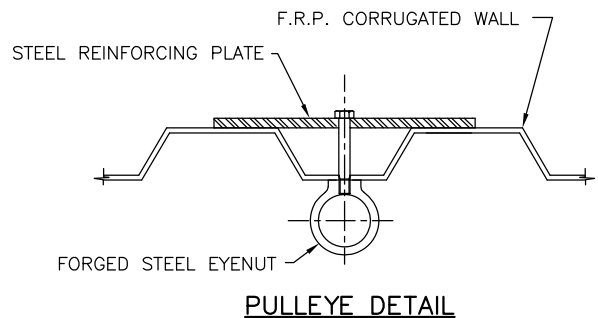
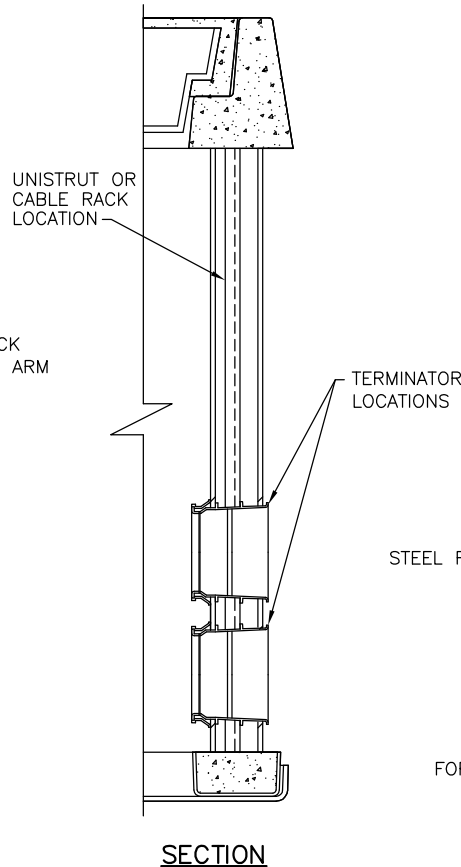
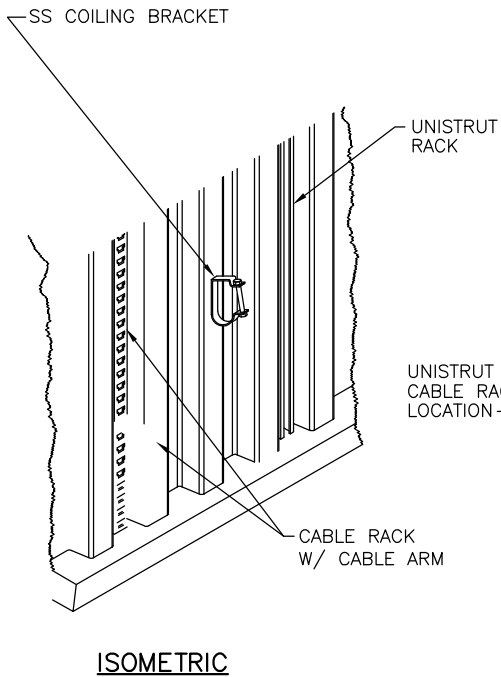


OPTIONAL 2 [51] DIA. THRU HOLE  
 W/ 4 1/8 [105] DIA. X 3/16 [5] C'BORE  
 TOUCH READ OR RADIO READ OPENING  
 MORE SIZES ARE AVAILABLE  
 CONTACT SALES ASSOCIATE  
 FOR MORE INFORMATION

OPTIONAL TELEPHONE OR ELECTRIC  
 EMS MARKER (CAST IN COVER)



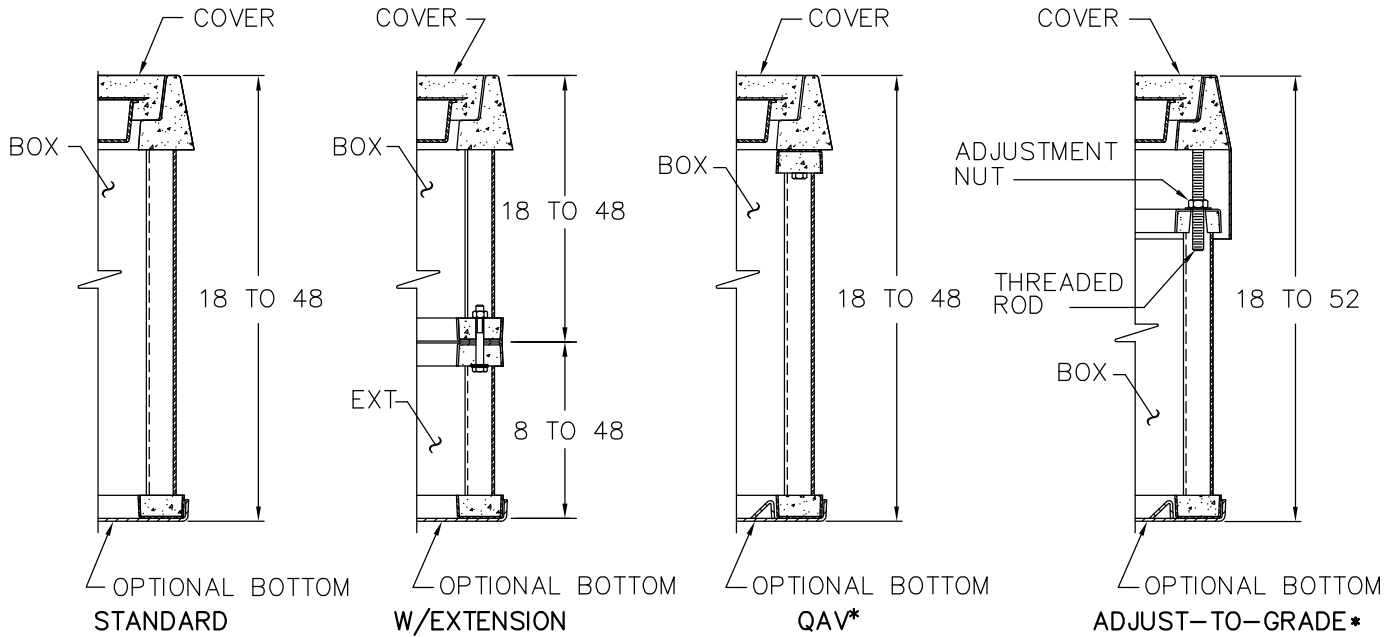
**COVER**  
**w/ ELECTRONIC MARKER**  
**& TOUCH READER OPTIONS**



• ALL OPTIONS ARE AVAILABLE  
 IN ALL BOX SIZES.  
 (CONTACT SALES ASSOCIATE FOR  
 MORE DETAILS)

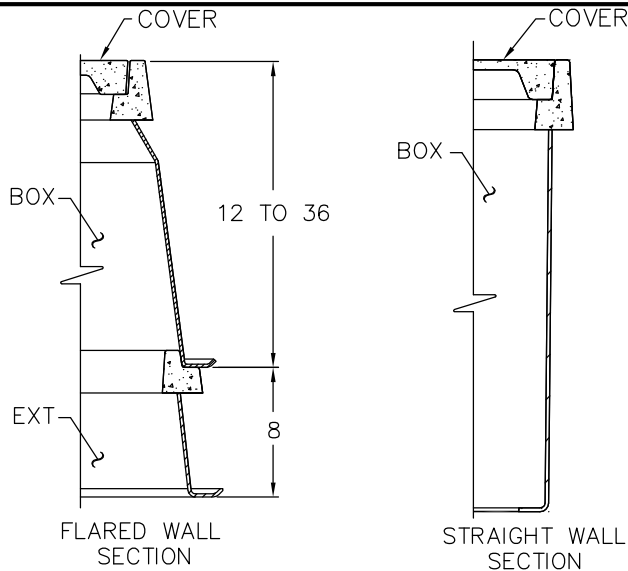
# SPECIFICATIONS/DATA

# TYPICAL WALL SECTIONS

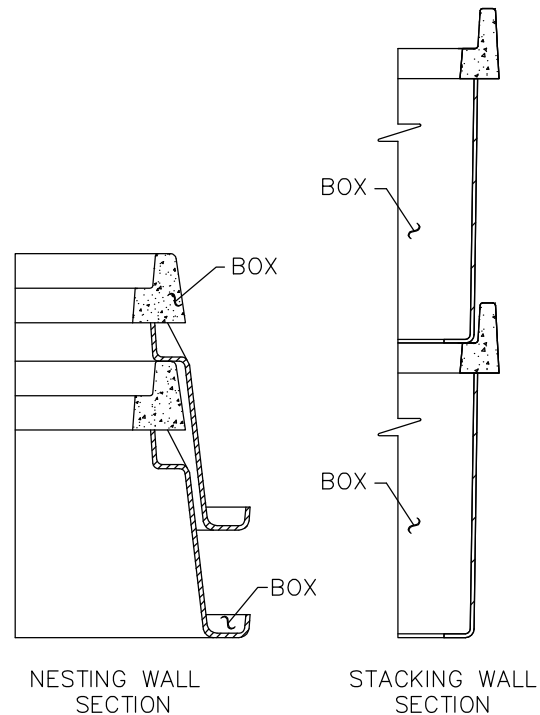


- |                |                |
|----------------|----------------|
| 30 X 48 SERIES | 48 X 72 SERIES |
| 30 X 60 SERIES | 48 X 78 SERIES |
| 36 X 60 SERIES | 48 X 96 SERIES |
| 48 X 48 SERIES |                |

\* CAN RETROFIT IN PLACE WITH TOP EXTENSIONS TO ACCOMMODATE FUTURE GRADE CHANGES



- |                 |                        |
|-----------------|------------------------|
| 10 X 15 SERIES  | } EXTENSIONS AVAILABLE |
| 11 X 18 SERIES  |                        |
| 15 X 17 SERIES  |                        |
| 15 X 27 SERIES  |                        |
| 13 X 24 SERIES  |                        |
| 17 X 30 SERIES  |                        |
| 24 X 36 SERIES  |                        |
| 30 X 48W SERIES |                        |



## Standard Small Enclosure Installations

### ***Installation Guidelines for Enclosure Sized 2448 and Smaller:***

#### **1. Prepare the Excavation**

- 1.01 Excavate approximately 10 inches greater around the actual outside dimension of the Enclosure to be installed and 6 inches deeper than to depth will be required for installation.
- 1.02 Add 6 inches of gravel or crushed rock for drainage.

#### **2. Place Enclosure in Hole**

- 2.01 Top of Enclosure should be at grade level.

#### **3. Fill and Compact Soil**

- 3.01 Fill to grade level with cover in Enclosure.

#### **4. Grade Adjustment**

- 4.01 If grade level is raised later, a straight sided Enclosure can be pulled up and bricked at the bottom on one or four sides to conform to the landscape.

## Hole Cutting Instructions

### ***Preferred Method for Cutting Holes in CDR Enclosures:***

#### **Wood Cutting Hole Saw**

1. Drill a 7/8" pilot hole with a carbide tipped drill.
2. Drill hole using a hole saw. A diamond tipped hole saw will be able to cut more holes than a regular hole saw.
  - This is the preferred method from engineering.
  - Estimated drilling time is 15 – 20 seconds
  - Holes cut in the enclosure should not exceed more than 25% of the area of each sidewall and should not be cut into a structural reinforcing rib, corner, or box lip.

## **Standard Large Enclosure Installations**

### ***Installation Guidelines for Enclosure Sized 3048 and Larger:***

#### **1. Select an appropriate site or location for an underground enclosure**

- 1.01 Utility easements
- 1.02 Streets
- 1.03 Parking lots
- 1.04 Parking lot entrances
- 1.05 Shipping & delivery docks
- 1.06 Waste removal (dumpster)

#### **2. Place Conduit or water pipes**

- 2.01 Trenching or plowing of conduit.
- 2.02 Boring under road crossings & railroads.
- 2.03 Mark depth of conduit (marker tape).

#### **3. Prepare the Excavation**

- 3.01 Excavate approximately 10 inches greater around the actual outside dimension of the Enclosure to be installed and 6 inches deeper than to depth will be required for installation.

#### **4. Prepare the enclosure for Placement**

- 4.01 Unpalletize the enclosure.
- 4.02 Place nylon straps or chains around the lifting bolts or through lifting holes and secure to the backhoe or equivalent excavation equipment bucket.
- 4.03 Lift the enclosure and place it into the hole.
- 4.04 Place gravel in the enclosure and around the side if necessary.
- 4.05 Lift the enclosure to the proper elevation allowing the gravel to run out under the enclosure.
- 4.06 Check the elevation of the enclosure with a level and range pole.
- 4.07 Make the necessary elevation adjustments with lifting equipment and recheck the elevation.
- 4.08 Once the enclosure is set to the proper elevation, reinstall the cover or covers and backfill.
- 4.09 If 95% compaction is required, internal bracing should be used on all manufacturer's enclosures to prevent deflection and premature failure. Please see sheet 144 for internal bracing recommendations.

## INTERNAL BRACING FOR BOX INSTALLATION

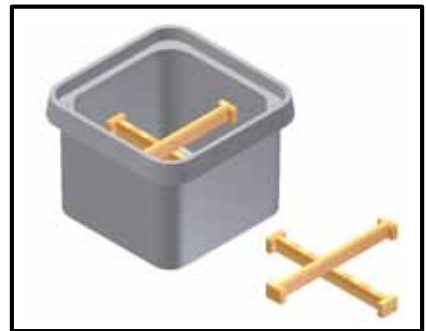
### **Installation Guidelines for Internal Bracing:**

Internal bracing may be warranted for any manufacturer's underground enclosure. If 95% compaction is required or if heavy vehicles are going to be present during construction and/or throughout the life of the enclosure, internal bracing during back-filling operations will ensure minimal box sidewall deflections. This installation practice applies to enclosures made from any material to maintain the original sidewall geometry.

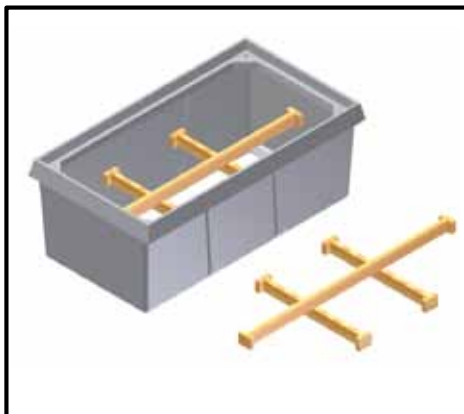
Supports should be 2 x 4 or similar material sized to hold at mid-depth.



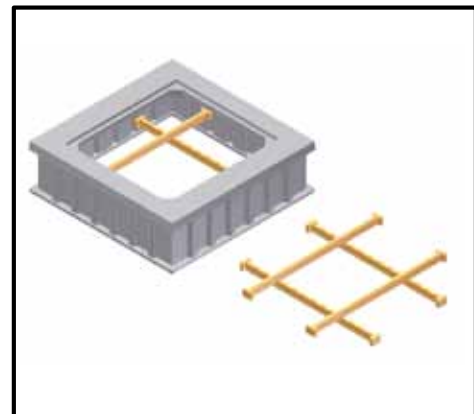
**3048**



**Sizes 3636 and 4848**



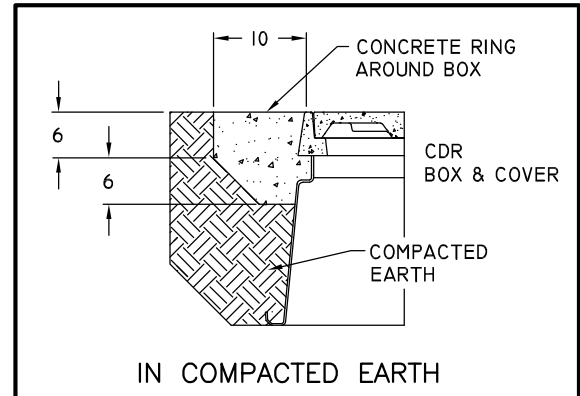
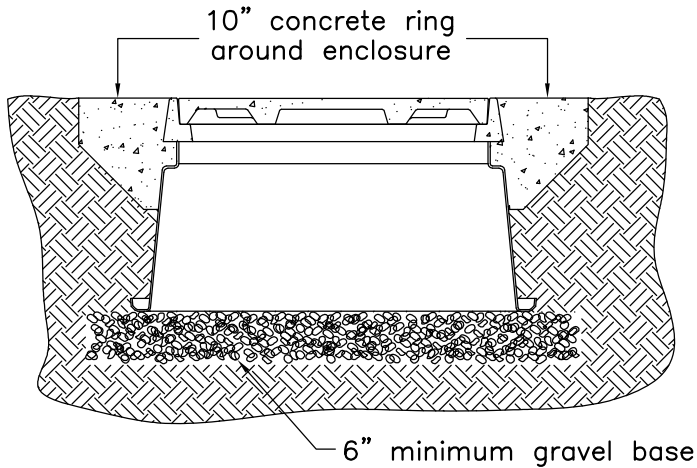
**Sizes 3060 thru 4896**



**Larger than 4896**

**Note: Regardless of the design and materials used in the construction of the product, the bracing required is the same.**

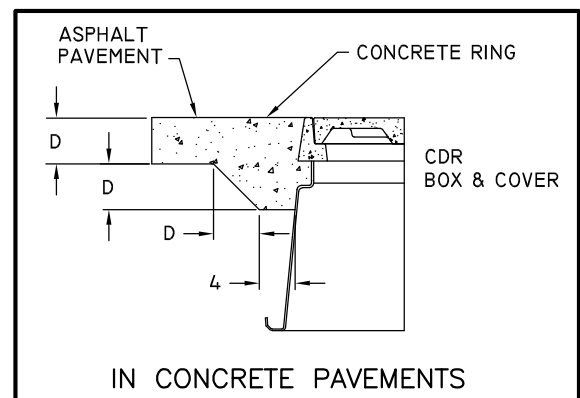
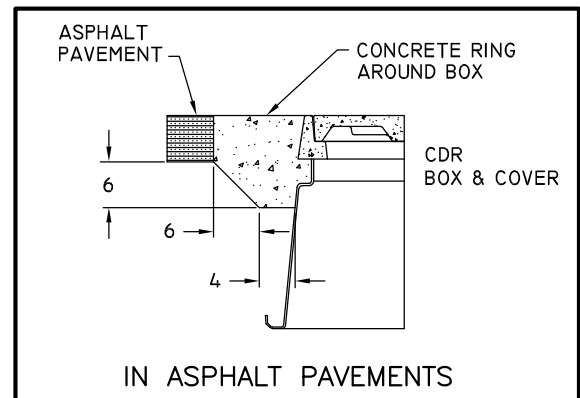
# CONCRETE COLLAR APPLICATIONS



Concrete collars may be desired for installations in driveways, parking lots and off-roadway applications where subject to occasional non-deliberate traffic. This applies to boxes made from any material to provide added protection for the top lip. This is not necessary in grassy areas or areas subject to pedestrian traffic. However, it is recommended and is referred to as a "housekeeping apron". It prevents mower blades from contacting the edges of the box.

## Notes:

1. Concrete encasement to be 3,000 psi minimum.
2. Concrete encasement collar dimension, D, to be equal to design pavement depth.
3. Pavement and subgrade to be as shown on the engineering plans.



## **Box Pad Installations**

### ***Installation Guidelines for Box Pads***

#### **1. Prepare the Excavation**

- 1.01 Excavate a sufficiently large and deep area to set the box pad. If normal utility practice is to install a gravel base, then the excavation should be deep enough to allow base installation. The excavations should be planned to leave approximately the top 4 inches of the box pad exposed above the planned finish grade.

#### **2. Placement**

- 2.01 Place the base material, tamp and level following utility normal practices.

#### **3. Boypad Placement**

- 3.01 Set the box pad in the excavation, assuring even support under the lower flange and assuring that the top surface is at the correct level and grade.
- 3.02 Install any grounding equipment and barriers at the the appropriate time as called for by utility standard practices.
- 3.03 Place backfill around the boypad following normal utility practices for backfilling. Complete backfill to rough grade if finish grading will be done later. Fill to final grade with planned finishing materials.
- 3.04 If 95% compaction is required, internal bracing should be used on all manufacturer's enclosures to prevent deflection and premature failure. Please see sheet 147 for internal bracing recommendations.

#### **4. Utility Equipment Placement**

- 4.01 Install utility equipment on the box pad. Follow utility plans for completing installation.

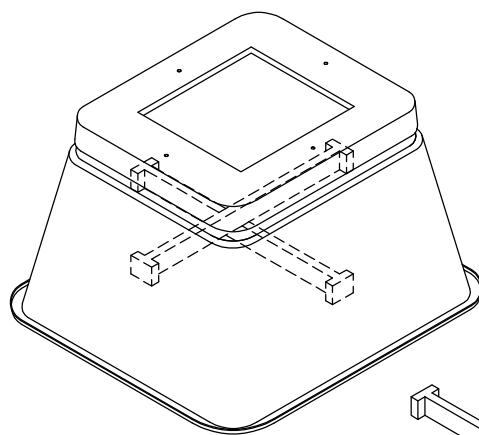


## INTERNAL BRACING FOR BOX PAD INSTALLATION

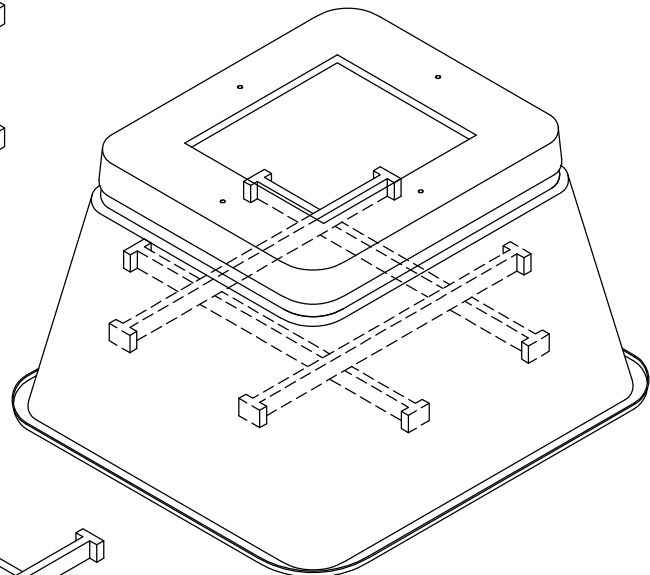
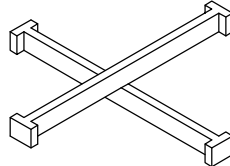
### ***Installation Guidelines for Internal Bracing:***

Internal bracing may be warranted for any manufacturer's underground enclosure. If 95% compaction is required or if heavy vehicles are going to be present during construction and/or throughout the life of the enclosure, internal bracing during back-filling operations will ensure minimal box sidewall deflections. This installation practice applies to enclosures made from any material to maintain the original sidewall geometry.

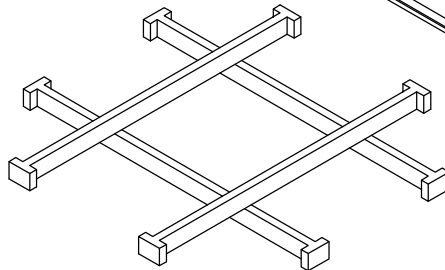
Supports should be 2 x 4 or similar material sized to hold at mid-depth.



**4848 and smaller**



**Larger than 4848**



**Note:** Regardless of the design and materials used in the construction of the product, the bracing required is the same.

## **Power and Telecommunication Pads Installations**

### ***Installation Guidelines for Power and Telecommunication Pads***

The following installation procedure is the same for all sizes of foundation pads.

1. Determine cable/conduit entry position.
2. Excavate around cable entry position to accommodate size of pad to be installed and sub-grade fill as specified by utility standards. Recess area as required so pad face will be three inches above grade when installation is complete. Provide any soil treatments as specified by utility standards.
3. Level dirt around cable opening.
4. Level and tamp down dirt in the area to be occupied by the foundation pad.
5. Remove plastic protective covers from inserts to be used with a pair of pliers. Discard.
6. Place pad in prepared, level area with opening in pad (throat) directly over cable entry position.
8. Attach cabinet to the foundation pad with bolts, brackets, and/or lugs provided by cabinet manufacturer.
9. Backfill and tamp earth around pad so it is level with surrounding landscape.

## Quick Assembly Enclosure Installations

### ***Installation Guidelines for Quick Assembly Enclosures (QAV)***

#### **1. Prepare the Excavation**

- 1.01 Excavate approximately 10 inches greater around the actual outside dimension of the Enclosure to be installed and 6 inches deeper than to depth will be required for installation.
- 1.02 For installation around an existing transformer, determine at the site the appropriate procedure and sequence for removing the existing enclosure and installing the new enclosure.
- 1.03 Quick Assembly Enclosures are shipped dis-assembled and complete on one pallet. Enclosures are equipped with holes in each corner or the enclosure wall where a lifting sling can be attached for handling fully or partially assembled units with suitable lifting equipment.

#### **2. Enclosure Assembly**

- 2.01 Unpalletize the enclosure.
- 2.02 The following and tools may be required to assemble the enclosure:
  - Adjustable wrench
  - Hammer and/or mallet
  - Hex Socket or Open-end wrenches (3/4-in & 9/16-in)
  - Rasp or coarse file
  - Pliers
  - Band cutter or shears
  - Penta-socket wrench
  - Power saw (chop saw or saws-all)
- 2.03 Assemble enclosure per accompanying instructions. (It may be fully pre-assembled or may be assembled inside of the excavation as warranted by field conditions.)

#### **3. Prepare the enclosure for Placement**

- 3.01 If the enclosure is fully assembled outside the excavation, Place nylon straps or chains around the lifting bolts or through lifting holes and secure to the backhoe or equivalent lifting equipment.
- 3.02 Lift the enclosure and place it into the hole.
- 3.03 Place gravel in the enclosure and around the side if necessary.
- 3.04 Lift the enclosure to the proper elevation allowing the gravel to run out under the enclosure.
- 3.05 Check the elevation of the enclosure with a level and range pole.
- 3.06 Make the necessary elevation adjustments with lifting equipment and recheck the elevation.
- 3.07 Once the enclosure is set to the proper elevation, reinstall the cover or covers and backfill using procedures prescribed by your company's specifications or instructions.



# HUBBELL LENOIR CITY, INC. COMPLETE TERMS & CONDITIONS OF SALES

Hubbell Lenoir City, Inc. (hereinafter called HLC) hereby gives notice of its exception to any different or additional terms and conditions other than as stated herein. All sales are expressly made conditional on Buyer's assent to the following terms and conditions. Buyer's acceptance of the provisions of HLC's terms and conditions as recited herein shall be conclusively presumed upon Buyer's receipt of the goods, or if no written objection is received by HLC within fifteen (15) days from the date on HLC's order acknowledgment, whichever event shall first occur. These terms and conditions constitute the entire agreement between HLC and Buyer, and supersede other communications between the two parties, whether written or oral.

## PRICING

*Refer to appropriate Price Schedule, unless otherwise quoted.*

## TERMS

*HLC's payment terms are net 30 days. Invoices will be dated the day of shipment. A service charge of 1-1/2% per month or, if such rate exceeds the maximum lawful rate, the maximum lawful rate shall be assessed on all past due accounts and shall be payable on demand.*

## QUOTATIONS

*Unless otherwise stated in writing, HLC's quotations are subject to acceptance by the Buyer within thirty (30) days from the date of issue.*

## SALES AND SIMILAR TAXES

*HLC's prices do not include any sales, use, excise or similar taxes. Consequently, in addition to the price specified herein, the amount of any present or future sales, use, excise or other similar tax applicable to the sale or use of the equipment hereunder, shall be paid by the Buyer, or in lieu thereof the Buyer shall provide HLC with a tax exemption certificate acceptable to the taxing authorities.*

## ACCEPTANCE OF ORDERS

*All orders are subject to acceptance by HLC at its main office at 3621 Industrial Park Drive, Lenoir City, TN, USA, and to "HLC Complete Terms and Conditions of Sales". Any other terms proposed by Buyer are rejected unless expressly accepted in writing. Orders shall be deemed to be executed in the State of Virginia and shall be construed and performed in accordance with the Laws of that State. Acceptance of any order is subject to availability of product and the ability of HLC to deliver. Orders will be billed at prices in effect at time of shipment unless otherwise agreed.*

## SALES BY AGENTS

*Sales by agents or through overseas representatives shall be at prices, terms and conditions of sale specified by HLC. All invoices will be issued by and payment remitted to HLC.*

## DELAY

*HLC will use reasonable efforts to meet shipment or delivery dates specified by HLC, but such dates are estimates only. HLC shall in no event be liable for any delay or nondelivery if such delay or nondelivery is caused directly or indirectly by Acts of God, fire, flood, strike or lockout or other labor dispute, accident, civil commotion, riot, war, governmental regulation or order, whether or not it later proves to be invalid, or from any other cause or causes (whether or not similar to any of the foregoing) beyond HLC's control. In no case will HLC be liable for loss of profits or any special or consequential damages on account of any delay in delivery or nondelivery whether or not excused hereunder.*

## SHIPPING DEFERMENT

*Buyer requests for shipping deferment must be approved by HLC and are subject to price negotiation.*

## LIMITED WARRANTY AND LIMITATION OF LIABILITY

*MATERIAL: HLC warrants all products sold by it to be merchantable (as such term is defined in the Uniform Commercial Code) and to be free from defects in material and workmanship. Buyer must notify HLC promptly of any claim under this warranty. The Buyer's exclusive remedy for breach of this warranty shall be the repair or replacement, F.O.B. factory, at HLC's option, of any product defective under the warranty, which is returned to HLC within one year from the date of shipment. NO OTHER WARRANTY, WHETHER EXPRESS OR ARISING BY OPERATION OF THE LAW, COURSE OF DEALING, USAGE OF TRADE OR OTHERWISE IMPLIED, SHALL EXIST IN CONNECTION WITH HLC'S PRODUCTS OR ANY SALE OR USE THEREOF. HLC SHALL IN NO EVENT BE LIABLE FOR ANY LOSS OF PROFITS OR CONSEQUENTIAL OR SPECIAL DAMAGES INCURRED BY BUYER. HLC's warranty shall run only to the first Buyer of a product from HLC, from HLC's Buyer, or from an original equipment manufacturer reselling HLC's product, and is non-assignable and non-transferable and shall be of no force and effect if asserted by any person other than such first Buyer. This warranty applies only to the use of the product as intended by HLC and does not cover any modification, misapplication, or misuse of said product.*

Effective November 1, 2009

## **LIMITED WARRANTY AND LIMITATION OF LIABILITY (continued)**

*APPLICATION: HLC does not warrant the accuracy of and results from product or system performance recommendations resulting from any engineering analysis or study. This applies regardless of whether a charge is made for the recommendation, or if it is provided free of charge. Responsibility for selection of the proper product of application rests solely with the purchaser. In the event of errors or inaccuracies determined to be caused by HLC, its liability will be limited to the reperformance of any such analysis or study.*

*PURCHASER INSPECTIONS: Tests, inspections and acceptance of all material must be made at the factory. Purchasers' inspectors are welcome at the factories and are provided with the necessary facilities for carrying out their work. Name and phone number of who should be contacted for inspection should be given to HLC no later than two weeks prior to scheduled shipment date.*

*LIMITATION OF LIABILITY: IN NO EVENT, WHETHER AS A RESULT OF BREACH OF CONTRACT OR WARRANTY OR ALLEGED NEGLIGENCE, SHALL HLC BE LIABLE FOR SPECIAL OR CONSEQUENTIAL DAMAGES INCLUDING, BUT NOT LIMITED TO, LOSS OF PROFITS OR REVENUE, LOSS OF USE OF THE EQUIPMENT OR ANY ASSOCIATED EQUIPMENT, LOSS OF CAPITAL, COST OF SUBSTITUTE EQUIPMENT, FACILITIES OR SERVICES, DOWNTIME COSTS, OR CLAIMS OF THIRD PARTIES OF THE BUYER FOR SUCH DAMAGES. Any claim by Buyer for breach of the foregoing warranty shall be deemed waived by Buyer unless submitted to HLC in writing within thirty (30) days from the date Buyer discovered, or by reasonable inspection should have discovered the alleged breach. Any cause of action for breach of the foregoing warranty shall be brought within one year after the cause of action has accrued.*

## **FREIGHT ALLOWANCE and F.O.B. POINT**

*All shipments are F.O.B. origin. Risk of loss and title of goods shall pass to Buyer upon delivery to the designated carrier. Freight is prepaid and allowed on all shipments of products with a net order value of \$5,000 and above to destinations within the Continental U.S.A and Canada. Shipments to Alaska and Hawaii are F.O.B. Pacific Coast docks, collect beyond. Tool trailers will be F.O.B. HLC's dock – no freight allowed.*

*HLC reserves the right to route all qualified freight allowed shipments via least expensive surface route within the Continental United States and Canada. Buyer will assume all charges for transportation specified via more expensive means. Acceptance of a specified routing does not constitute a guarantee of ship date, transit time or arrival date. HLC will not be responsible for any cartage or storage charges at destination.*

*HLC's responsibility for exception-free delivery ceases when the transportation company receives shipment in good condition. Claims for loss or damage must be reported directly to the carrier. HLC's willingness to assist does not indicate liability for claim or replacement.*

## **PARTIAL RELEASE**

*If an order has multiple releases specified by the Buyer, each release will be treated as individual orders, relative to freight allowance and minimum billing.*

## **BACK ORDERS**

*Back orders that are the responsibility of HLC will be shipped F.O.B. factory or point of shipment with freight prepaid and allowed via the most cost effective method, providing the original order qualified for freight allowance.*

## **MINIMUM BILLING**

*Standard Orders -- \$400 net per order. Minimum waived on hardware only orders. \$40 surcharge for below minimum orders.*

## **ORDER ADD-ON POLICY**

*HLC's "Add-On" policy allows you to add items to an existing unshipped order for up to fifteen (15) days from the entry date of the original order.*

## **DELIVERY SCHEDULE**

*Based on estimated shipping dates, HLC makes every effort to meet Buyer's shipping requirements. HLC will not assume liability because of delayed shipment for any reason. HLC's responsibility ceases upon acceptance of shipment by carrier.*

## **CANCELLATIONS**

*Cancellation of an order for current stock product requires a minimum of five (5) days' notice prior to actual ship date. Stock item orders shipped after cancellation notice is received, but before expiration of the five-day requirement, will be subject to all standard Returned Goods conditions.*

*Cancellation on non-stock items may be made only if no work has been performed or material purchased. If cancellation is requested after work is in progress, there will be a cancellation charge as established by HLC.*

*Orders may not be cancelled unless HLC gives its written consent, and then only upon agreement as to applicable cancellation charges.*

Effective November 1, 2009



## RETURNED GOODS

GENERAL CONDITIONS applying to all transactions:

1. Merchandise is not returnable without the written consent of HLC.
2. Request for permission to return merchandise must be made in writing within one year from date of shipment, and Buyer must provide original HLC invoice number.
3. Material to be returned must be considered standard material by HLC.
4. HLC reserves the right to refuse returns of any special or made-to-order material, regardless of condition.
5. All returned goods must be in excellent, resaleable condition and packaged in the original carton. Products will be inspected upon return; and any service or repair needed to place them in first class, saleable condition will be charged and added to the restocking charge.
6. A 25% restocking charge will be deducted from all credits issued on authorized returns.
7. Return Goods Authorization (RGA) Packing List, supplied by the factory, must accompany the return shipment.
8. Return freight must be prepaid. Material must be received by HLC within sixty (60) days of issuance of RGA.
9. Net value of the return must not be less than \$250.
10. HLC reserves the right to deduct for any damage sustained in transit.
11. Unauthorized returns will be refused. Equipment returned without proper authorization from HLC will, at the sole option of HLC, be returned to the Buyer freight collect, or scrapped immediately with no issuance of credit. Unauthorized material included in a return will not be credited.

## BROKEN PACKAGE POLICY

Shipments will be made in standard package quantities or multiples thereof. HLC Customer Service will notify the Buyer of any orders that do not comply. The Buyer must authorize an adjustment to comply with standard package quantities before the order will be entered.

## QUOTATION PRICE PROTECTION

All prices shown in the price lists are subject to change without notice.

All quotations on special products or modifications to catalog items are binding only if confirmed in writing by the factory for the period shown on the quotation.

Price protection will be provided for a period of thirty (30) days from date of quotation from HLC.

## ORDERS

All orders are taken and prices quoted only with the understanding that each order shall be subject to the acceptance of HLC at its principal office upon such terms as we may specify when order is received.

Prices to cover amount of any sales or excise tax which now or hereinafter may be imposed by any taxing authority upon this merchandise or the sale or manufacture thereof.

## PRODUCT SPECIFICATION

HLC reserves the right to discontinue items, modify designs, and change specifications or prices without incurring obligation.

## INVOICING

All invoices are due and payable per the standard terms stated herein. In the case of an apparent discrepancy in a line item charge, Buyer is obligated to advise HLC Customer Service in writing of the nature of the claimed discrepancy within five (5) days of receipt of the invoice. This includes all requests for proof of delivery. A claim of discrepancy does not relieve Buyer of the absolute obligation to pay the remaining balance of the invoice in accordance with the standard terms of payment. HLC, after review, will have sole discretion to resolve the discrepancy; and the Buyer expressly agrees to abide by HLC's decision. HLC will promptly advise Buyer of its decision regarding any disputed items or charges.

## OSHA

HLC warrants that at time of shipment, the equipment will conform to the applicable occupational safety and health standards promulgated pursuant to the Federal Occupational Safety and Health Act of 1970, which are in effect on the date that HLC enters its acknowledgment of Buyer's order. The Buyer's exclusive remedy and HLC's liability for breach of this warranty is limited to replacement of the nonconforming equipment.

## FAIR LABOR STANDARDS ACT AS AMENDED

HLC represents that any goods to be delivered hereunder will be produced in compliance with the requirements of the Fair Labor Standards Act of 1938, as amended.

## NOTE

These Terms and Conditions supersede all those published and issued previously by Hubbell Lenoir City, Inc., Quazite, CDR Systems, CDR, Polycast, Electrimold, Custom Composites, Western Power Products, Comcore, Hotbox, Windbreaker and Jandec.

Effective November 1, 2009

